

2MP ColorHunter With Smart Dual Light Turret Analog Camera

UAC-T142-AF28(40)LM-DL



Overview

UAC-T142-AF28(40)LM-DL is a 2MP ColorHunter with smart dual light turret analog camera with a high-performance 1/3-inch CMOS sensor and 3D noise reduction technology. It supports TVI/AHD/CVI/CVBS, which effectively enhances product adaptability and diversity of networking solutions. With SYV-75-3 or other coaxial cable types, the camera can achieve low-cost, long-distance, and anti-interference mega-pixel HD video transmission without time delay. The camera also supports audio input and synchronous transmission of audio and video. With UNV XVR, our ColorHunter cameras equipped with Smart Dual Light can intelligently switch between IR and white light when detecting a target or not, offering flexible lighting options and enhancing security.

Features

- High quality imaging with 2MP resolution
- TVI/AHD/CVI/CVBS
- Supports IR-cut filter with auto-switch (ICR)
- Smart Dual Light (only TVI)
- 3D noise reduction technology delivers clean and sharp images
- Supports 180 horizontal flip, 180 vertical flip
- OSD configuration menu, easy to operate
- IP67 waterproof and dustproof design, high reliability
- OSD configuration menu in 11 languages

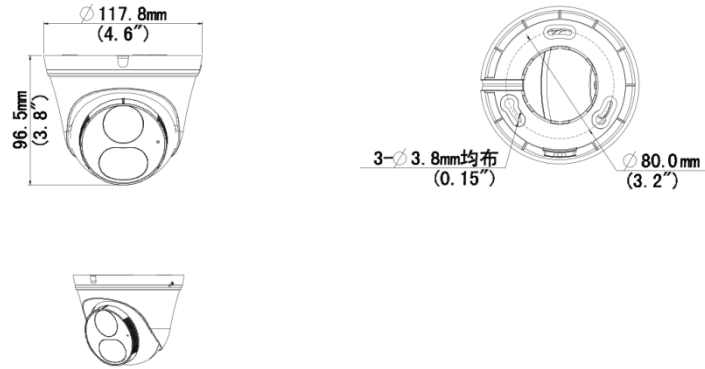
- Built-in microphone for high quality audio transmission via coaxial cables

Specifications

Sensor	Description
Pixel	UAC-T142-AF28LM-DL:2MP
Sensor Size	UAC-T142-AF28LM-DL:1/3.0" CMOS
Min. Illumination	UAC-T142-AF28LM-DL:0.003 lux (F1.6, AGC ON) 0 lux (Illuminator ON)
Lens	Description
Focus	UAC-T142-AF28LM-DL:2.8 mm
Lens Mount	UAC-T142-AF28LM-DL:M12
Angle of View (H)	UAC-T142-AF28LM-DL:100.9°
Angle of View (V)	UAC-T142-AF28LM-DL:56.5°
Angle of View (D)	UAC-T142-AF28LM-DL:121.8°
Illuminator	Description
Illuminator Number	UAC-T142-AF28LM-DL:Two IR illuminators; Two white-light illuminators
Illumination Distance	UAC-T142-AF28LM-DL:IR: 40m (131.23 ft) White light: 40m (131.23ft)
Lifetime	UAC-T142-AF28LM-DL:≥60000 hours
Video	Description
Resolution	UAC-T142-AF28LM-DL:1080P: 1920(H)×1080(V) 720P: 1280(H) × 720(V)
Frame Rate	UAC-T142-AF28LM-DL:TVI: 1080P@25fps (default), 1080P@30fps; 720P@25fps, 720P@30fps AHD: 1080P@25fps, 1080P@30fps; 720P@25fps, 720P@30fps CVI: 1080P@25fps, 1080P@30fps; 720P@25fps, 720P@30fps CVBS: PAL, NTSC
Shutter Time	UAC-T142-AF28LM-DL:PAL: 1/25s-1/50000s, NTSC: 1/30s-1/50000s
Image	Description
Exposure Mode	UAC-T142-AF28LM-DL:Four modes: Global(default), BLC, HLC, DWDR
Day/Night	UAC-T142-AF28LM-DL:Three modes: Auto (default), Day, Night
Digital Noise Reduction	UAC-T142-AF28LM-DL:2D/3D

White Balance	UAC-T142-AF28LM-DL:Two modes: Auto (default), Manual
WDR	UAC-T142-AF28LM-DL:DWDR
Light Mode	UAC-T142-AF28LM-DL:Dual light (default) , Infrared, White light
Flip	UAC-T142-AF28LM-DL:Supports 180°horizontal flip, 180°vertical flip
Digital Defog	UAC-T142-AF28LM-DL:N/A
Audio	Description
Built-in Mic	UAC-T142-AF28LM-DL:Support
Camera Audio	UAC-T142-AF28LM-DL:TVI: 1080P@25fps, 1080P@30fps CVI: 1080P@25fps, 1080P@30fps
Interface	Description
Power Interface	UAC-T142-AF28LM-DL:5.5 mm Power Interface
Video Output	UAC-T142-AF28LM-DL:BNC, supports TVI/AHD/CVI/CVBS
Operating Environment	Description
Temperature	UAC-T142-AF28LM-DL:-30 °C ~ 60 °C (-22 °F ~ 140 °F)
Humidity	UAC-T142-AF28LM-DL:≤95% RH (non-condensing)
Surge Protection	UAC-T142-AF28LM-DL:4kV for power&4kV for video output interfaces
General	Description
Power	UAC-T142-AF28LM-DL:DC12V±25%
Power Consumption	UAC-T142-AF28LM-DL:MAX 3.6W
Mount	UAC-T142-AF28LM-DL:Corner Mount&Pole Mount&Wall Mount&Pendant Mount
Dimensions	UAC-T142-AF28LM-DL:Φ 117.8mm*96.5mm (diameter*height)
Material	UAC-T142-AF28LM-DL:Metal + Plastic
Weight	UAC-T142-AF28LM-DL:239g(0.53lb)
OSD Menu Language	UAC-T142-AF28LM-DL:11 Languages English, German, Spanish (Latin America), French, Italian, Japanese, Korean, Polish, Portuguese (Brazil), Russian, Turkish
Certification	Description
EMC	UAC-T142-AF28LM-DL:CE-EMC (EN 55032, EN 61000-3-3, EN IEC 61000-3-2, EN 55035); FCC (FCC 47 CFR part15 B)
Safety	UAC-T142-AF28LM-DL:CE-LVD (EN 62368-1)
Environment	UAC-T142-AF28LM-DL:CE-RoHS (2011/65/EU;(EU)2015/863); WEEE (2012/19/EU)
Protection	UAC-T142-AF28LM-DL:IP67 (IEC 60529)

Dimensions



Zhejiang Uniview Technologies Co., Ltd.

No. 369, Xietong Road, Xixing Sub-district, Binjiang District, Hangzhou City, 310051, Zhejiang Province, China

Email: overseasbusiness@uniview.com; globalsupport@uniview.com

<http://www.uniview.com>

©2024 Zhejiang Uniview Technologies Co., Ltd. All rights reserved.

*Product specifications and availability are subject to change without notice.

*Despite our best efforts, technical or typographical errors may exist in this document. Uniview cannot be held responsible for any such errors and reserves the right to change the contents of this document without prior notice.