

Desktop Mifare Card Enroller

OEC-W2D-M



Overview

OEC-W2D-M-NB desktop Mifare card enroller can read card numbers and write data to the specified sectors of a card to achieve both read and write functions. The device is often used with UNV Guard and EZAccess.

Features

- Supports USB power supply.
- Supports Mifare card.
- Supports reading card numbers and writing data to a card's specified sectors.

Specifications

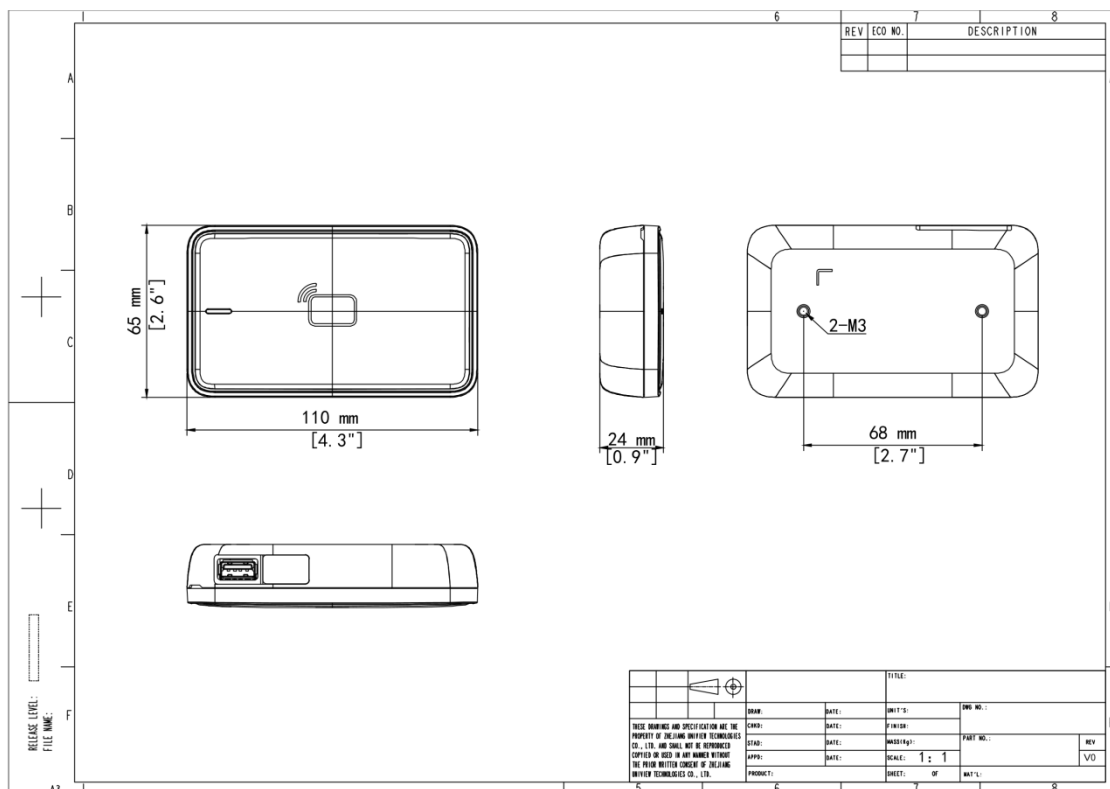
Model	OEC-W2D-M
Hardware Specification	
Material	PC
Weight	0.17kg (with package), 0.058kg (net weight)
Mount Method	Desktop mount
Power Supply	Voltage: DC 5V (powered by USB), current \leq 116mA
Operating Frequency	13.56MHz
Reading Distance	IC card: \leq 3cm
Operating Environment	Temperature: -30°C to 65°C, humidity: 10% to 90%
Dimensions (L x W x H)	110mm*65mm*24mm

Interface	USB (plug and play, driver-free)
Basic Business	
Card Protocol	ISO 14443-A, ISO 14443-B
Reading Time	< 1s
Data Format	10-digit decimal card number
Specification Index	
Application Scenario	Indoors

Ordering Info

Product Model	Description
OEC-W2D-M	Desktop Mifare Card Issuer

Dimensions



Zhejiang Uniview Technologies Co., Ltd.

No. 369, Xietong Road, Xixing Sub-district, Binjiang District, Hangzhou City, 310051, Zhejiang Province, China

Email: overseasbusiness@uniview.com; globalsupport@uniview.com

<http://www.uniview.com>

©2023-2025 Zhejiang Uniview Technologies Co., Ltd. All rights reserved.

*Product specifications and availability are subject to change without notice.

*Despite our best efforts, technical or typographical errors may exist in this document. Uniview cannot be held responsible for any such errors and reserves the right to change the contents of this document without prior notice.