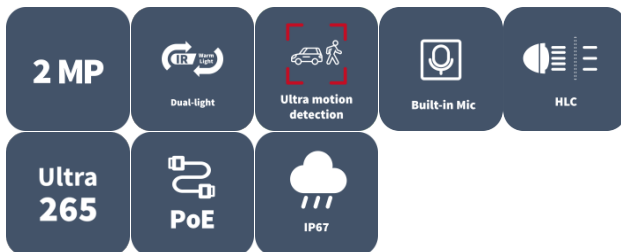


2MP HD Smart Dual Light Fixed Bullet Network Camera IPC2122LB-AF28(40)K-DL2



Features

- High quality image with 1080P, 1/3.0" CMOS sensor
- 1080P (1920 × 1080)@25/30 fps; 720P (1280 × 720)@25/30 fps
- Smart dual-light ensures high quality image
- Ultra 265, H.265, H.264
- Supports ultra motion detection
- Built-in mic
- Up to 30 m (98.4 ft.) IR and warm light distance
- MicroSD, up to 512 GB
- IP67 protection
- 3-axis
- Supports PoE power supply

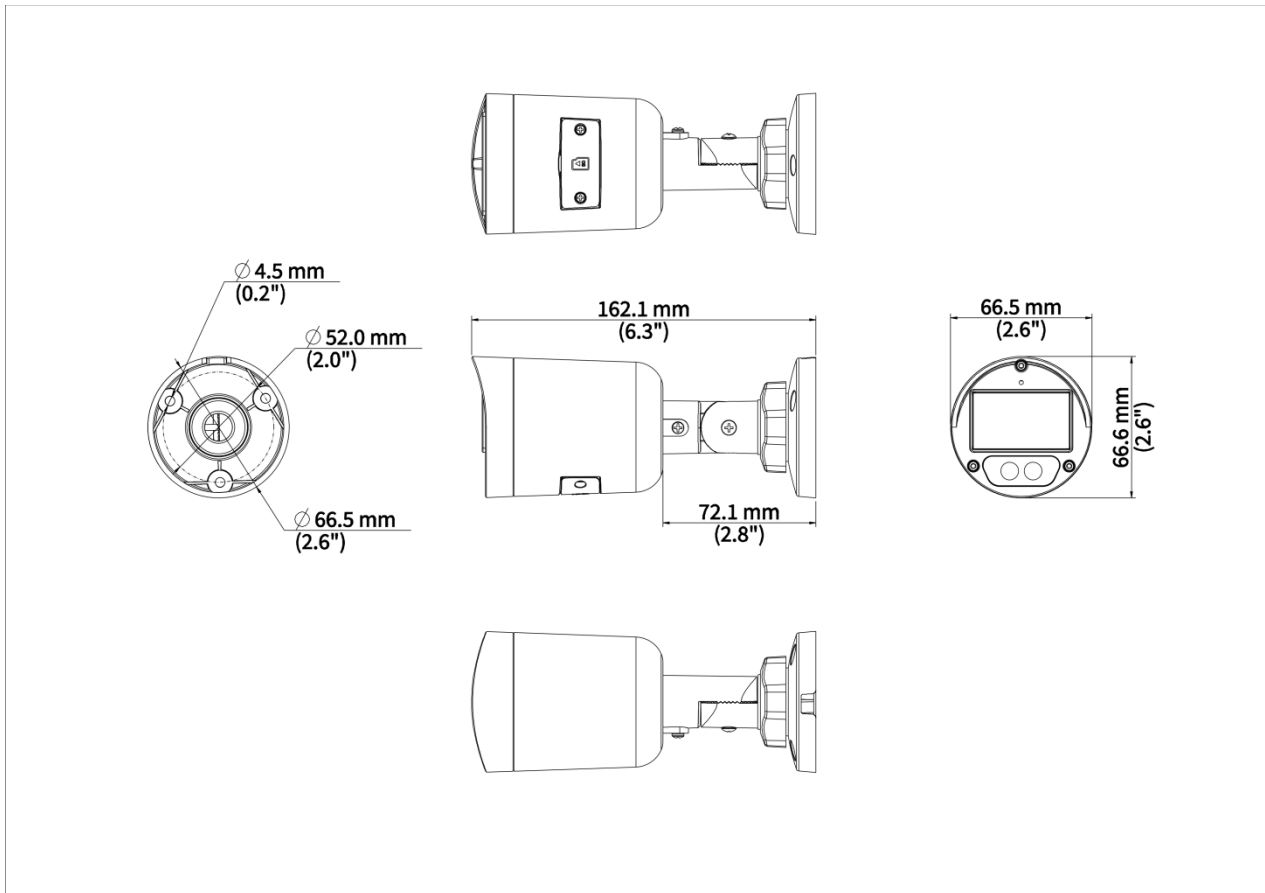
Specifications

Model	IPC2122LB-AF28K-DL2	IPC2122LB-AF40K-DL2
Camera		
Max Resolution		2 MP
Sensor		1/3.0" CMOS
Min. Illumination		Color: 0.005 Lux (F1.6, AGC ON), 0 Lux with light
Day/Night		IR-cut filter with auto switch (ICR)
Shutter		Auto/Manual, 1 ~ 1/100000s
Adjustment Angle		Pan: 0° to 360°, Tilt: 0° to 90°, Rotate: 0° to 360°
S/N		>52 dB
WDR		DWDR
Lens		
Focal Length		4.0 mm
Iris Type		Fixed
Iris		F1.6
Field of View (H)		74.9°
Field of View (V)		39.6°
Field of View (D)		84.7°
Lens Type		Fixed
DORI		
DORI Distance (Lens)		4 mm
DORI Distance (Detect)		66.7 m (218.8 ft.)
DORI Distance (Observe)		26.7 m (87.6 ft.)
DORI Distance (Recognize)		13.3 m (43.6 ft.)
DORI Distance (Identify)		6.7 m (22.0 ft.)
Illuminator		
Supplemental Light		Dual light
Illumination Distance (IR)		30 m (98.4 ft.)
Illumination Distance (Warm Light)		30 m (98.4 ft.)
Wavelength		850 nm
Video		
Video Compression		Ultra 265 H.265 H.264
H.264 Code Profile		Baseline profile, Main profile, High profile
Frame Rate		Main Stream: 1080P (1920 × 1080), max. 30 fps; 720P (1280 × 720), max. 30 fps Sub Stream: 640 × 360, max. 30 fps; 2CIF (704 × 288), max. 30 fps; CIF (352 × 288), max. 30 fps
Video Bit Rate		128 Kbps to 6144 Kbps
U-code		Support
OSD		Up to 4 OSDs
Privacy Mask		Up to 4 areas

ROI		Support
Video Stream		Dual streams
Image		
White Balance		Auto Outdoor Fine tune Sodium lamp Locked Auto2 Area white balance
Digital Noise Reduction		2D/3D DNR
Smart IR		Support
Flip		Normal Flip vertical Flip horizontal 180°
Dewarping		N/A
HLC		Support
BLC		Support
Defog		Digital defog
Image Stabilization		N/A
Events		
Basic Detection		Ultra motion detection Motion detection Audio detection Tampering alarm
General Function		Watermark IP address filtering Access policy ARP protection RTSP authentication User authentication HTTP authentication
Audio		
Audio Compression		G.711U G.711A
Audio Bitrate		64 Kbps
Two-way Audio		N/A
Suppression		Support
Sampling Rate		8 kHz
Storage		
Edge Storage		MicroSD, up to 512 GB
Network Storage		ANR NAS (NFS)
Network		
Protocols		IPv4 IGMP ICMP ARP TCP UDP DHCP RTSP RTSP RTCP RTMP DNS DDNS NTP UPnP HTTP HTTPS QoS SSL/TLS SNMP
Compatible Integration		API SDK
User/Host		Up to 32 users. 3 user levels: administrator, common user and operator
Security		Password Protection Strong Password HTTPS Encryption Export Operation Logs Basic and Digest Authentication for RTSP Digest Authentication for HTTP TLS 1.2 WSSE and Digest Authentication for ONVIF
Client		EZStation APP
Web Browser		Plug-in required live view: IE 10+, Chrome 45+,

		Firefox 52+, Edge 79+ Plug-in free live view: Chrome 57+, Firefox 58+, Edge 16+
Interface		
Audio I/O		N/A
Alarm I/O		N/A
Serial Port		N/A
Built-in Mic		Support
Built-in Speaker		N/A
WIFI		N/A
Network		1 × RJ45 10 M/100 M Base-TX Ethernet
Video Output		N/A
Certification		
EMC		CE-EMC (EN 55032, EN 61000-3-3, EN IEC 61000-3-2, EN 50130-4) FCC (FCC 47 CFR part15 B)
Safety		CE LVD (EN 62368 1) UL/CUL (UL 62368 1, CAN/CSA C22.2 No. 62368 1)
Environment		CE-RoHS (2011/65/EU;(EU)2015/863); WEEE (2012/19/EU);
Protection		IP67 (IEC 60529)
General		
Power		DC 12 V±25%, PoE (IEEE 802.3af)
Power Consumption		Max. 4.4 W
Power Interface		Ø5.5 mm coaxial power plug
Dimensions		162.1 mm × 66.5 mm × 66.6 mm (6.3" × 2.6" × 2.6") (L × W × H)
Weight		0.21 kg (0.46 lb.)
Material		Graphene + Plastic
Storage Environment		-30 °C to 60 °C (-22 °F to 140 °F), Humidity: ≤ 95% RH (non-condensing)
Working Environment		-30 °C to 60 °C (-22 °F to 140 °F), Humidity: ≤ 95% RH (non-condensing)
Surge Protection		4 KV
Reset Button		Support
Web Client Language		4 Languages: English, Russian, Spanish, Vietnamese

Dimensions



Accessories

<p>TR-JB05-B-IN Small Bullet Junction Box(Elegant White)</p>	<p>TR-A01-IN NPT 3/4" Waterproof Cable Gland</p>	<p>TR-UP06-C-IN-V2 Pole Mounting Bracket for Bullet Junction Box Only</p>
		
<p>TR-UC08-C-V2 Bullet&Dome Corner Mounting Bracket</p>		
		

Unlimited New View

Zhejiang Uniview Technologies Co., Ltd.



<http://www.uniview.com>



overseasbusiness@uniview.com; globalsupport@uniview.com



No. 369, Xietong Road, Xixing Sub-district, Binjiang District, Hangzhou City, 310051, Zhejiang Province, China



©2023-2025 Zhejiang Uniview Technologies Co., Ltd. All rights reserved.

*Product specifications and availability are subject to change without notice.

Despite our best efforts, technical or typographical errors may exist in this document. Uniview cannot be held responsible for any such errors and reserves the right to change the contents of this document without prior notice.