

8MP LightHunter WDR Network Bullet Camera

IPC268EA



Features

- High quality image with 8 MP, 1/1.8" CMOS sensor
- 3840*2160@60fps in the main stream, offering smoother live video and more details
- Ultra 265, H.265, H.264, MJPEG
- -ISP technology, comprehensive improvement in image quality
- Metadata analyse, support human body, , motor vehicle and non-motor vehicle image capture and attribute collection, realize data visualization management, allow users to get target information for further data analysis
- face detection, support front-end face detection comparison, support blocklist and allowlist comparison, increases the concurrent detection number up to 120
- Smart intrusion prevention, support false alarm filtering, include Cross Line, Intrusion, Enter Area, Leave Area detection
- People Counting, support people flow counting and crowd density monitoring, suitable for different statistical scenarios
- LightHunter technology ensures ultra-high image quality in low illumination environment
- Up to 140 dB Optical WDR (Wide Dynamic Range)

- DC12V or PoE (IEEE 802.3at) power supply
- Wide voltage range of $\pm 25\%$ in DC

Specifications

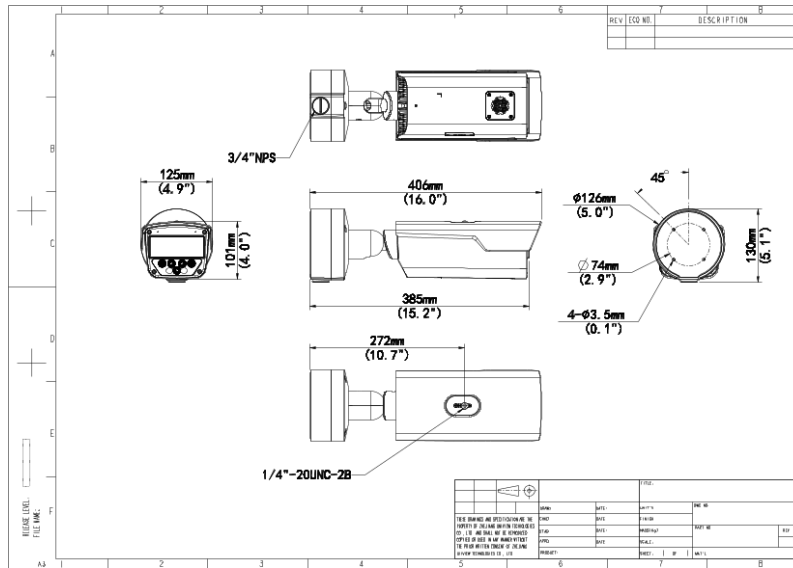
| Camera | Description |
|---------------------------|--|
| Sensor | 1/1.8" CMOS |
| Min. Illumination | IPC268EA-AHDZK-I1:Colour:0.001 lux (F1.2, AGC ON) B/W:0.0005 lux (F1.2, AGC ON) 0 lux with IR IPC268EA-AHDX4K-I1:Colour:0.003 lux (F1.6, AGC ON) B/W:0.002 lux (F1.6, AGC ON) 0 lux with IR |
| Day/Night | IR-cut filter with auto switch (ICR) |
| Shutter | Auto/Manual, 1 ~ 1/100000s |
| WDR | 140dB |
| S/N | >56dB |
| Lens | Description |
| Focal Length | IPC268EA-AHDZK-I1:2.8 ~ 12 mm IPC268EA-AHDX4K-I1:8 ~ 32 mm |
| Optical Zoom | 4X |
| Iris | IPC268EA-AHDZK-I1:F1.2 IPC268EA-AHDX4K-I1:F1.6 |
| Iris Type | P-iris |
| DORI | Description |
| DORI Distance (Detect) | IPC268EA-AHDZK-I1:108.0m(354.3ft)~180.0m(590.6ft) IPC268EA-AHDX4K-I1:240.3m(788.4ft)~644.4m(2114.2ft) |
| DORI Distance (Observe) | IPC268EA-AHDZK-I1:43.2m(141.7ft)~72.0m(236.2ft) IPC268EA-AHDX4K-I1:96.1m(315.4ft)~257.8m(845.7ft) |
| DORI Distance (Recognize) | IPC268EA-AHDZK-I1:21.6m(70.9ft)~36.0m(118.1ft) IPC268EA-AHDX4K-I1:48.1m(157.7ft)~128.9m(422.8ft) |
| DORI Distance (Identify) | IPC268EA-AHDZK-I1:10.8m(35.4ft)~18.0m(59.1ft) IPC268EA-AHDX4K-I1:24.0m(78.8ft)~64.4m(211.4ft) |

| Illuminator | Description |
|----------------------------|--|
| Illumination Distance (IR) | IPC268EA-AHDZK-I1:60 m (196.9 ft) IPC268EA-AHDX4K-I1:120 m (393.7 ft) |
| IR On/Off Control | Auto/Manual |
| Wavelength | 850 nm |
| Video | Description |
| Frame Rate-Main Stream | 8MP(3840*2160), Max 60fps |
| Frame Rate-Sub Stream | 2MP(1920*1080), Max 60fps |
| Video Compression | Ultra 265; H.265; H.264; MJPEG |
| Privacy Mask | Up to 8 areas (8 blacks / 8 mosaics) |
| Video Bit Rate | 128 Kbps ~ 16 Mbps |
| Frame Rate-Third Stream | D1 (720*576), Max 60fps |
| ROI | Support |
| Video Stream | Triple Streams |
| OSD | Up to 10 OSDs |
| Intelligent | Description |
| Metadata Analyse | Support human body, , motor vehicle and non-motor vehicle image capture and attribute collection |
| Recognition | face detection: Max support 16 face libraries; Max supports 100000 faces in face library |
| People Counting | Support People Flow Counting and Crowd Density Monitoring |
| Exception Detection | IPC268EA-AHDZK-I1:Object Removed,Object Left Behind; Scene Change; Defocus Detection IPC268EA-AHDX4K-I1:Object Removed,Object Left Behind |
| Smart Intrusion Prevention | Cross line detection, Intrusion detection, Enter area detection, Leave area detection (support false alarm filtering and the classification of human, non-motor vehicle and vehicle) |
| Image | Description |
| White Balance | Auto&Outdoor&Fine Tune&Sodium Lamp&Locked&Auto2 |
| Digital Noise Reduction | 2D/3D DNR |
| Smart IR | Support |
| Flip | Normal&Flip Vertical&Flip Horizontal&180°&90°Clockwise&90°Anti-clockwise |
| HLC | Support |
| Defog | Digital Defog |

| Events | Description |
|------------------------|--|
| Basic Detection | IPC268EA-AHDZK-I1:Motion Detection; Tampering Alarm; Audio Detection; Object Removed; Object Left Behind; Scene Change; Defocus Detection IPC268EA-AHDX4K-I1:Motion Detection; Tampering Alarm; Audio Detection; Object Removed; Object Left Behind |
| General Function | Watermark&IP Address Filtering&Access Policy&ARP Protection&RTSP Authentication&User Authentication&HTTP authentication&Alarm input&Alarm output |
| Audio | Description |
| Audio Compression | G.711U&G.711A |
| Audio Bitrate | 128 Kbps |
| Two-way Audio | Support |
| Suppression | Support |
| Sampling Rate | 16KHZ |
| Storage | Description |
| Edge Storage | Micro SD, up to 512 GB |
| Network Storage | ANR; NAS (NFS) |
| Network | Description |
| Protocols | IGMP, RTP, SMTP, IPv4, IPv6, ICMP, ARP, TCP, UDP, DHCP, PPPoE, RTSP, RTCP, RTMP, DNS, DDNS, NTP, FTP, UPnP, HTTP, HTTPS, 802.1x, SNMP, QoS, SSL/TLS, SSH, TLS1.3 |
| Compatible Integration | ONVIF (Profile S, Profile G, Profile T, Profile M); API; SDK |
| User/Host | Up to 32 users. 3 user levels: administrator, common user and operator |
| Security | Password Protection; Strong Password; HTTPS Encryption; Export Operation Logs; Basic and Digest Authentication for RTSP; Digest Authentication for HTTP; TLS 1.2; WSSE and Digest Authentication for ONVIF; TLS1.3 |
| Client | EZStation; UNV-Link; UNV-Link Pro |
| Web Browser | Plug-in required live view: IE 10 and above, Chrome 45 and above, Firefox 52 and above, Edge 79 and above&Plug-in free live view: Chrome 57.0 and above, Firefox 58.0 and above, Edge 16 and above |
| Interface | Description |
| Audio I/O | 2 Input: impedance 1k Ω ; amplitude 2.5V [p-p]; 1 Output: impedance 600 Ω ; amplitude 2.5V [p-p] |
| Alarm I/O | 3/2 |

| | |
|----------------------|---|
| Serial Port | 1 channel RS485 interface |
| Built-in Mic | Support, built-in mic*2 |
| Built-in Speaker | Support |
| Network | 1 * RJ45 10M/100M/1000M Base-TX Ethernet |
| Certification | Description |
| EMC | CE-EMC (EN 55032: 2015+A1:2020,EN 61000-3-3: 2013+A1: 2019,EN IEC 61000-3-2: 2019+A1: 2021,EN 55035: 2017+A11:2020) FCC (FCC CFR 47 part15 B, ANSI C63.4-2014) |
| Safety | CE LVD (EN 62368-1:2014+A11:2017) UL (UL 62368-1, 3rd Ed., 2021-10-22) |
| Environment | CE-RoHS (2011/65/EU;(EU)2015/863); WEEE (2012/19/EU); Reach (Regulation (EC) No 1907/2006) |
| Protection | IP67 (IEC 60529:1989+AMD1:1999+AMD2:2013) IK10 (IEC 62262:2002) |
| General | Description |
| Power | DC12V(±25%) , PoE+ (IEEE 802.3at) |
| Power Consumption | IPC268EA-AHDZK-I1:Max 16W IPC268EA-AHDX4K-I1:Max 19W |
| Heater | Support |
| Power Interface | Ø 5.5 mm coaxial power plug |
| Dimensions | 406 x 126 x 130 mm (16.0" x 5.0" x 5.1") (L x W x H) |
| Weight | 1.92kg(4.23lb) |
| Working Environment | -40 °C ~ 60 °C (-40 °F ~ 140 °F), Humidity: ≤95% RH (non-condensing) |
| Surge Protection | 6KV |

Dimensions



Zhejiang Uniview Technologies Co., Ltd.

No. 369, Xietong Road, Xixing Sub-district, Binjiang District, Hangzhou City, 310051, Zhejiang Province, China (Zhejiang) Pilot Free Trade Zone, China

Email: overseasbusiness@uniview.com; globalsupport@uniview.com

<http://www.uniview.com>

©2024 Zhejiang Uniview Technologies Co., Ltd. All rights reserved.

*Product specifications and availability are subject to change without notice.

*Despite our best efforts, technical or typographical errors may exist in this document. Uniview cannot be held responsible for any such errors and reserves the right to change the contents of this document without prior notice.