

# 5MP HD Intelligent Light and Audible Warning Fixed Bullet Network Camera

IPC2B15SS-ADF28(40)KMC-I1



## Features

- High quality image with 5MP, 1/2.7"CMOS sensor
- 5MP (2880\*1620)@ 30/25(default)fps; 4MP (2560\*1440)@ 30/25fps; 3MP (2304\*1296) @30/25fps; 2MP (1920\*1080) @30/25fps
- Ultra 265, H.265, H.264, MJPEG
- Intelligent perimeter protection, include cross line, intrusion, enter area, leave area detection
- Based on target classification, smart intrusion prevention significantly reduce false alarm caused by leaves, birds and lights etc., accurately focus on human and, motor vehicle and non-motor vehicle
- Intelligent People Flow Counting and Crowd Density Monitoring
- Smart intrusion prevention with Color retrieval
- Auto Scene Match (ASM) (Only WDR)
- 130dB true WDR technology enables clear image in strong light scene
- Support red & blue warning light
- Support 9:16 Corridor Mode
- Alarm:1 in/1 out, Audio: 1 in/1 out, Built-in Mic and Speaker

- Smart IR, up to 40m (131 ft) IR distance
- Supports 512 G Micro SD card
- IP67 protection

## Specifications

Camera	Description
Max Resolution	IPC2B15SS-ADF28KMC-I1:5MP
Sensor	IPC2B15SS-ADF28KMC-I1:1/2.7" CMOS
Min. Illumination	IPC2B15SS-ADF28KMC-I1:Colour: 0.001 lux ( F1.0, AGC ON) 0 Lux with light
Day/Night	IPC2B15SS-ADF28KMC-I1:IR-cut filter with auto switch (ICR)
Shutter	IPC2B15SS-ADF28KMC-I1:Auto/Manual, 1 ~ 1/100000s
Adjustment Angle	IPC2B15SS-ADF28KMC-I1:Pan: 0° ~ 360°, Tilt: 0° ~ 90°, Rotate: 0° ~ 360°
S/N	IPC2B15SS-ADF28KMC-I1:>56dB
WDR	IPC2B15SS-ADF28KMC-I1:130dB
Lens	Description
Focal Length	IPC2B15SS-ADF28KMC-I1:2.8 mm
Iris Type	IPC2B15SS-ADF28KMC-I1:Fixed
Iris	IPC2B15SS-ADF28KMC-I1:F1.0
Field of View (H)	IPC2B15SS-ADF28KMC-I1:112.8°
Field of View (V)	IPC2B15SS-ADF28KMC-I1:59.4°
Field of View (D)	IPC2B15SS-ADF28KMC-I1:116.3°
DORI	Description
DORI Distance(Lens)	IPC2B15SS-ADF28KMC-I1:2.8mm
DORI Distance(Detect)	IPC2B15SS-ADF28KMC-I1:63.0m(206.7ft)
DORI Distance(Observe)	IPC2B15SS-ADF28KMC-I1:25.2m(82.7ft)
DORI Distance(Recognize)	IPC2B15SS-ADF28KMC-I1:12.6m(41.3ft)
DORI Distance(Identify)	IPC2B15SS-ADF28KMC-I1:6.3m(20.7ft)
Illuminator	Description
Supplemental Light	IPC2B15SS-ADF28KMC-I1:Dual Light
Illumination Distance(IR)	IPC2B15SS-ADF28KMC-I1:IR 40 m, Warm Light 40 m

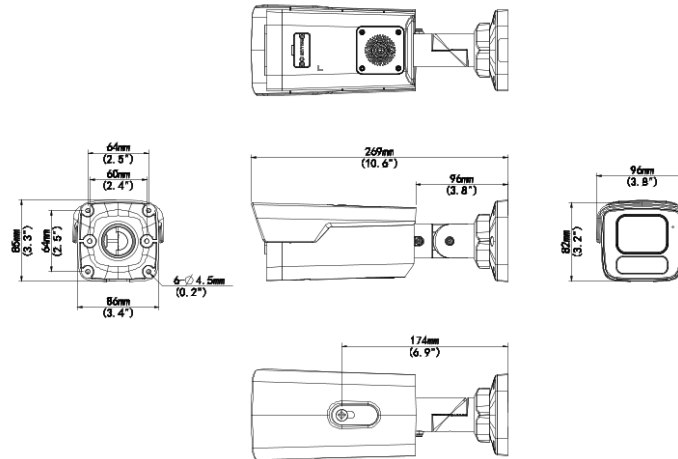
Illumination Distance(Warm Light )	IPC2B15SS-ADF28KMC-I1:IR 40 m, Warm Light 40 m
IR On/Off Control	IPC2B15SS-ADF28KMC-I1:Auto/Manual
Wavelength	IPC2B15SS-ADF28KMC-I1:850 nm
Light On/Off Control	IPC2B15SS-ADF28KMC-I1:Auto/Manual
<b>Video</b>	<b>Description</b>
Video Compression	IPC2B15SS-ADF28KMC-I1:Ultra 265; H.265; H.264; MJPEG
H.264 Code Profile	IPC2B15SS-ADF28KMC-I1:Baseline profile, Main profile, High profile
Frame Rate	IPC2B15SS-ADF28KMC-I1:Main Stream:5MP (2880*1620), Max 30fps; 4MP (2560*1440), Max 30fps; 3MP (2304*1296), Max 30fps; 1080P (1920*1080), Max 30fps; 720P (1280*720), Max 30fps; Sub Stream: 1080P (1920*1080), Max 30fps; 720P (1280*720), Max 30fps; D1 (720*576), Max 30fps; 640*360, Max 30fps; 2CIF(704*288), Max 30fps; CIF(352*288), Max 30fps; Third Stream: D1 (720*576), Max 30fps; 640*360,Max 30fps; 2CIF(704*288), Max 30fps; CIF(352*288), Max 30fps;
Video Bit Rate	IPC2B15SS-ADF28KMC-I1:128 Kbps ~ 16 Mbps
U-code	IPC2B15SS-ADF28KMC-I1:Support
OSD	IPC2B15SS-ADF28KMC-I1:Up to 8 OSDs
Privacy Mask	IPC2B15SS-ADF28KMC-I1:Up to 4 areas
ROI	IPC2B15SS-ADF28KMC-I1:Support
Video Stream	IPC2B15SS-ADF28KMC-I1:Triple Streams
<b>Image</b>	<b>Description</b>
Auto Scene Match (ASM)	IPC2B15SS-ADF28KMC-I1:Support (Only WDR)
White Balance	IPC2B15SS-ADF28KMC-I1:Auto; Outdoor; Fine Tune; Sodium Lamp; Locked; Auto2
Digital Noise Reduction	IPC2B15SS-ADF28KMC-I1:2D/3D DNR
Smart IR	IPC2B15SS-ADF28KMC-I1:Support
Flip	IPC2B15SS-ADF28KMC-I1:Normal; Vertical; Horizontal; 180°; 90°Clockwise; 90°Anti-clockwise
Dewarping	IPC2B15SS-ADF28KMC-I1:N/A
HLC	IPC2B15SS-ADF28KMC-I1:Support
BLC	IPC2B15SS-ADF28KMC-I1:Support
Defog	IPC2B15SS-ADF28KMC-I1:Digital Defog
<b>Intelligent</b>	<b>Description</b>

Smart Intrusion Prevention	IPC2B15SS-ADF28KMC-I1:Support False Alarm Filtering: Cross Line Detection, Intrusion Detection, Enter Area Detection, Leave Area Detection
Statistical Analysis	IPC2B15SS-ADF28KMC-I1:People Counting; support people flow counting and crowd density monitoring
Attribute Collection	IPC2B15SS-ADF28KMC-I1:SIP with color retrieval
<b>Events</b>	<b>Description</b>
Basic Detection	IPC2B15SS-ADF28KMC-I1:Motion Detection; Ultra Motion Detection; Tampering Alarm; Audio Detection
General Function	IPC2B15SS-ADF28KMC-I1:Watermark; IP Address Filtering; Access Policy; ARP Protection; RTSP Authentication; User Authentication; HTTP Authentication; Alarm Input; Alarm Output
<b>Audio</b>	<b>Description</b>
Audio Compression	IPC2B15SS-ADF28KMC-I1:G.711U; G.711A
Audio Bitrate	IPC2B15SS-ADF28KMC-I1:64 Kbps
Two-way Audio	IPC2B15SS-ADF28KMC-I1:Support
Suppression	IPC2B15SS-ADF28KMC-I1:Support
Sampling Rate	IPC2B15SS-ADF28KMC-I1:8 KHz
<b>Storage</b>	<b>Description</b>
Edge Storage	IPC2B15SS-ADF28KMC-I1:Micro SD, up to 512 GB
Network Storage	IPC2B15SS-ADF28KMC-I1:ANR; NAS (NFS)
<b>Network</b>	<b>Description</b>
Protocols	IPC2B15SS-ADF28KMC-I1:IPv4; IPv6; IGMP; ICMP; ARP; TCP; UDP; DHCP; PPPoE; RTP; RTSP; RTCP; RTMP; DNS; DDNS; NTP; FTP; UPnP; HTTP; HTTPS; SMTP; 802.1x; SNMP; QoS; SSL/TLS; SSH
Compatible Integration	IPC2B15SS-ADF28KMC-I1:ONVIF (Profile S, Profile G, Profile T); API; SDK
User/Host	IPC2B15SS-ADF28KMC-I1:Up to 32 users. 3 user levels: administrator, common user and operator
Security	IPC2B15SS-ADF28KMC-I1>Password Protection; Strong Password; HTTPS Encryption; Export Operation Logs; Basic and Digest Authentication for RTSP; Digest Authentication for HTTP; TLS 1.2; WSSE and Digest Authentication for ONVIF
Client	IPC2B15SS-ADF28KMC-I1:UNV-Link; UNV-Link Pro; EZStation
Web Browser	IPC2B15SS-ADF28KMC-I1:Plug-in required live view: IE 10 and above, Chrome 45 and above, Firefox 52 and above, Edge 79 and above; Plug-in free live view: Chrome 57.0 and above, Firefox 58.0 and above, Edge 16 and above

Interface	Description
Audio I/O	IPC2B15SS-ADF28KMC-I1:1 Input: impedance 35k $\Omega$ ; amplitude 2V [p-p]; 1 Output: impedance 600 $\Omega$ ; amplitude 2V [p-p]
Alarm I/O	IPC2B15SS-ADF28KMC-I1:1/1
Serial Port	IPC2B15SS-ADF28KMC-I1:N/A
Built-in Mic	IPC2B15SS-ADF28KMC-I1:Support
Built-in Speaker	IPC2B15SS-ADF28KMC-I1:Support
WIFI	IPC2B15SS-ADF28KMC-I1:N/A
Network	IPC2B15SS-ADF28KMC-I1:1 x RJ45 10M/100M Base-TX Ethernet
Video Output	IPC2B15SS-ADF28KMC-I1:N/A
Certification	Description
EMC	IPC2B15SS-ADF28KMC-I1:CE-EMC (EN 55032, EN 61000-3-3, EN IEC 61000-3-2, EN 50130) FCC (FCC 47 CFR part15 B)
Safety	IPC2B15SS-ADF28KMC-I1:CE-LVD (EN 62368-1) CB (IEC 62368-1) UL/CUL (UL 62368-1, CAN/CSA C22.2 No. 62368-1)
Environment	IPC2B15SS-ADF28KMC-I1:CE-RoHS (2011/65/EU;(EU)2015/863); WEEE (2012/19/EU)
Protection	IPC2B15SS-ADF28KMC-I1:IP67 (IEC 60529)
General	Description
Power	IPC2B15SS-ADF28KMC-I1:DC 12V $\pm$ 25%, PoE (IEEE 802.3af) Power consumption: Max 10.0W
Power Interface	IPC2B15SS-ADF28KMC-I1:Ø 5.5 mm coaxial power plug
Dimensions	IPC2B15SS-ADF28KMC-I1:269 $\times$ 96 $\times$ 82mm (10.6" $\times$ 3.8" $\times$ 3.2" )
Weight	IPC2B15SS-ADF28KMC-I1:0.97kg (2.14lb)
Material	IPC2B15SS-ADF28KMC-I1:Metal + Plastic
Working Environment	IPC2B15SS-ADF28KMC-I1:-30 $^{\circ}$ C $\sim$ 60 $^{\circ}$ C (-22 $^{\circ}$ F $\sim$ 140 $^{\circ}$ F), Humidity: $\leq$ 95% RH (non-condensing)
Storage Environment	IPC2B15SS-ADF28KMC-I1:-30 $^{\circ}$ C $\sim$ 60 $^{\circ}$ C (-22 $^{\circ}$ F $\sim$ 140 $^{\circ}$ F), Humidity: $\leq$ 95% RH (non-condensing)
Surge Protection	IPC2B15SS-ADF28KMC-I1:4KV
Reset Button	IPC2B15SS-ADF28KMC-I1:Support
Web Client Language	IPC2B15SS-ADF28KMC-I1:20 Languages Traditional Chinese, English, Simplified Chinese, Polish, German, Russian, French, Korean,

Dutch, Czech, Portuguese (Europe), Portuguese (Brazil), Japanese, Thai, Turkish, Spanish (Latin America), Spanish (Europe), Hungarian, Italian, Vietnamese

## Dimensions



## Accessories

TR-JB07-D-IN

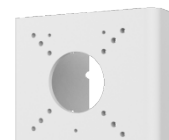
Bullet Junction Box(Support wiring from behind)

TR-JB06-A-IN

Middle Bullet Junction Box(Elegant White)

TR-UP06-B-IN

Bullet Pole Mounting Bracket



TR-UP06-C-IN

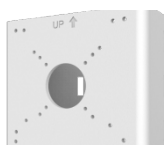
Pole Mounting Bracket for Bullet Junction Box Only

TR-A01-IN

NPT 3/4" Waterproof Cable Gland

TR-UC08-C

Bullet&Dome Corner Mounting Bracket



No. 369, Xietong Road, Xixing Sub-district, Binjiang District, Hangzhou City, 310051, Zhejiang Province, China (Zhejiang) Pilot Free Trade Zone, China

Email: [overseasbusiness@uniview.com](mailto:overseasbusiness@uniview.com); [globalsupport@uniview.com](mailto:globalsupport@uniview.com)

<http://www.uniview.com>

©2023-2024 Zhejiang Uniview Technologies Co., Ltd. All rights reserved.

\*Product specifications and availability are subject to change without notice.

\*Despite our best efforts, technical or typographical errors may exist in this document. Uniview cannot be held responsible for any such errors and reserves the right to change the contents of this document without prior notice.