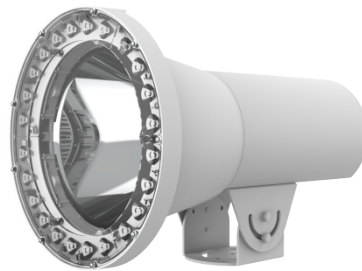


LED Strobe White Light Explosion Flash Integrated Lamp LAMP-H25@B-OS



Features

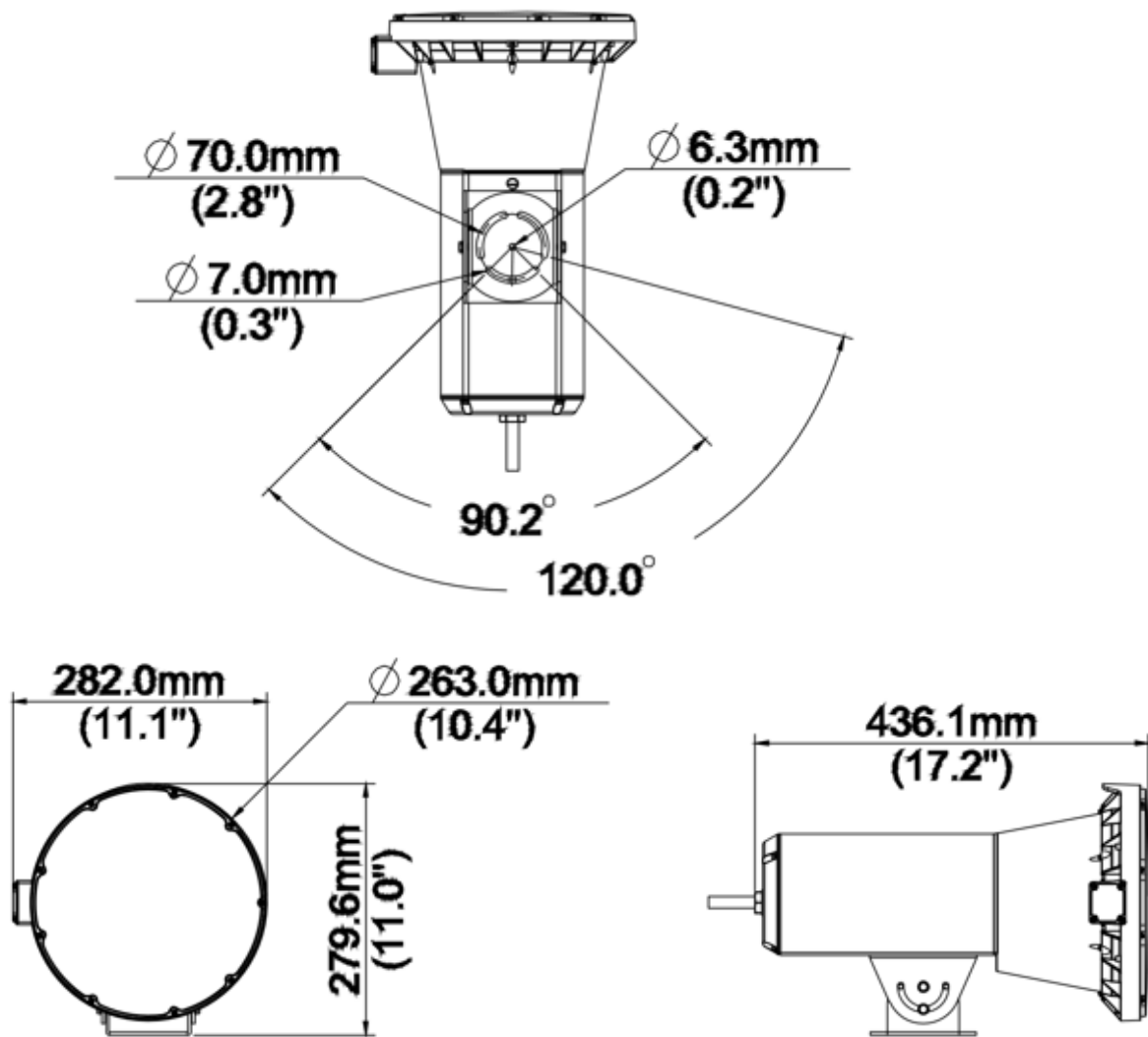
- 24 high-power warm light LEDs.
- The LED flashes synchronously when the xenon light flashes.
- Adjustable flash brightness.
- Unique design and high-performance dedicated components ensure reliable operation in a variety of complex conditions.
- Long lifetime of over 10 million times.
- Stable brightness withstands fluctuations in the power supply voltage.

Specifications

Model	LAMP-H25@B-OS
LED strobe	
Trigger mode	Strobe: TTL level/switch Flash: Switch
White light flash	
Color temperature	Xenon 6000±500K LED 4000±200K
Output energy	Flash 40J to 80J
White light flash lifetime	≥10 million times
Hardware Parameter	
Strobe power	34.5W@3A/40% (active power)
Strobe illumination angle	10°
Flash duration	300us by default
Exposure index	40 to 64 (GN)

Response time	≤55ms (220V)
Interface	1 power input; 1 flash trigger input; 1 strobe trigger input
Operating temperature	-30°C to +60°C
Operating humidity	5% to 95% RH (non-condensing)
Structure	
Power	AC 220V±20%, 40 to 60Hz
Be in common use	
Weight	4.5kg
Dimensions (L × W × H)	436.1mm*282mm*279.6mm
Ingress protection	IP65

Dimensions



Accessories

TR-UP0627

Universal Pole Mounting Bracket(Elegant White,Diameter100-300mm,Domestic Version),Universal Type



Ordering Info

Product Model	Config	Description
LAMP-H25	B-OS	LED Strobe White Light Explosion Flash Integrated Lamp

Unlimited New View

Zhejiang Uniview Technologies Co., Ltd.



<http://www.uniview.com>



overseasbusiness@uniview.com; globalsupport@uniview.com



No. 369, Xietong Road, Xixing Sub-district, Binjiang District, Hangzhou City, 310051, Zhejiang Province, China



©2023-2025 Zhejiang Uniview Technologies Co., Ltd. All rights reserved.

*Product specifications and availability are subject to change without notice.

Despite our best efforts, technical or typographical errors may exist in this document. Uniview cannot be held responsible for any such errors and reserves the right to change the contents of this document without prior notice.