

4 x 5MP MultiView Wise-ISP VF IR Dome Network Camera IPC8645EA-ADZKM-I1



Features

- One IP with four channels
- Supports multiple intelligent functions, different functions of each channel can be enabled at the same time to satisfy various analysis requirements
- Pan, tilt, rotation angle of each lens can be adjusted independently, suitable for more complicated scenes
- 4 channel video output, 2880 × 1620@30 fps in the main stream of each channel, provides high definition image
- Ultra 265, H.265, H.264, MJPEG
- Smart intrusion prevention, supports false alarm filtering, realizes accurate detection based on specific targets
- People counting, supports people flow counting and crowd density monitoring, suitable for different statistical scenarios
- Lighthunter technology ensures ultra-high image quality in low illumination environments
- 130 dB true WDR technology ensures clear image in strong backlight scene
- IP67 ingress and IK10 protection

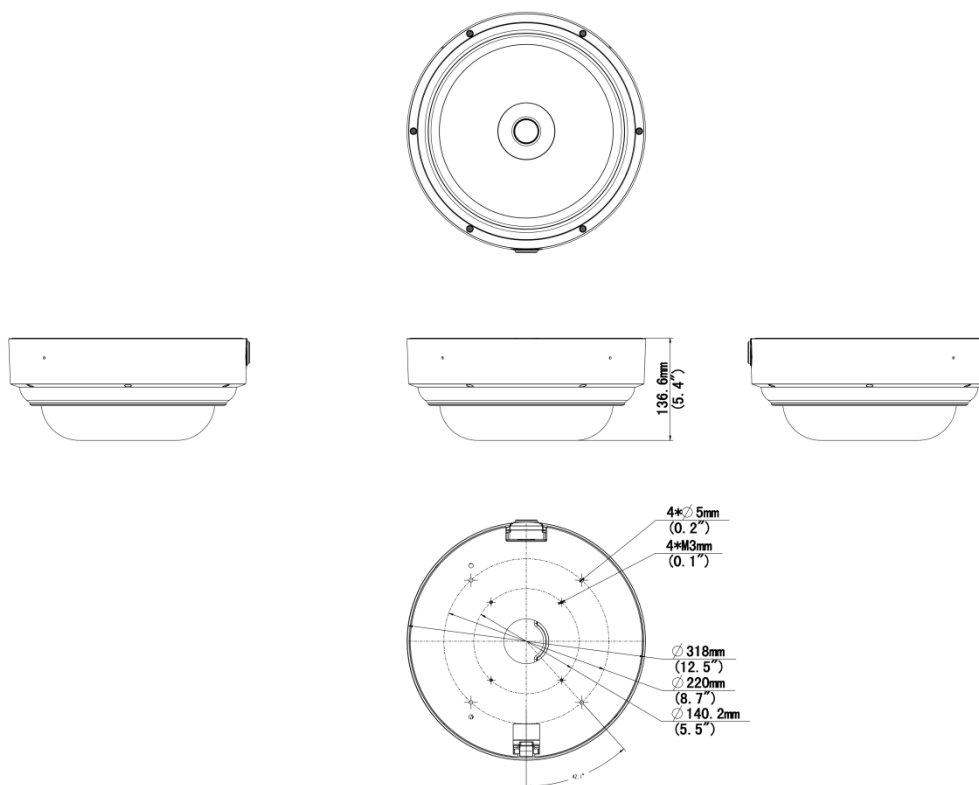
Specifications

Model	IPC8645EA-ADZKM-I1
Camera	
Sensor	1/2.7" CMOS
Min. Illumination	Color: 0.002 Lux (F1.2, AGC ON), 0 Lux with IR on
Day/Night	IR-cut filter with auto switch (ICR)
WDR	130 dB
Adjustment Angle	Pan: 0° to 360°, Tilt: 0° to 65°, Rotate: 0° to 355°
S/N	>56 dB
Lens	
Focal Length	2.7 to 13.5 mm
Optical Zoom	5X
Iris	F1.2 * 4
Field of View (H)	(W) 110.3° to (T) 31°
Field of View (V)	(W) 57.1° to (T) 17.5°
Field of View (D)	(W) 143.4° to (T) 38.1°
Iris Type	Fixed
DORI	
DORI Distance (Detect)	70.9 m to 247.5 m (232.5 ft. to 812.0 ft.)
DORI Distance (Observe)	28.4 m to 99.0 m (93.2 ft. to 324.8 ft.)
DORI Distance (Recognize)	14.2 m to 49.5 m (46.5 ft. to 162.4 ft.)
DORI Distance (Identify)	7.1 m to 24.8 m (23.3 ft. to 81.4 ft.)
Illuminator	
Illumination Distance (IR)	50 m (164.0 ft.)
IR On/Off Control	Auto/Manual
Intelligent	
Exception Detection	Scene change, Defocus detection, Object removed, Object Left Behind
Smart Intrusion Prevention	Cross line detection, intrusion detection, enter area detection, leave area detection (support false alarm filtering and the classification of human, non-motor vehicle and vehicle)
People Counting	Support people flow counting and crowd density detection
Events	
Motion Detection	Support
Tampering Detection	Support
Audio Detection	Support
UMD (Ultra Motion Detection)	Support
Image	
Flip	Normal, Flip vertical, Flip horizontal, 180°, 90° Clockwise, 90° Anti-clockwise
Defog	Digital defog
Network	
Protocols	IPv4, IPv6, IGMP, ICMP, ARP, TCP, UDP, DHCP, PPPoE, RTP, RTSP, RTCP, RTMP, DNS, DDNS, NTP, FTP, UPnP, HTTP, HTTPS, SMTP, 802.1x, SNMP, QoS, SSL/TLS, SSH
Compatible Integration	ONVIF (Profile S, Profile G, Profile T, Profile M), API, SDK

User/Host	Up to 32 users. 3 user levels: administrator, common user and operator
Security	Password protection, Strong password, HTTPS encryption, Export operation logs, Basic and Digest Authentication for RTSP, Digest Authentication for HTTP, TLS 1.2, WSSE and Digest Authentication for ONVIF
Web Browser	Plug-in required live view: IE 10+, Chrome 45+, Firefox 52+, Edge 79+, Plug-in free live view: Chrome 57+, Firefox 58+, Edge 16+
Storage	
Edge Storage	MicroSD, up to 512 GB
Network Storage	ANR, NAS (NFS)
Video	
Video Compression	Ultra 265, H.265, H.264, MJPEG
H.264 Code Profile	Baseline profile, Main profile, High profile
Frame Rate-Main Stream	Channel × 4 5 MP (2880 × 1620), max. 30 fps; 4 MP (2688 × 1520), max. 30 fps; 4 MP (2560 × 1440), max. 30 fps; 3 MP (2304 × 1296), max. 30 fps; 1080P (1920 × 1080), max. 30 fps; 720P (1280 × 720), max. 30 fps; D1 (720 × 576), max. 30 fps; 640 × 360, max. 30 fps; 2CIF (704 × 288), max. 30 fps; CIF (352 × 288), max. 30 fps;
Frame Rate-Sub Stream	Channel × 4 1080P (1920 × 1080), max. 30 fps; 720P (1280 × 720), max. 30 fps; D1 (720 × 576), max. 30 fps; 640 × 360, max. 30 fps; 2CIF (704 × 288), max. 30 fps; CIF (352 × 288), max. 30 fps;
Frame Rate-Third Stream	Channel × 4 D1 (720 × 576), max. 30 fps; 640 × 360, max. 30 fps; 2CIF (704 × 288), max. 30 fps; CIF (352 × 288), max. 30 fps
Frame Rate Recommendation	Channel × 4 2880 × 1620@30 fps + 1080P@30 fps + D1@30 fps
Video Bit Rate	128 Kbps ~ 16 Mbps * 4Channel
U-code	Support
ROI	Support
Video Stream	Triple streams
OSD	Up to 10 OSDs * 4 Channel
Privacy Mask	Up to 8 * 4Channel

Audio	
Audio Compression	G.711U, G.711A
Two-way Audio	Support
Sampling Rate	8 kHz
Interface	
Audio I/O	1 Input: impedance 1 k Ω , amplitude 2.5 V [p-p], 1 Output: impedance 600 Ω , amplitude 2.5 V [p-p]
Alarm I/O	3/2
Built-in Mic	Support
Network	1 \times RJ45 10 M/100 M/1000 M Base-TX Ethernet
Certification	
EMC	CE-EMC (EN 55032, EN 61000-3-3, EN IEC 61000-3-2, EN 50130) FCC (FCC 47 CFR part15 B)
Safety	CE-LVD (EN 62368-1) UL/CUL (UL 62368-1, CAN/CSA C22.2 No. 62368-1)
Environment	CE-RoHS (2011/65/EU;(EU)2015/863); WEEE (2012/19/EU)
Protection	IP67 (IEC 60529), IK10 (IEC 62262)
Other	
Corridor Mode	Support
General	
Power	DC 24 V \pm 25%, AC 24 V \pm 25%, PoE (IEEE 802.3bt)
Built-in DC12V Output	Support
Power Consumption	Max. 31 W
Power Interface	Wires with cold-pressed terminal
Dimensions	\varnothing 318 mm \times 136.6 mm (\varnothing 12.52" \times 5.38") (\varnothing \times H)
Weight	4.77 kg (10.52 lb.)
Working Environment	-30 $^{\circ}$ C \sim 60 $^{\circ}$ C (-22 $^{\circ}$ F \sim 140 $^{\circ}$ F), Humidity: 5%~95% RH
Storage Environment	-40 $^{\circ}$ C \sim 70 $^{\circ}$ C (-40 $^{\circ}$ F \sim 158 $^{\circ}$ F), Humidity: 5%~95% RH
Surge Protection	6 KV

Dimensions



Accessories

<p>TR-UF45-K-IN Four Eyes Multi-directional Camera Ceiling Mounting/Wall Mounting Adapter</p>	<p>TR-CE45-IN Dome Indoor Ceiling Mounting Bracket</p>	<p>TR-WE45-B-IN Dome Gooseneck Bracket</p>
<p>TR-WE45-A-IN Long Wall Mounting Bracket for Dome</p>	<p>TR-UC08-A-IN Dome Corner Mounting Bracket</p>	<p>TR-UC08-B-IN Aluminium Alloy Corner Mounting Bracket</p>

TR-UP08-A-IN Dome Pole Mounting Bracket	TR-UP08-B-IN Aluminium Alloy Pole Mounting Bracket	
		

Unlimited New View

Zhejiang Uniview Technologies Co., Ltd.



<http://www.uniview.com>



overseasbusiness@uniview.com; globalsupport@uniview.com



No. 369, Xietong Road, Xixing Sub-district, Binjiang District, Hangzhou City, 310051, Zhejiang Province, China



©2023-2025 Zhejiang Uniview Technologies Co., Ltd. All rights reserved.

*Product specifications and availability are subject to change without notice.

Despite our best efforts, technical or typographical errors may exist in this document. Uniview cannot be held responsible for any such errors and reserves the right to change the contents of this document without prior notice.