

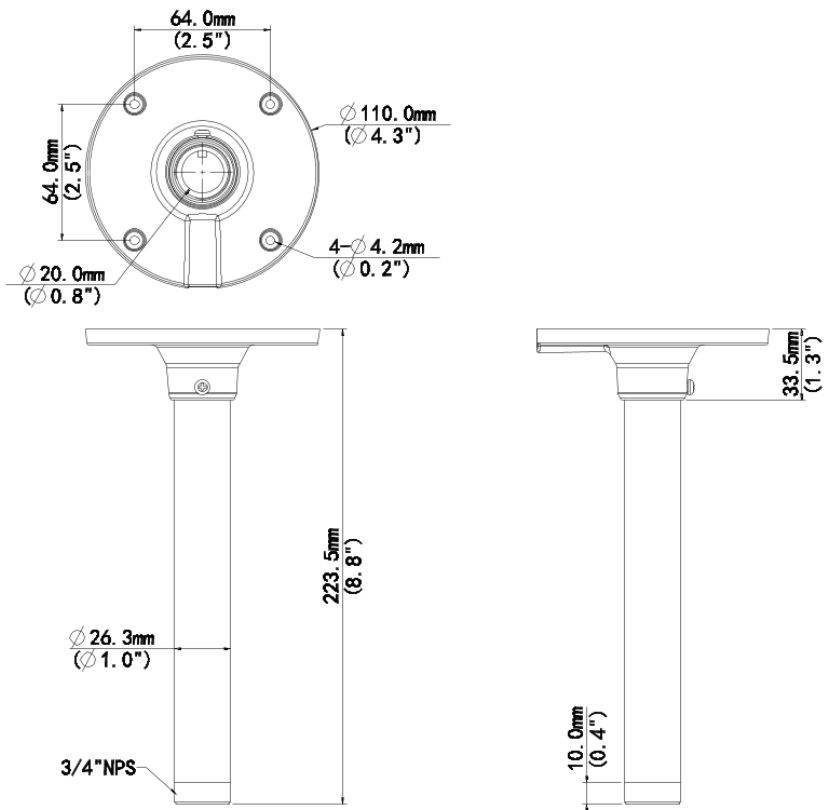
Fixed Dome Indoor Pendant Mount
TR-CM24-IN

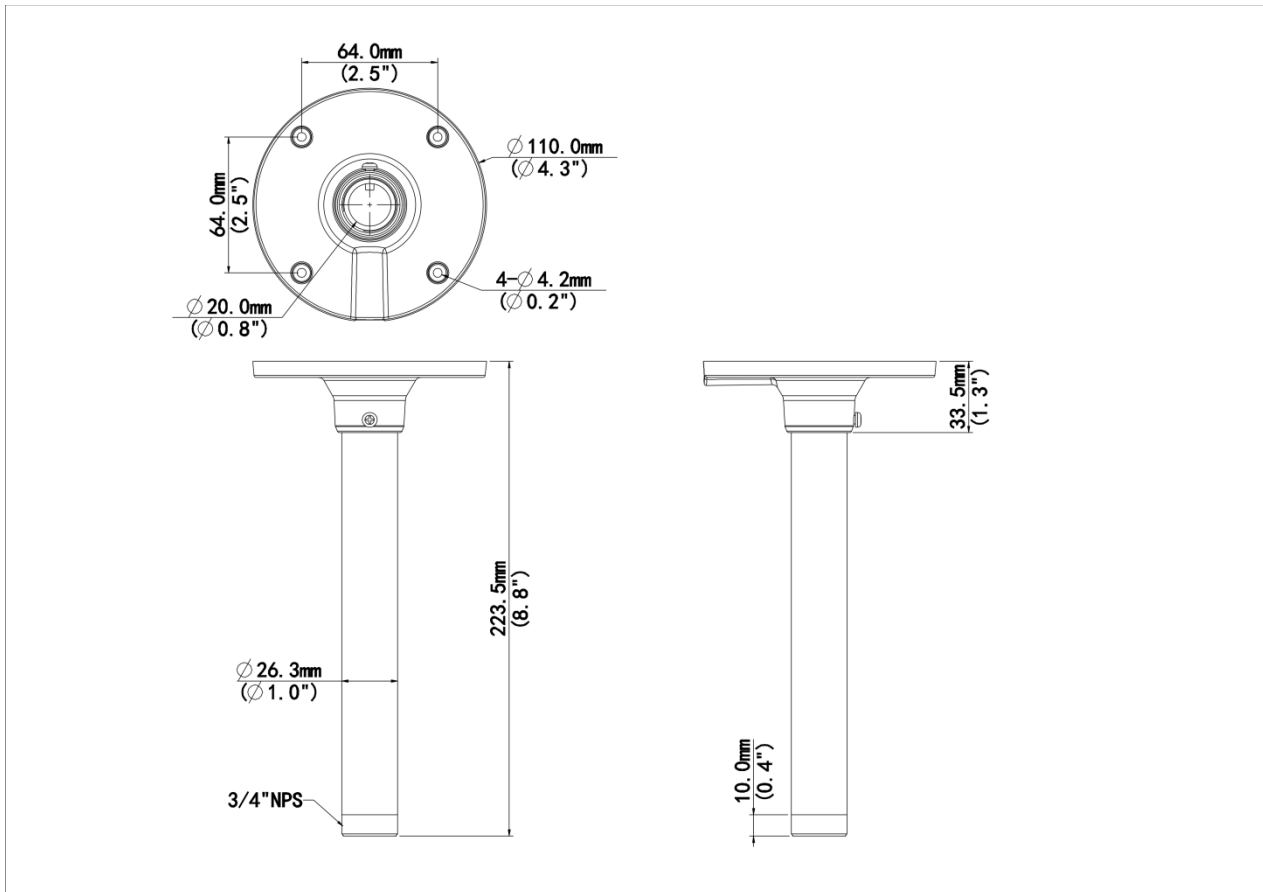


Specifications






Model	TR-CM24-IN
Bracket	
Application	Pendant mount for IPC323X Series fixed dome
Bracket Dimensions	Φ110.0 mm × 223.5 mm (4.3" × 8.8")
Bracket Weight	0.25kg(0.55lb)
Bracket Material	Aluminum alloy

Dimensions





Accessories

TR-CM24-IN Dome Pendant Mounting Bracket(Indoor)	TR-SE24-IN Dome Pendant Mounting Pole 200mm	TR-SE24-A-IN Dome Pendant Mounting Pole 500mm
		
TR-JB08 Junction Box for 322x Dual-lens Dome	TR-A01-IN NPT 3/4" Waterproof Cable Gland	
		

Unlimited New View

Zhejiang Uniview Technologies Co., Ltd.



<http://www.uniview.com>



overseasbusiness@uniview.com; globalsupport@uniview.com



No. 369, Xietong Road, Xixing Sub-district, Binjiang District, Hangzhou City, 310051, Zhejiang Province, China



©2023-2025 Zhejiang Uniview Technologies Co., Ltd. All rights reserved.

*Product specifications and availability are subject to change without notice.

Despite our best efforts, technical or typographical errors may exist in this document. Uniview cannot be held responsible for any such errors and reserves the right to change the contents of this document without prior notice.