

# 4MP HD ColorHunter Fixed Bullet Network Camera

IPC2314LE-ADF28(40)KM-WL



## Features

- High quality image with 4MP, 1/1.8"CMOS sensor and F1.0 large aperture lens
- 4MP (2688\*1520)@ 25/20fps; 4MP (2560\*1440)@ 25/20fps; 3MP (2304\*1296) @30/25fps; 2MP (1920\*1080) @30/25fps;
- Ultra 265, H.265, H.264, MJPEG
- Colorhunter technology ensures 24-hour full-color images
- 120dB true WDR technology enables clear image in strong light scene
- Support 9:16 Corridor Mode
- Built-in Mic
- White Light, up to 30m white light distance
- Supports 512 GB Micro SD card
- IP67 protection

- Support PoE power supply
- 3-Axis

## Specifications

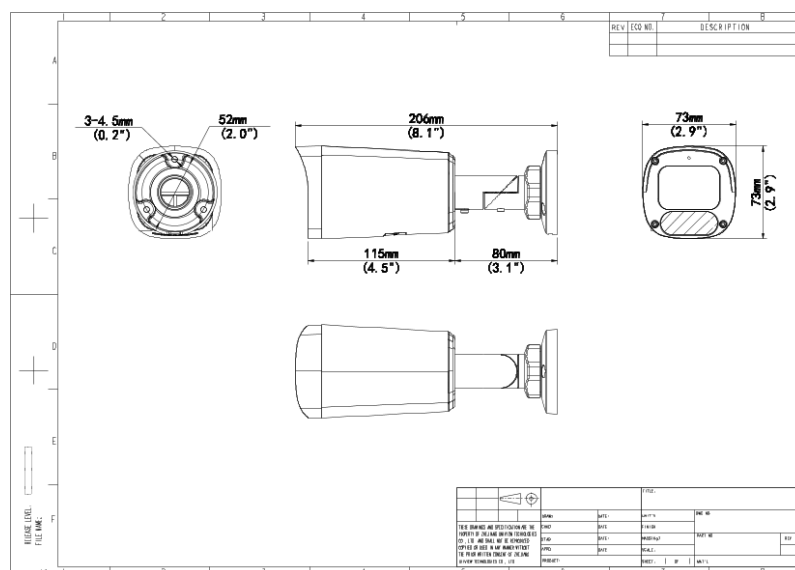
Camera	Description
Max Resolution	4 MP
Sensor	1/1.8" CMOS
Min. Illumination	Colour: 0.0005 lux (F1.0, AGC ON)
Shutter	Auto/Manual, 1 ~ 1/100000s
Adjustment Angle	Pan: 0° ~ 360°, Tilt: 0° ~ 90°, Rotate: 0° ~ 360°
S/N	>52dB
WDR	120dB
Lens	Description
Focal Length	IPC2314LE-ADF28KM-WL:2.8 mm IPC2314LE-ADF40KM-WL:4.0 mm
Iris Type	Fixed
Iris	F1.0
Field of View (H)	IPC2314LE-ADF28KM-WL:111.3° IPC2314LE-ADF40KM-WL:88.2°
Field of View (V)	IPC2314LE-ADF28KM-WL:61.2° IPC2314LE-ADF40KM-WL:47.6°
Field of View (D)	IPC2314LE-ADF28KM-WL:131.5° IPC2314LE-ADF40KM-WL:104.0°
DORI	Description
DORI Distance (Lens)	IPC2314LE-ADF28KM-WL:2.8mm IPC2314LE-ADF40KM-WL:4.0mm
DORI Distance (Detect)	IPC2314LE-ADF28KM-WL:43.4m(142.5.7ft) IPC2314LE-ADF40KM-WL:62.1(203.6ft)
DORI Distance (Observe)	IPC2314LE-ADF28KM-WL:17.4(57.0ft) IPC2314LE-ADF40KM-WL:24.8(81.5ft)
DORI Distance (Recognize)	IPC2314LE-ADF28KM-WL: 8.7(28.5ft) IPC2314LE-ADF40KM-WL:12.4(40.7ft)

DORI Distance (Identify)	IPC2314LE-ADF28KM-WL:4.3(14.3ft) IPC2314LE-ADF40KM-WL:6.2(20.4ft)
<b>Illuminator</b>	Description
Supplemental Light	Warm Light
Illumination Distance (Warm Light )	30 m (98.4 ft)
Light On/Off Control	Auto/Manual
<b>Video</b>	Description
Video Compression	Ultra 265, H.265, H.264, MJPEG
H.264 Code Profile	Baseline profile, Main profile, High profile
Frame Rate	Main Stream: 4MP (2688*1520), Max 25fps;4MP (2560*1440), Max 25fps; 3MP (2304*1296), Max 30fps; 1080P (1920*1080), Max 30fps; Sub Stream: 720P (1280*720), Max 30fps; D1 (720*576), Max 30fps; 640*360,Max 30fps;
Video Bit Rate	128 Kbps ~ 6144 Kbps
U-code	Support
OSD	Up to 4 OSDs
Privacy Mask	Up to 4 areas
ROI	Support
Video Stream	Dual Streams
<b>Image</b>	Description
White Balance	Auto, Outdoor, Fine Tune, Sodium Lamp, Locked, Auto2
Digital Noise Reduction	2D/3D DNR
Smart Illumination	Support
Flip	Normal, Flip Vertical, Flip Horizontal, 180°, 90° Clockwise, 90° Anti-clockwise
Dewarping	N/A
HLC	Support
BLC	Support
Defog	Digital Defog
<b>Events</b>	Description
Basic Detection	Motion Detection, Ultra Motion Detection, Tampering Alarm, Audio Detection, Cross Line (based on Human Body Detection), Intrusion (based on Human Body Detection)
General Function	Watermark, IP Address Filtering, Access Policy, ARP Protection, RTSP Authentication, User Authentication, HTTP Authentication

Audio	Description
Audio Compression	G.711U, G.711A
Audio Bitrate	64 Kbps
Two-way Audio	N/A
Suppression	Support
Sampling Rate	8 KHz
Storage	Description
Edge Storage	Micro SD, up to 512 GB
Network Storage	ANR, NAS (NFS)
Network	Description
Protocols	IPv4, IGMP, ICMP, ARP, TCP, UDP, DHCP, RTP, RTSP, RTCP, RTMP, DNS, DDNS, NTP, FTP, UPnP, HTTP, HTTPS, SMTP, SSL/TLS, SNMP, QoS
Compatible Integration	ONVIF (Profile S, Profile G, Profile T), API, SDK
User/Host	Up to 32 users, 2 user levels: administrator and common user
Security	Password Protection, Strong Password, HTTPS Encryption, Export Operation Logs, Basic and Digest Authentication for RTSP, Digest Authentication for HTTP, TLS 1.2, WSSE and Digest Authentication for ONVIF
Client	UNV-Link, UNV-Link Pro, EZStation
Web Browser	Plug-in required live view: IE 10 and above, Chrome 45 and above, Firefox 52 and above, Edge 79 and above, Plug-in free live view: Chrome 57.0 and above, Firefox 58.0 and above, Edge 16 and above
Interface	Description
Audio I/O	N/A
Alarm I/O	N/A
Serial Port	N/A
Built-in Mic	Support
Built-in Speaker	N/A
WIFI	N/A
Network	1 x RJ45 10M/100M Base-TX Ethernet
Video Output	N/A
Certification	Description
EMC	CE-EMC (EN 55032, EN 61000-3-3, EN IEC 61000-3-2, EN 55035)

	FCC (FCC 47 CFR part15 B)
Safety	CE LVD (EN 62368-1) CB (IEC 62368-1) UL/CUL (UL 62368-1, CAN/CSA C22.2 No. 62368-1)
Environment	CE-RoHS (2011/65/EU;(EU)2015/863); WEEE (2012/19/EU);
Protection	IP67 (IEC 60529)
<b>General</b>	<b>Description</b>
Power	DC 12V ± 25%, PoE (IEEE 802.3af)
Power Consumption	Max 5.9W
Power Interface	Ø 5.5 mm coaxial power plug
Dimensions	206 × 73 × 73mm (8.1" × 2.9" × 2.9" ) (L x W x H)
Weight	0.47kg (1.04lb)
Material	Graphene + Metal
Working Environment	-30 °C ~ 60 °C (-22 °F ~ 140 °F), Humidity: ≤95% RH (non-condensing)
Storage Environment	-30 °C ~ 60 °C (-22 °F ~ 140 °F), Humidity: ≤95% RH (non-condensing)
Surge Protection	4 KV
Reset Button	Support
Web Client Language	4 Languages English, Russian, Spanish, Vietnamese

## Dimensions



## Accessories

TR-JB05-B-IN

Small Bullet Junction Box(Elegant White)



TR-UP06-C-IN

Pole Mounting Bracket for Bullet Junction Box Only



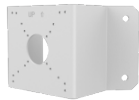
TR-A01-IN

NPT 3/4" Waterproof Cable Gland



TR-UC08-C

Bullet&Dome Corner Mounting Bracket



### Zhejiang Uniview Technologies Co., Ltd.

No. 369, Xietong Road, Xixing Sub-district, Binjiang District, Hangzhou City, 310051, Zhejiang Province, China (Zhejiang) Pilot Free Trade Zone, China

Email: [overseasbusiness@uniview.com](mailto:overseasbusiness@uniview.com); [globalsupport@uniview.com](mailto:globalsupport@uniview.com)

<http://www.uniview.com>

©2023-2024 Zhejiang Uniview Technologies Co., Ltd. All rights reserved.

\*Product specifications and availability are subject to change without notice.

\*Despite our best efforts, technical or typographical errors may exist in this document. Uniview cannot be held responsible for any such errors and reserves the right to change the contents of this document without prior notice.