

1 SATA HDD Network Video Recorder

NVR-E2-P Series



Features

- Support Ultra 265/H.265/H.264 video formats
- 4/8-channel input
- Plug & Play with 4/8 independent PoE network interfaces
- Third-party IP cameras supported with ONVIF conformance: Profile S, Profile G, Profile T
- Support 1-ch HDMI, 1-ch VGA
- HDMI and VGA simultaneous output
- Up to 8MP resolution recording
- 1 SATA HDD up to 8TB
- Support cloud upgrade

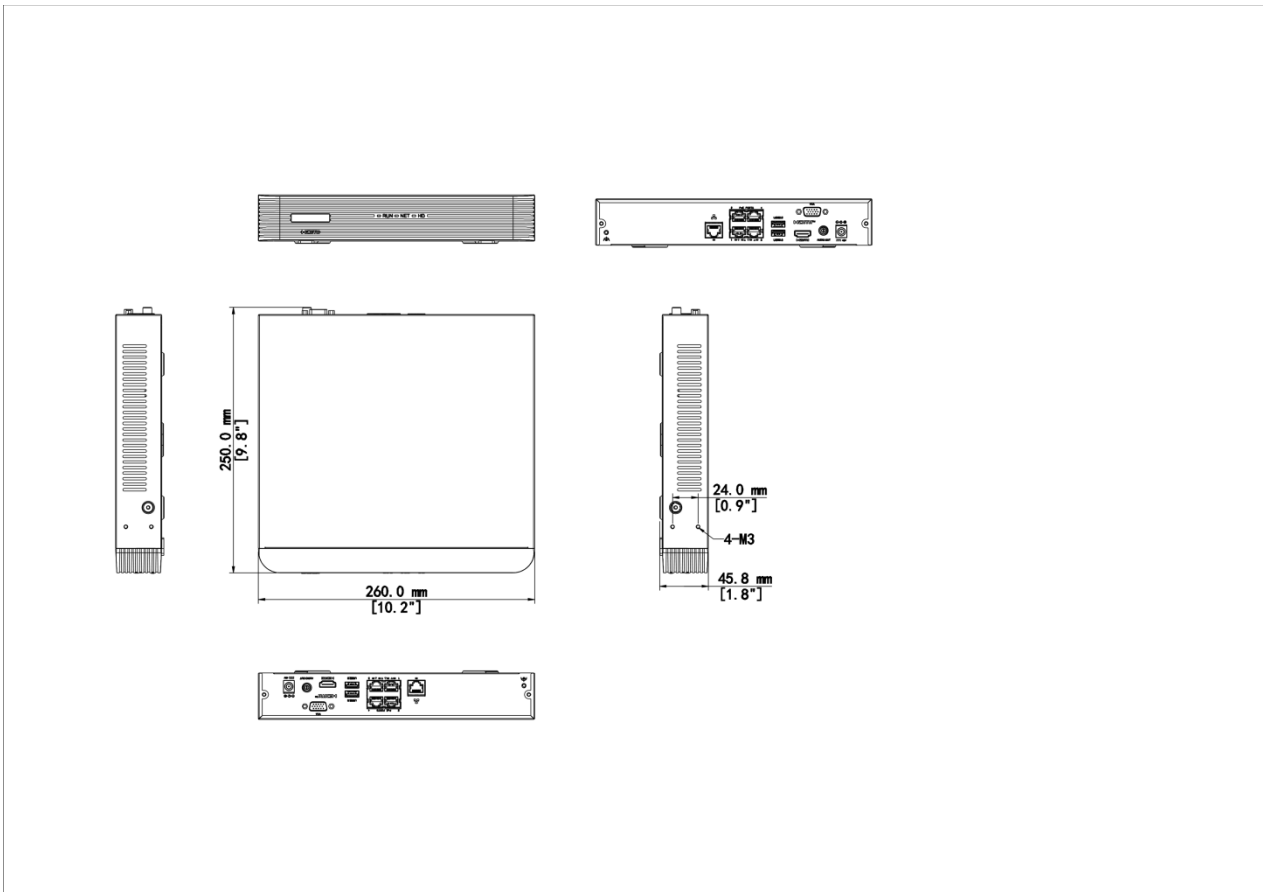
Specifications

Model	NVR-104E2-P4	NVR-108E2-P8
Decoding		
Decoding Format	Ultra 265, H.265, H.264	
Decoding Capability	1 x 4K@30, 2 x 6MP@30, 4 x 5MP@25, 4 x 4MP@25, 4 x 3MP@25, 4 x 1080P@30	1 x 4K@30, 2 x 6MP@30, 4 x 5MP@25, 4 x 4MP@25, 4 x 3MP@25, 6 x 1080P@30, 8 x 720P@30
Decoding Capability Description	The resolution of each channel cannot exceed 4000 pixels in length and 3000 pixels in width	
Audio Compression	G.711A, G.711U	
Network		
Incoming Bandwidth	40 Mbps	50Mbps
Outgoing Bandwidth	40 Mbps	
Remote Users	128	
Protocols	TCP/IP, P2P, UPnP, DHCP, HTTP, HTTPS, DNS, DDNS, SMTP, RTSP, IPv4	
Browser (Plugin)	IE10, IE11, Chrome 45+, Edge 79+, Firefox 52+	
Video/Audio Input		
IP Video Input	4-ch	8-ch
Video/Audio Output		
HDMI Output	4K (3840 × 2160)/30 Hz, 1920 × 1080/60 Hz, 1920 × 1080/50 Hz, 1600 × 1200/60 Hz, 1280 × 1024/60 Hz, 1280 × 720/60 Hz, 1024 × 768/60 Hz	
VGA Output	1920 × 1080/60 Hz, 1920 × 1080/50 Hz, 1600 × 1200/60 Hz, 1280 × 1024/60 Hz, 1280 × 720/60 Hz, 1024 × 768/60 Hz	
RCA Audio Output	1-ch	
Liveview Display	1/4	1/4/6/8/9
Corridor Mode Screen	3/4	3/4/5/7/9
Recording		
Recording Resolution	8 MP/6 MP/5 MP/4 MP/3 MP/1080P/960P/720P/D1/2CIF/CIF	
Synchronous Playback in Local	4-ch	8-ch
Smart Function		
VCA Detection by IPC	SIP (Intrusion Detection, Cross Line Detection, Enter Area, Leave Area), Ultra Motion Detection (UMD)	
VCA Search	Behavior Search	
Smart by IPC	Total 4-ch(SIP supports channel 1-4, Alarm only, no image)	
GUI Language		
GUI Language	21 languages: Chinese, English, Vietnamese, Thai, Turkish, Spanish (Latin America), Portuguese (Brazil), Spanish, Portuguese, French, German, Italian, Dutch, Polish, Czech, Hungarian, Slovak, Russian, Hebrew, Arabic, Ukrainian	
Hard Disk		
SATA	1 SATA Interface	
Capacity	Up to 8 TB for each HDD (The maximum HDD capacity varies with environment temperature)	

External Interface		
Network Interface	1 RJ45 10 M/100 M self-adaptive Ethernet Interface	
USB	Rear panel: 2 × USB2.0	
Power Supply	DC 48 V/1.35 A	DC 52 V/1.8 A
PoE		
PoE Interface	4 RJ45 10 M/100 M self-adaptive Ethernet Interface	8 RJ45 10 M/100 M self-adaptive Ethernet Interface
Max Power	Max 30 W for single port, Max 54 W in total	Max 30 W for single port, Max 75 W in total
Supported Standard	IEEE 802.3at, IEEE 802.3af	
Working Environment		
Working Temperature	-10 °C to 55 °C (14 °F to 131 °F)	
Working Humidity	≤ 90% RH (non-condensing)	
Power Consumption (without HDD)	≤ 9W	
Dimensions		
Weight (without HDD)	≤ 1.2Kg (2.65lb)	
Dimensions	260mm × 243mm × 46mm (10.2"×9.6"×1.8")	
Certification		
Certification	CE; FCC; RoHS; WEEE	
CE	EN 55032, EN 61000-3-3, EN IEC 61000-3-2, EN 55035	
FCC	Part15 Subpart B	

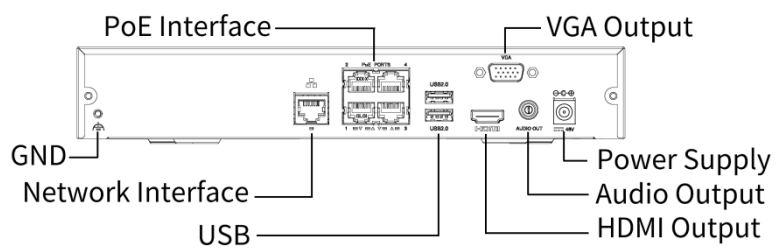
Dimensions

Aggregate product size diagram using NVR-104E2-P4 as an example

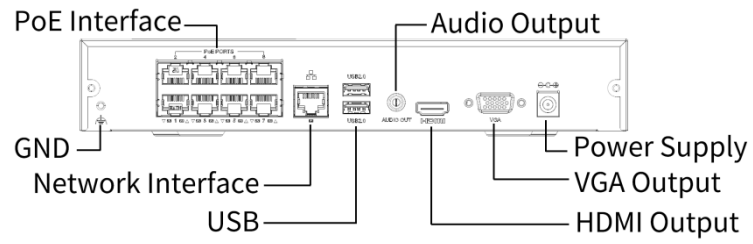


Rear Panel



[NVR-104E2-P4]



[NVR-108E2-P8]



Zhejiang Uniview Technologies Co., Ltd.

-  <http://www.uniview.com>
-  overseasbusiness@uniview.com; globalsupport@uniview.com
-  No. 369, Xietong Road, Xixing Sub-district, Binjiang District, Hangzhou City, 310051, Zhejiang Province, China



©2023-2025 Zhejiang Uniview Technologies Co., Ltd. All rights reserved.

*Product specifications and availability are subject to change without notice.

*Despite our best efforts, technical or typographical errors may exist in this document.

Uniview cannot be held responsible for any such errors and reserves the right to change the contents of this document without prior notice.