

Network Video Recorder

NVR508-E-IQ Series



Features

- Support Ultra 265/H.265/H.264 video formats
- 32/64-channel input
- Support mainstream cameras of ONVIF conformance(Profile S, Profile G, Profile T) and RTSP protocols
- Support 2 HDMI and 2 VGA. VGA1 and HDMI1 simultaneous output, VGA2 and HDMI2 simultaneous output. VGA1/HDMI1 and VGA2/HDMI2 independent output
- Up to 32 Megapixels resolution recording
- Support N+1 Hot spare
- ANR technology to enhance the storage reliability when the network is disconnected
- Support cloud upgrade

Specifications

| | | |
|-----------------|-------------------------|---------------|
| Model | NVR508-32E-IQ | NVR508-64E-IQ |
| Decoding | | |
| Decoding Format | Ultra 265, H.265, H.264 | |

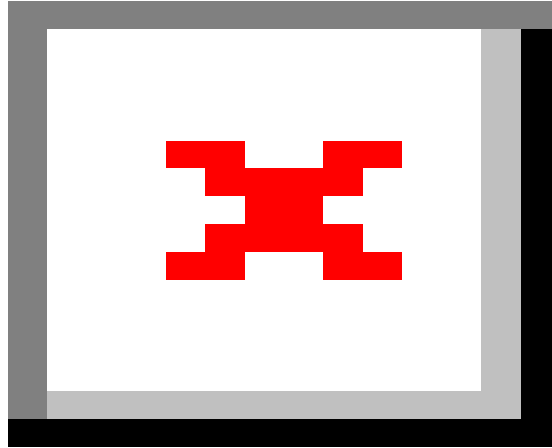
| | | |
|---------------------------------|---|---|
| Decoding Capability | Smart Off: 2 x 32MP@30, 4 x 16MP@30, 5 x 12MP@30, 8 x 4K@30, 10 x 6MP@30, 12 x 5MP@30, 16 x 4MP@30, 20 x 3MP@30, 32 x 1080P@30 Smart On: 1 x 32MP@30, 3 x 16MP@30, 4 x 12MP@30, 6 x 4K@30, 8 x 6MP@30, 9 x 5MP@30, 12 x 4MP@30, 16 x 3MP@30, 24 x 1080P@30, 32 x 720P@30 | Smart Off: 2 x 32MP@30, 4 x 16MP@30, 5 x 12MP@30, 8 x 4K@30, 10 x 6MP@30, 12 x 5MP@30, 16 x 4MP@30, 20 x 3MP@30, 32 x 1080P@30, 64 x 720P@30 Smart On: 1 x 32MP@30, 3 x 16MP@30, 4 x 12MP@30, 6 x 4K@30, 8 x 6MP@30, 9 x 5MP@30, 12 x 4MP@30, 16 x 3MP@30, 24 x 1080P@30, 48 x 720P@30 |
| Decoding Capability Description | The resolution of each channel cannot exceed 8192 pixels in length or width | |
| Audio Compression | G.711A, G.711U | |
| Network | | |
| Incoming Bandwidth | Smart Off: 384Mbps Smart On: 200Mbps | |
| Outgoing Bandwidth | Smart Off: 384Mbps Smart On: 200Mbps | |
| Remote Users | 128 | |
| Protocols | TCP/IP, P2P, NTP, DHCP, PPPoE, HTTP, HTTPS, DNS, DDNS, SNMP, SMTP, NFS, RTSP, 802.1x, IPv6, IPv4 | |
| Browser(Plugin) | IE10, IE11, Chrome 45+, Edge 79+, Firefox 52+ | |
| Video/Audio Input | | |
| IP Video Input | 32-ch | 64-ch |
| RCA Audio Input | 1-ch | |
| Video/Audio Output | | |
| HDMI Output | 4K (3840 × 2160)/60 Hz, 4K (3840 × 2160)/30 Hz, 1920 × 1080/60 Hz, 1600 × 1200/60 Hz, 1280 × 1024/60 Hz, 1280 × 720/60 Hz, 1024 × 768/60 Hz | |
| VGA Output | 1920 × 1080/60 Hz, 1600 × 1200/60 Hz, 1280 × 1024/60 Hz, 1280 × 720/60 Hz, 1024 × 768/60 Hz | |
| RCA Audio Output | 2-ch | |
| Liveview Display | HDMI1 and VGA1: 1/4/6/8/9/16/25/32; HDMI2 and VGA2: 1/4/6/8/9/16 | HDMI1 and VGA1: 1/4/6/8/9/16/25/36/64; HDMI2 and VGA2: 1/4/6/8/9/16 |
| Corridor Mode Screen | HDMI1 and VGA1: 3/4/5/7/9/10/12/16/32; HDMI2 and VGA2: 3/4/5/7/9/10/12/16 | |
| Two-way Audio | | |
| Two-way Audio | 1-ch, RCA (Using the audio input and output) | |
| Snapshot | | |

| | |
|------------------------------|---|
| FTP/Schedule/Event Snapshot | 16-ch snapshot (max. 8 MP (3840 × 2160) video resolution, with 1080P snapshot resolution) |
| Recording | |
| Recording Resolution | 32 MP/16 MP/12 MP/8 MP/6 MP/5 MP/4 MP/3 MP/1080P/960P/720P/D1/2CIF/CIF |
| Smart | |
| VCA Detection by IPC | Face Detection, Face Comparison, Vehicle Detection, SIP (Intrusion Detection, Cross Line Detection, Enter Area, Leave Area), Ultra Motion Detection (UMD), Temperature Detection (Fire Detection, Smoking Detection, Temperature Measurement, Smoke and Fire Detection), People Counting (People Flow Counting, Crowd Density Monitoring), Video Metadata, Traffic Monitoring |
| Smart by NVR | Face Detection, Face Comparison, Smart Intrusion Prevention (SIP), Ultra Motion Detection (UMD) |
| VCA Search | Face Snapshot Search, Face Comparison Search, Motor Vehicle Search, Non-Motor Vehicle Search, Human Body Search, General Search, People Counting Report, Heat Map, SmartSearch+, AcuSearch |
| Smart by IPC | All channels (up to 16 images/s in total)Face Detection, Face Comparison, Vehicle Detection, Temperature Detection, SIP, UMD, Video Metadata, Traffic Monitoring |
| Vehicle Picture Library | Up to 5 vehicle picture libraries, with up to 25,000 vehicle pictures in total |
| SIP by NVR | 8-ch |
| UMD by NVR | 16-ch |
| Capacity of Snapshot Records | 3 millions records for face snapshot, 2 millions records for vehicle snapshot, 2 millions records for SIP, 2 millions records for video Metadata |
| Alarm | |
| General Alarm | Defocus Detection, Scene Change Detection, Object Left Behind, Object Removed, Auto Tracking, Motion Detection, Tampering, Human Body Detection, Video Loss, Alarm Input, Audio Detection |
| Alert Alarm | IP Conflict, Network Disconnected, Disk Offline, Disk Abnormal, Illegal Access, Hard Disk Space Low, Hard Disk Full, Recording/Snapshot Abnormal, Array Damaged, Array Degraded |
| GUI Language | |
| GUI Language | 38 languages: Simplified Chinese, Traditional Chinese, English, Vietnamese, Thai, Turkish, Spanish (Latin America), Portuguese (Brazil), Spanish, Portuguese, French, German, Italian, Dutch, Polish, Czech, Hungarian, Slovak, Russian, Hebrew, Arabic, Ukrainian, Estonian, Bulgarian, Greek, Romanian, Danish, Swedish, Norwegian, Finnish, Croatian, Slovenia, Serbia, Korean, Japanese, Latvian, Lithuanian, Persian |
| Hard Disk | |
| SATA | 8 SATA Interfaces |
| Capacity | Up to 16 TB for each HDD (The maximum HDD capacity varies with environment temperature) |
| Disk Group | Support |
| Redundant Storage | Support |

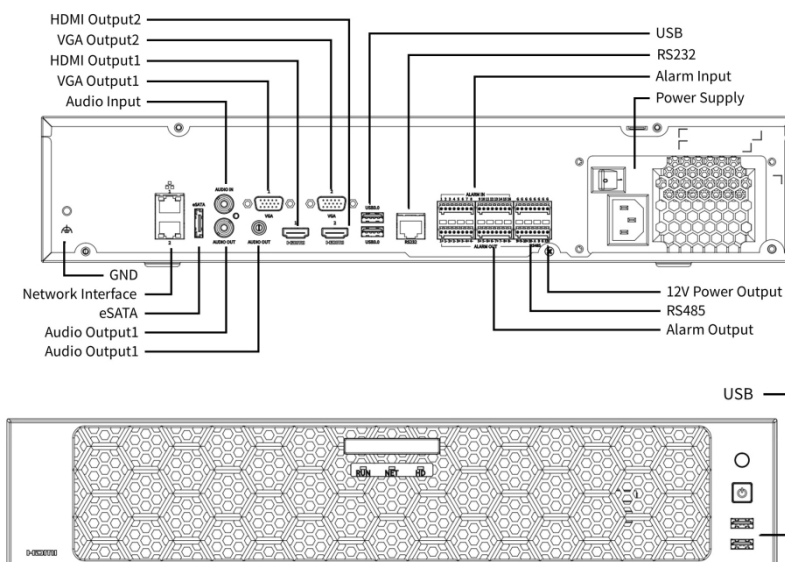
| | |
|---------------------------------|---|
| Disk Array Type | RAID 0, 1, 5, 6, 10 |
| External Interface | |
| Network Interface | 2 RJ45 10 M/100 M/1000 M self-adaptive Ethernet Interface |
| USB | Front panel: 2 × USB2.0, Rear panel: 2 × USB3.0 |
| RS485 | 1 |
| RS232 | 1 |
| Alarm In | 16-ch |
| Alarm Out | 10-ch |
| eSATA | 1 |
| Power Output | 12 V |
| Power Supply | AC 100~240V |
| Working Environment | |
| Working Temperature | -10 °C to 50 °C (14 °F to 122 °F) |
| Working Humidity | ≤ 90% RH (non-condensing) |
| Power Consumption (without HDD) | ≤ 35W |
| Dimensions | |
| Weight (without HDD) | ≤ 5.5Kg (12.1lb) |
| Height | 2U |
| Dimensions | 442mm × 432mm × 86mm (17.4"×17.0"×3.4") |
| Certification | |
| Certification | CE; FCC; UL; RoHS; WEEE |
| CE | EN 55032, EN 61000-3-3, EN IEC 61000-3-2, EN 55035 |
| FCC | Part15 Subpart B |

Dimensions

Aggregate product size diagram using "main model" as an example



Rear Panel



Zhejiang Uniview Technologies Co., Ltd.

No. 369, Xietong Road, Xixing Sub-district, Binjiang District, Hangzhou City, 310051, Zhejiang Province, China

Email: overseasbusiness@uniview.com; globalsupport@uniview.com

<http://www.uniview.com>

©2023-2025 Zhejiang Uniview Technologies Co., Ltd. All rights reserved.

*Product specifications and availability are subject to change without notice.

*Despite our best efforts, technical or typographical errors may exist in this document. Uniview cannot be held responsible for any such errors and reserves the right to change the contents of this document without prior notice.