

4MP Dual-light WDR Mini Dome Network Camera IPC314LE-ADF28K-DL



주요 특징

- High quality image with 4MP, 1/3.0" CMOS sensor
- 4 MP (2688 × 1520)@25/20 fps; 4 MP (2560 × 1440)@25/20 fps; 3 MP (2304 × 1296)@30/25 fps; 1080P (1920 × 1080)@30/25 fps
- Ultra 265, H.265, H.264, MJPEG
- Smart intrusion prevention, including cross line, intrusion detection
- Support ultra motion detection (human/ vehicle detection)
- ColorHunter technology ensures 24-hour full-color images
- 120 dB true WDR technology enables clear image in strong light scene
- Supports 9:16 corridor mode
- Built in mic
- Smart IR, up to 30 m (98.4 ft) IR distance
- Warm light, up to 30 m (98.4 ft.) warm light distance
- MicroSD, up to 512 GB
- IP67 protection

사양

Model	IPC314LE-ADF28K-DL
카메라	
최대 해상도	4 MP
센서	1/3.0" CMOS
최저 조도	Color: 0.005 Lux (F1.6, AGC ON), 0 Lux with IR
주간/야간	IR-cut filter with auto switch (ICR)
셔터	Auto/Manual, 1 to 1/100000 s
조정 각도	Pan: -48° to 48°, Tilt: 0° to 80°, Rotate: 0° to 360°
S/N	> 52 dB
WDR	120 dB
렌즈	
초점 거리	2.8 mm
Iris Type	Fixed
Iris	F1.6
화각(수평)	100.5°
화각(수직)	58.4°
화각(사각)	123.1°
렌즈 타입	Fixed
DORI	
DORI 거리(렌즈)	2.8 mm
DORI 거리(감지)	63.0 m (206.7 ft.)
DORI 거리(관찰)	25.2 m (82.7 ft.)
DORI 거리(인식)	12.6 m (41.3 ft.)

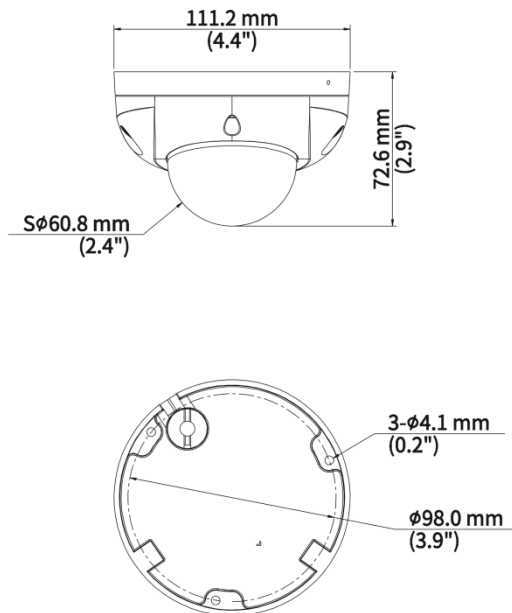
DORI 거리(식별)	6.3 m (20.7 ft.)
조명	
보조 조명	Dual light
조명 거리(IR)	30 m (98.4 ft.)
IR 켜짐/꺼짐 컨트롤	Auto/Manual
파장	850 nm
비디오	
비디오 압축	Ultra 265, H.265, H.264, MJPEG
H.264 코드 프로파일	Baseline profile, High profile
프레임 속도	Main Stream: 4MP (2688 × 1520), max.25 fps; 4MP (2560 × 1440), max.25 fps; 3MP (2304 × 1296), max.30 fps; 1080P (1920 × 1080), max. 30 fps; 720P (1280 × 720), max. 30 fps; Sub Stream: 720P (1280 × 720), max. 30 fps; D1 (720 × 576), max. 30 fps; 640 × 360, max. 30 fps; 2CIF (704 × 288), max. 30 fps; CIF (352 × 288), max. 30 fps;
비디오 비트 레이트	128 Kbps to 6144 Kbps
U-코드	Support
OSD	Up to 4 OSDs
프라이버시 마스크	Up to 4 areas
ROI	Support
비디오 스트림	Dual streams
이미지	
스마트 IR	Support
화이트 밸런스	Auto, Outdoor, Fine tune, Locked, Sodium lamp, Auto2, Area white balance
디지털 노이즈 제거	2D/3D DNR
이미지 회전	Normal, Flip vertical, Flip horizontal, 180°, 90° Clockwise, 90° Anti-clockwise

디워핑	N/A
HLC	Support
BLC	Support
디포그	Digital defog
지능형	
얼굴 캡처	N/A
피플 카운팅	N/A
통계 분석	N/A
이벤트	
기본 감지	Motion detection, Audio detection, Tampering alarm, Ultra motion detection (human/ vehicle detection) , Cross line (based on human body detection), Intrusion (based on human body detection)
기본 기능	Watermark, IP address filtering, Access policy, ARP protection, RTSP authentication, HTTP authentication, User authentication
오디오	
오디오 압축	G.711U, G.711A
오디오 비트레이트	64 Kbps
양방향 오디오	N/A
억제	Support
샘플링 레이트	8 kHz
저장 장치	
엣지 스토리지	MicroSD, up to 512 GB
네트워크 스토리지	NAS (NFS)
네트워크	
프로토콜	IPv4, IPv6, IGMP, ICMP, ARP, TCP, UDP, DHCP, RTP, RTSP, RTCP, RTMP, DNS, DDNS, NTP, FTP, UPnP, HTTP, HTTPS, SMTP, SSL/TLS, SNMP, QoS, SSH

호환 통합	SDK, API, ONVIF (Profile S, Profile G, Profile T)
사용자/호스트	Up to 32 users. 2 user levels: administrator and common user
보안	DTLS 1.2, TLS 1.2, Strong Password, HTTPS, Password protection, HTTPS encryption, Basic and Digest Authentication for RTSP, WSSE and Digest Authentication for ONVIF, Digest Authentication for HTTP, RTP/RTSP over HTTPS, Audit logs, Configuration Encrypted Storage, Configuration Encrypted Export, Digital Watermarking, Gateway ARP Binding, Digest SHA256 Authentication for HTTP, Digest SHA256 Authentication for RTSP, IP Filtering
클라이언트	EZStation, APP
웹 브라우저	Plug-in free live view: Chrome 57+, Firefox 58+, Edge 16+
인터페이스	
오디오 I/O	N/A
알람 I/O	N/A
시리얼 포트	N/A
내장 마이크	Support
내장 스피커	N/A
WIFI	N/A
네트워크	1 × RJ45 10 M/100 M Base-TX Ethernet
비디오 출력	N/A
인증	
EMC	CE-EMC (EN 55032, EN 61000-3-3, EN IEC 61000-3-2, EN 50130-4) FCC (FCC 47 CFR part15 B)
안전성	CE LVD (EN 62368-1) UL/CUL (UL 62368-1, CAN/CSA C22.2 No. 62368-1)
환경	CE-RoHS (2011/65/EU;(EU)2015/863); WEEE (2012/19/EU);
보호	IP67 (IEC 60529) IK10 (IEC 62262)
일반	

전원	DC 12 V±25%, PoE (IEEE 802.3af)
전력 소비량	Max 5.6 W
전원 인터페이스	Ø5.5 mm coaxial power plug
크기	Ø111.2 mm × 72.6 mm (Ø4.4" × 2.9") (Ø × H)
무게	0.36kg (0.79lb)
재료	Metal + Plastic
작업 환경	-30 °C to 60 °C (-22 °F to 140 °F), Humidity: ≤ 95% RH (non-condensing)
저장 환경	-40 °C to 70 °C (-40 °F to 158 °F), Humidity: ≤ 95% RH (non-condensing)
서지 보호	4 KV
초기화 버튼	Support
웹 클라이언트 언어	4 Languages: English, Russian, Spanish, Vietnamese

크기



액세서리

TR-JB03-G-IN

Junction Box for Mini Fix-dome(Support wiring from behind)



TR-A01-IN

NPT 3/4" Waterproof Cable Gland



TR-WM03-D-IN-V2

Wall Mounting Bracket for 32 Fix-dome&Mini Fix-dome&Plastic Turret Camera



TR-UP06-C-IN-V2

Pole Mounting Bracket for Bullet Junction Box Only



TR-UM06-E-IN

Slant Mounting Bracket for Fixed Dome



TR-UC08-C-V2

Bullet&Dome Corner Mounting Bracket



TR-SE24-IN

Dome Pendant Mounting Pole 200mm



TR-SE24-A-IN

Dome Pendant Mounting Pole 500mm



TR-CM24-IN

Dome Pendant Mounting Bracket(Indoor)



TR-JB07/WM03-G-IN-V2

Wall Mounting Assembling Bracket For 32
Fix-dome&Mini Fix-dome&Plastic Turret
Camera



Unlimited New View

浙江宇视科技有限公司



<http://www.uniview.com>



overseasbusiness@uniview.com; globalsupport@uniview.com



South Tower, Building 10, Wanlun Science Park, 88 Jiangling Road, Hangzhou, P.R.China



©2023-2025 Zhejiang Uniview Technologies Co., Ltd. All rights reserved.

*Product specifications and availability are subject to change without notice.

虽然我司试图在本资料中提供准确的信息，但不保证资料的内容不含有技术性误差或印刷性错误，为此我司对本资料中的不准确不承担任何责任。我司保留在没有通知或提示的情况下对本资料的内容进行修改的权利。