

2MP X33 Lighthunter IR Intelligent Network PTZ Camera IPC6622SR-X33-VD2



Features

- Wise-ISP image processing engine, intelligent noise reduction, stunning visual effects in low-light conditions
- Smart intrusion prevention (SIP): supports cross line detection, enter area, leave area, and intrusion detection, detects and captures different types of targets including motor vehicles, non-motor vehicles, pedestrians, and raises alarms
- UNV LM-Auto Tracking : Accurately identifies and continuously tracks motor vehicles, non-motor vehicles, and pedestrians—even through occlusion, multi-target crossing, or high-speed motion—with real-time, adaptive bounding boxes for stable, reliable tracking
- People counting: supports people flow counting and crowd density monitoring, applicable to various scenarios
- automatic selection of best snapshots, supports face detection masked area
- 120 dB true WDR meets the image requirements in high-contrast scene
- Heatwave reduction effectively mitigates heatwave effect in high-temperature outdoor environment and ensures clear images
- Adaptive defog automatically adjusts the defog level according to fog and haze intensity
- 200 m (656.2 ft) illumination distance, smart IR illumination, automatically adjusts image settings according to the scene, offering natural and realistic night-time images
- Adaptive highlight compensation (HLC) automatically adjusts image brightness at night when moving vehicles are detected on the road
- Advanced H.265 and SVC video compression technologies, higher compression efficiency, flexible application
- ROI (region of interest) ensures image quality in areas of interest with low bandwidth
- Supports picture overlay and custom OSD, provides various custom effects (size, color, background, style)

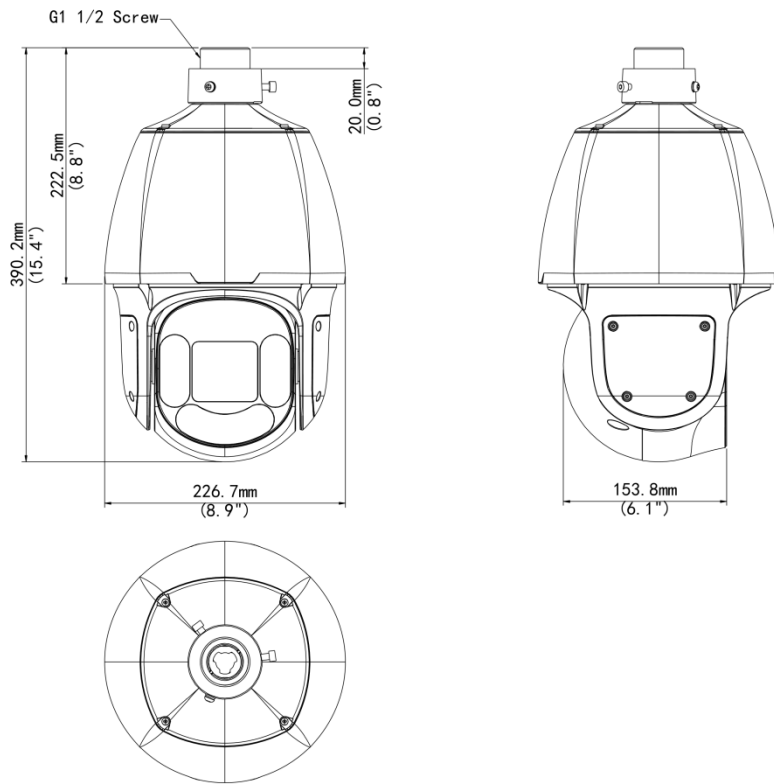
Specifications

| Model | IPC6622SR-X33-VD2 |
|---------------------------|--|
| Camera | |
| Max Resolution | 2 MP |
| Sensor | 1/2.8" CMOS |
| Day/Night | IR-cut filter with auto switch (ICR) |
| Shutter | Auto/Manual, 1 to 1/100000 s |
| WDR | 120 dB |
| Min. Illumination | Color: 0.001 Lux (F1.5, AGC ON), 0 Lux with Light |
| Lens | |
| Focal Length | 4.5 to 148.5 mm |
| Digital Zoom | 8X |
| Optical Zoom | 33X |
| Iris | F1.5 to F4.0 |
| Field of View (H) | 58.94° to 2.85° |
| Field of View (V) | 33.18° to 1.60° |
| Field of View (D) | 72.50° to 3.36° |
| DORI | |
| DORI Distance (Detect) | 72.9 m to 2187.9 m (239.3 ft. to 7178.3 ft.) |
| DORI Distance (Observe) | 29.2 m to 875.2 m (95.7 ft. to 2871.3 ft.) |
| DORI Distance (Recognize) | 14.6 m to 437.6 m (47.9 ft. to 1435.7 ft.) |
| DORI Distance (Identify) | 7.3 m to 218.8 m (23.9 ft. to 717.8 ft.) |
| Video | |
| Video Compression | H.265, H.264, MJPEG, Ultra 265 |
| Frame Rate | Main Stream Max: 1080P (1920 × 1080), 60 fps Main Stream Default: 1080P (1920 × 1080), 25 fps Sub Stream Max: 1080P (1920 × 1080), 60 fps Third Stream Max: D1 (720 × 576), 60 fps Fourth Stream Max: D1 (720 × 576), 60 fps Fifth Stream Max: D1 (720 × 576), 60 fps |
| Video Bit Rate | 128 Kbps to 16 Mbps |
| U-code | Support |
| Privacy Mask | 24 areas, up to 8 areas per scene |
| ROI | Up to 8 areas |
| Video Stream | Five streams |
| OSD | Up to 10 OSDs |
| Frame Rate Recommendation | 1080P@60 fps + 1080P@60 fps + D1@60fp + D1@60fp + D1@60fp |
| Events | |
| General Function | Watermark, IP address filtering, Access policy, ARP protection, RTSP authentication, User authentication, Alarm input, Alarm output, HTTP authentication |
| Audio | |
| Audio Compression | G.711U, G.711A |

| | |
|----------------------------------|---|
| Two-way Audio | Support |
| Suppression | Support |
| Sampling Rate | 8 kHz, 16 kHz |
| Storage | |
| Edge Storage | MicroSD, up to 512 GB |
| Network Storage | NAS (NFS) |
| Network | |
| Protocols | SSH, IGMP, RTP, RTMP, RTCP, IPv4, SSL/TLS, QoS, 802.1x, HTTPS, HTTP, UPnP, NTP, DDNS, DNS, RTSP, DHCP, UDP, TCP, ARP, ICMP, IPv6, SMTP, PPPoE, SNMP |
| Compatible Integration | ONVIF (Profile S, Profile G, Profile T, Profile M), SDK, API |
| User/Host | Up to 32 users. 3 user levels: administrator, common user and operator |
| Security | Password Protection, Strong Password, HTTPS Encryption, Export Operation Logs, Basic and Digest Authentication for RTSP, Digest Authentication for HTTP, TLS 1.2, WSSE and Digest Authentication for ONVIF, TLS 1.3 |
| Client | EZStation, UNV-Link, UNV-Link Pro |
| Web Browser | Plug-in required live view: IE 10+, Chrome 45+, Firefox 52+, Edge 79+, Plug-in free live view: Chrome 57+, Firefox 58+, Edge 16+ |
| PTZ | |
| Route Patrol | 16 patrols, up to 32 actions for each patrol |
| Patrol Stay Time | 15 s to 1800 s |
| Tilt Range | -15° to 90° (auto flip) |
| Pan Speed | 0.1°/s to 288°/s |
| Pan Range | 360° (endless) |
| Preset Image Freeze | Support |
| Home Position | Support |
| Tilt Speed | 0.1°/s to 288°/s |
| Number of Presets | 1024 |
| Image | |
| Digital Noise Reduction | 2D/3D DNR |
| BLC | Support |
| Flip | Normal, Flip vertical, Flip horizontal, 180° |
| HLC | Support |
| Defog | Digital defog |
| Low Illumination Characteristics | ColorHunter with Wise-ISP |
| Heatwave Reduction | Support |
| Image Stabilization | DIS |
| Interface | |
| Audio I/O | 1 Input: impedance 1 k Ω , amplitude 2.5 V [p-p], 1 Output: impedance 600 Ω , amplitude 2.5 V [p-p] |
| Alarm I/O | 2/1 |
| Network | 1 \times RJ45 10 M/100 M Base-TX Ethernet |
| Serial Port | 1 \times RS485 |
| Intelligent | |

| | |
|----------------------------|---|
| People Counting | Support people flow counting and crowd density detection |
| Exception Detection | Object removed, Object Left Behind |
| Auto Tracking | UNV Large Model |
| Smart Intrusion Prevention | Cross line detection, intrusion detection, enter area detection, leave area detection (support false alarm filtering and the classification of human, non-motor vehicle and vehicle) |
| Illuminator | |
| IR On/Off Control | Auto/Manual |
| Illumination Distance (IR) | 250 m (820.2 ft.) |
| Certification | |
| Safety | UL (UL 62368-1) CUL (CAN/CSA C22.2 No. 62368-1) CE-LVD (EN IEC 62368-1) |
| EMC | CE-EMC (EN 55032; EN IEC 61000-3-2; EN 61000-3-3; EN 50130) FCC SDoC (47 CFR Part 15; Subpart B) |
| Protection | IP67 (IEC 60529) ; IK10 (IEC62262; Anti-Vandalism Except for the Front Window) |
| General | |
| Power Interface | Wires with cold-pressed terminal |
| Dimensions | Ø227 mm × 390 mm (Ø8.9" × 15.4") (Ø × H) |
| Storage Environment | -40 °C to 70 °C (-40 °F to 158 °F), Humidity: ≤ 95% RH (non-condensing) |
| Surge Protection | 6 KV |
| Working Environment | -40 °C to 70 °C (-40 °F to 158 °F), Humidity: ≤ 95% RH (non-condensing) |
| Reset Button | Support |
| Web Client Language | 22 Languages: Traditional Chinese, English, Simplified Chinese, Polish, German, Russian, French, Korean, Dutch, Czech, Portuguese (Europe), Portuguese (Brazil), Japanese, Thai, Turkish, Spanish (Latin America), Spanish (Europe), Hungarian, Italian, Vietnamese, Arabic, Slovak |
| Power | DC 24 V±25%, AC 24 V±25%, PoE (IEEE 802.3at) |
| Configurable | |
| P/N | Support |
| Live View | |
| 3D Privacy Mask | Support |
| Compliance | |
| NDA Compliant | Support |

Dimensions



Accessories

TR-UF45-A-IN

Dome Indoor Ceiling Mounting Pedestal



TR-SE45-A-IN

Dome Ceiling Mounting Pole 500



TR-SE45-IN

Dome Ceiling Mounting Pole 200



TR-CE45-IN

Dome Indoor Ceiling Mounting Bracket



TR-WE45-IN

Dome Wall Mounting Bracket



TR-WE45-A-IN

Long Wall Mounting Bracket for Dome



TR-JB12-IN
Dome Junction Box



TR-WE45-B-IN
Dome Gooseneck Bracket



TR-UP08-A-IN
Dome Pole Mounting Bracket



TR-UP08-B-IN
Aluminium Alloy Pole Mounting Bracket



TR-UC08-A-IN
Dome Corner Mounting Bracket



TR-UC08-B-IN
Aluminium Alloy Corner Mounting Bracket



Unlimited New View

浙江宇视科技有限公司



<http://www.uniview.com>



overseasbusiness@uniview.com; globalsupport@uniview.com



South Tower, Building 10, Wanlun Science Park, 88 Jiangling Road, Hangzhou, P.R.China



©2023-2025 Zhejiang Uniview Technologies Co., Ltd. All rights reserved.

*Product specifications and availability are subject to change without notice.

虽然我司试图在本资料中提供准确的信息，但不保证资料的内容不含有技术性误差或印刷性错误，为此我司对本资料中的不准确不承担任何责任。我司保留在没有通知或提示的情况下对本资料的内容进行修改的权利。