

4MP Lighthunter WDR Network IR Bullet Camera

IPC254EB-DX22GK-I0



Features

- High quality image with 4MP, 1/1.8" CMOS sensor
- 2688*1520@30fps in the main stream
- Ultra 265, H.265, H.264, MJPEG
- Triple streams offer more choices for different clients in an integrated solution
- 22X optical zoom allows for closer viewing of subjects
- Smart intrusion prevention, support false alarm filtering, include Cross Line, Intrusion, Enter Area, Leave Area detection
- People Counting, support people flow counting and crowd density monitoring, suitable for different statistical scenarios
- LightHunter technology ensures ultra-high image quality in low illumination environment
- Up to 120 dB Optical WDR (Wide Dynamic Range)
- Built-in heater, support normal start-up at low temperature
- Support optical interface & network interface serial connection, reduce the cost of wiring

Specifications

Model	IPC254EB-DX22GK-I0
-------	--------------------

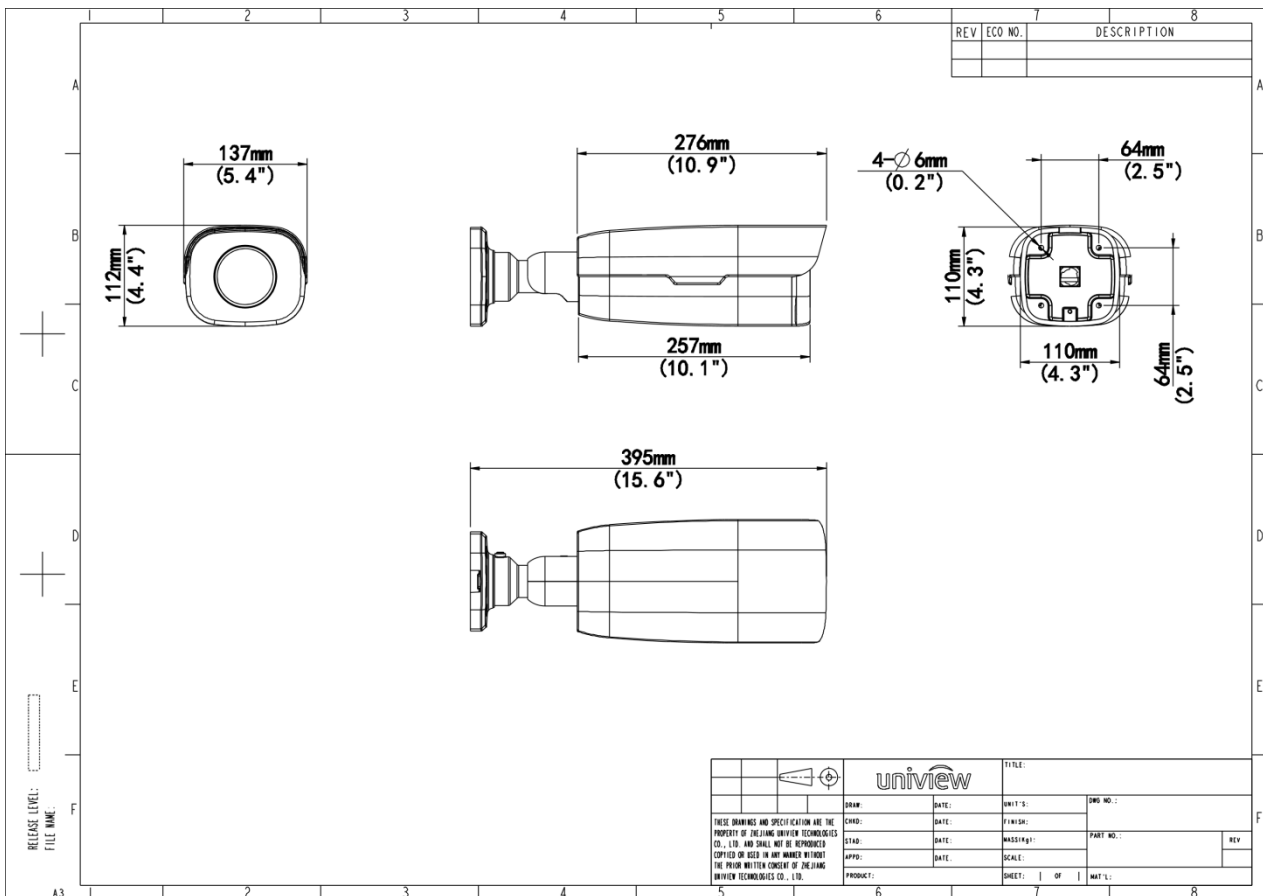
Camera	
Sensor	1/1.8" CMOS
Min. Illumination	Colour:0.001 lux (F1.5, AGC ON) 0 lux with IR
Day/Night	IR-cut filter with auto switch (ICR)
Shutter	Auto/Manual, 1 to 1/100000 s
WDR	120 dB
Adjustment Angle	Pan: 0° to 360°, tilt: 0° to 90°, rotate: 0° to 360°
S/N	> 56dB
Lens	
Focal Length	6.5 to 143 mm
Optical Zoom	22X
Digital Zoom	16X
Iris	F1.5
Field of View (H)	3.49°~60.47°
Field of View (V)	1.97°~36.30°
Field of View (D)	4.12°~74.38°
DORI	
DORI Distance (Lens)	6.5~143(mm)
DORI Distance (Detect)	97.5m(319.9ft)~2145.0m(7037.4ft)
DORI Distance (Observe)	39.0m(128.0ft)~858.0m(2815.0ft)
DORI Distance (Recognize)	19.5m(64.0ft)~429.0m(1407.5ft)
DORI Distance (Identify)	9.8m(32.0ft)~214.5m(703.7ft)
Video	
Video Compression	Ultra 265, H.265, H.264, MJPEG
Video Bit Rate	128 Kbps to 16 Mbps
U-code	Support
ROI	Support
Video Stream	Triple Streams
Privacy Mask	Up to 4 areas
OSD	Up to 10 OSDs

Frame Rate-Main Stream	4MP (2688*1520), Max 30fps;
Frame Rate-Sub Stream	1080P (1920*1080), Max 30fps;
Frame Rate-Third Stream	D1 (720*576), Max 30fps
Events	
Basic Detection	Motion Detection, Tampering Alarm, Audio Detection, Object Removed, Object Left Behind
General Function	Watermark, IP Address Filtering, Access Policy, ARP Protection, RTSP Authentication, User Authentication, Alarm Input, Alarm Output
Audio	
Audio Compression	G.711U, G.711A
Audio Bitrate	128 Kbps
Two-way Audio	Support
Suppression	Support
Sampling Rate	16KHZ
Storage	
Edge Storage	Micro SD, up to 512 GB
Network Storage	ANR, NAS (NFS)
Network	
User/Host	Up to 32 users. 3 user levels: administrator, common user and operator
Protocols	SSH, IGMP, RTP, RTCP, SMTP, IPv4, IPv6, ICMP, ARP, TCP, UDP, DHCP, PPPoE, RTSP, RTMP, DNS, DDNS, NTP, FTP, UPnP, HTTP, HTTPS, 802.1x, SNMP, QoS, SSL/TLS
Compatible Integration	ONVIF (Profile S, Profile G, Profile T, Profile M), API, SDK
Security	TLS1.3, Password Protection, Strong Password, HTTPS Encryption, Export Operation Logs, Basic and Digest Authentication for RTSP, Digest Authentication for HTTP, TLS 1.2, WSSE and Digest Authentication for ONVIF
Client	EZStation, UNV-Link, UNV-Link Pro
Web Browser	Plug-in required live view: IE 10+, Chrome 45+, Firefox 52+, Edge 79+, Plug-in free live view: Chrome 57+, Firefox 58+, Edge 16+
Intelligent	
Exception Detection	Object Removed, Object Left Behind
Smart Intrusion Prevention	Cross line detection, intrusion detection, enter area detection, leave area detection (support false alarm filtering and the classification of human, non-motor vehicle and vehicle)

People Counting	Support People Flow Counting and Crowd Density Monitoring
Image	
White Balance	Auto, Outdoor, Fine Tune, Sodium Lamp, Locked, Auto2
Digital Noise Reduction	2D/3D DNR
Flip	Normal, Flip Vertical, Flip Horizontal, 180°, 90° Clockwise, 90° Anti-clockwise
HLC	Support
BLC	Support
Smart IR	Support
Defog	Digital Defog
Heatwave Reduction	Support
Interface	
Audio I/O	1 Input: impedance 1 k Ω , amplitude 2.5 V [p-p], 1 Output: impedance 600 Ω , amplitude 2.5 V [p-p]
Alarm I/O	2/1
Serial Port	1 channel RS485 interface
Network	1 \times RJ45 10 M/100 M/1000 M Base-TX Ethernet + 1 \times 100 M/1000 M SFP
Video Output	1 BNC (For debugging)
Illuminator	
Illumination Distance (IR)	150 m (492.1 ft)
IR On/Off Control	Auto/Manual
Wavelength	850 nm
Certification	
Environment	CE-RoHS (2011/65/EU;(EU)2015/863); WEEE (2012/19/EU); Reach (Regulation (EC) No 1907/2006)
Protection	IP67 (IEC 60529:1989+AMD1:1999+AMD2:2013)
General	
Power	AC24V(\pm 25%), PoE(IEEE 802.3at)
Power Consumption	Max 16W
Power Interface	Wires with cold-pressed terminal
Dimensions	395 x 137 x 112 mm (15.6" x 5.4" x 4.4") (L x W x H)
Weight	3.7kg(8.16lb)
Working Environment	-40 $^{\circ}$ C to 70 $^{\circ}$ C (-40 $^{\circ}$ F to 158 $^{\circ}$ F), Humidity: \leq 95% RH (non-condensing)

Storage Environment	-40 °C to 70 °C (-40 °F to 158 °F), Humidity: ≤ 95% RH (non-condensing)
Surge Protection	6 KV
Reset Button	Support
Web Client Language	22 Languages: Traditional Chinese, English, Simplified Chinese, Polish, German, Russian, French, Korean, Dutch, Czech, Portuguese (Europe), Portuguese (Brazil), Japanese, Thai, Turkish, Spanish (Latin America), Spanish (Europe), Hungarian, Italian, Vietnamese, Arabic, Slovak
Heater	Support

Dimensions



Accessories

TR-JB07-D-IN

Bullet Junction Box(Support wiring from behind)



TR-UP06-C-IN

Pole Mounting Bracket for Bullet Junction Box Only



TR-A01-IN

NPT 3/4" Waterproof Cable Gland



Zhejiang Uniview Technologies Co., Ltd.

No. 369, Xietong Road, Xixing Sub-district, Binjiang District, Hangzhou City, 310051, Zhejiang Province, China

Email: overseasbusiness@uniview.com; globalsupport@uniview.com

<http://www.uniview.com>

©2023-2025 Zhejiang Uniview Technologies Co., Ltd. All rights reserved.

*Product specifications and availability are subject to change without notice.

*Despite our best efforts, technical or typographical errors may exist in this document. Uniview cannot be held responsible for any such errors and reserves the right to change the contents of this document without prior notice.