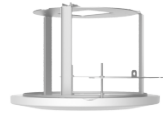


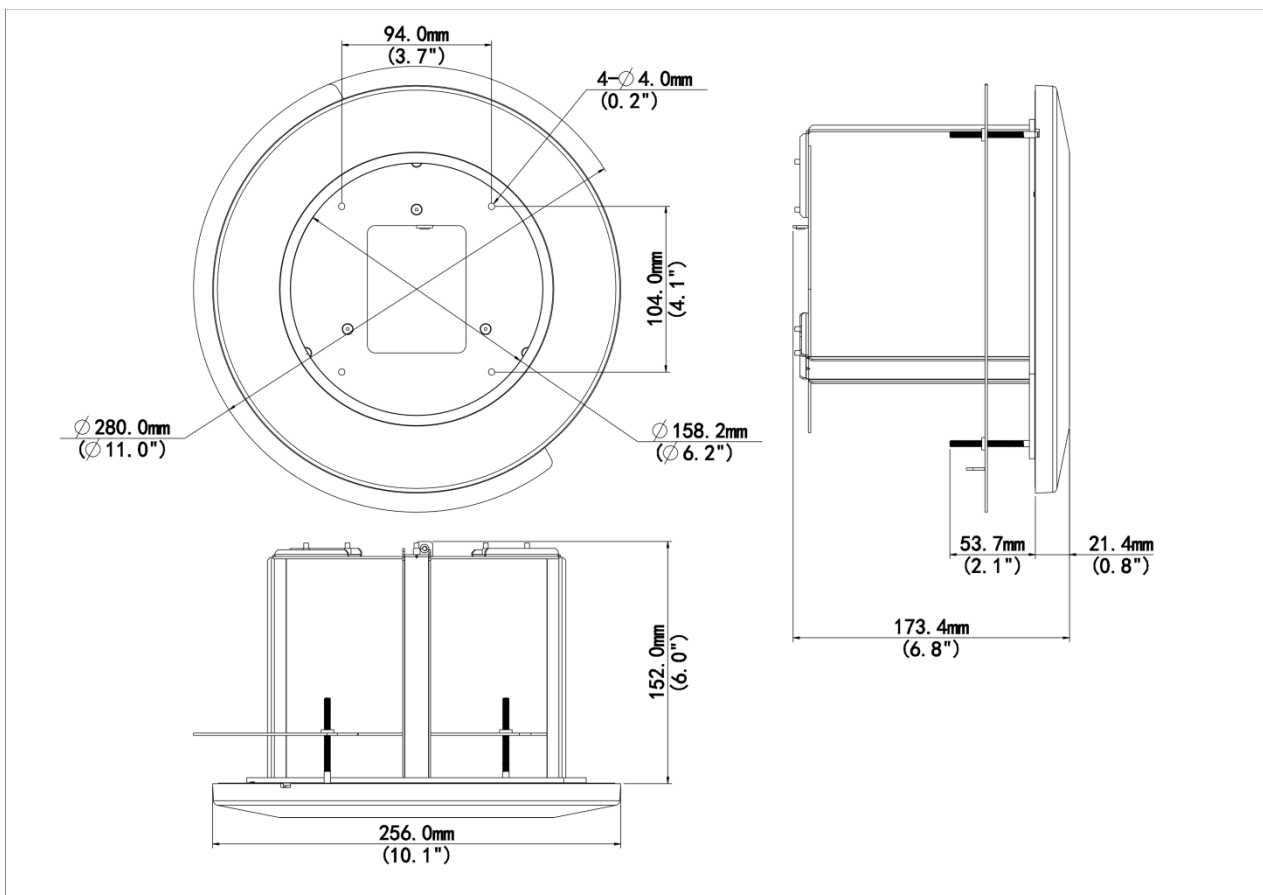
Indoor PTZ Dome In-ceiling Mount
TR-FM200-IN



Specifications

Model	TR-FM200-IN
Bracket	
Application	Indoor, indoor PTZ dome in-ceiling installation
Bracket Dimensions	Φ280mmx172.4mm(Φ11"x6.8") In-ceiling hole: Φ230mm(Φ9.05")
Bracket Weight	2kg(4.4lb)
Bracket Material	Sheet metal and PC

Dimensions



Ordering Info

Product Model	Description
TR-FM200-IN	In-ceiling Bracket for Indoor Dome

Unlimited New View

Zhejiang Uniview Technologies Co., Ltd.



<http://www.uniview.com>



overseasbusiness@uniview.com; globalsupport@uniview.com



No. 369, Xietong Road, Xixing Sub-district, Binjiang District, Hangzhou City, 310051, Zhejiang Province, China



©2023-2025 Zhejiang Uniview Technologies Co., Ltd. All rights reserved.

*Product specifications and availability are subject to change without notice.

Despite our best efforts, technical or typographical errors may exist in this document. Uniview cannot be held responsible for any such errors and reserves the right to change the contents of this document without prior notice.