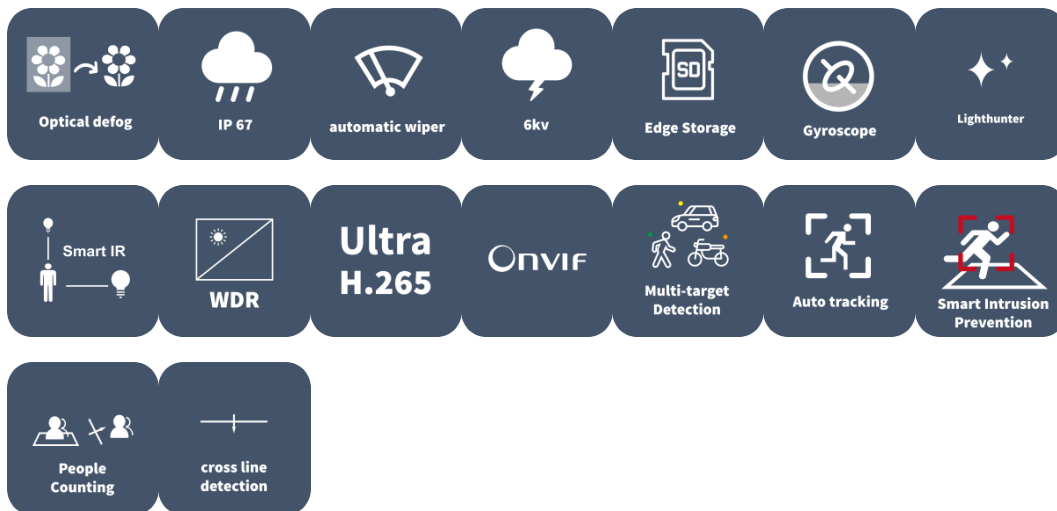


2MP 45X LightHunter Intelligent Network Positioning System

IPC7622ER-X45-VH1



Features

- 1920*1080@60fps in the main stream
- 45X Optical Zoom
- Smart intrusion prevention, Support false alarm filtering: Cross line detection, Intrusion detection, Enter area detection
- Leave area detection
- automatic selection of best snapshots, support face detection masked area
- People Counting, Support people flow counting and crowd density monitoring
- Support Optical defog, Self-adaptive defog

- Lighthunter technology ensures ultra-high image quality in low illumination environment
- Smart IR, up to 400m (1312ft) IR distance
- Rain-sensing auto wiper
- Power supply: DC $\pm 48V \pm 25\%$, DC $24V \pm 15\%$ (DC20V~DC60V), AC $24V \pm 25\%$
- Alarm 7 in and 2 out, Audio 1 in and 1 out
- IP67 ingress protection

Specifications

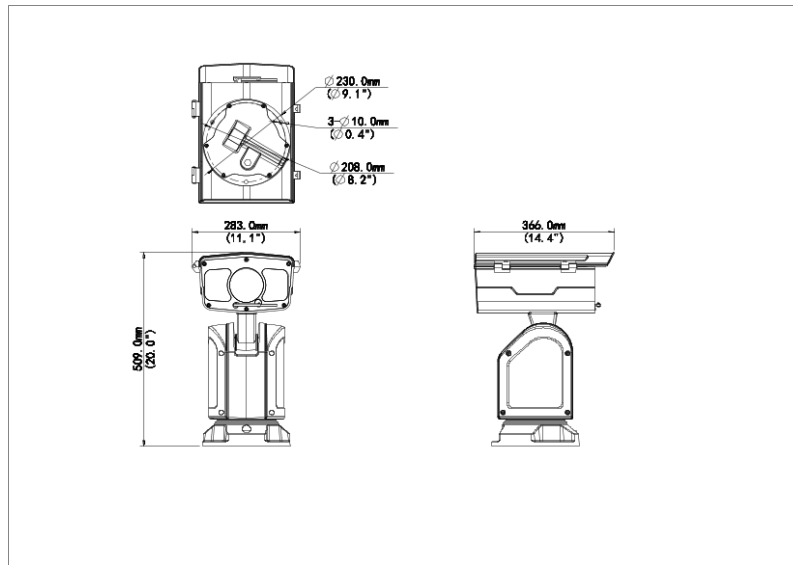
Camera	Description
Sensor	1/1.8" CMOS
Min. Illumination	Colour: 0.0005Lux (F1.2, AGC ON) 0Lux with IR
Day/Night	IR-cut filter with auto switch (ICR)
Shutter	Auto/Manual, 1 ~ 1/100000s
WDR	120dB
S/N	>52dB
Lens	Description
Focal Length	5.7 ~ 256.5 mm
Digital Zoom	16X
Optical Zoom	45X
Iris	F1.2(W)~F4.6(T)
Field of View (H)	59.47°(W)~2.21°(T)
Field of View (V)	35.62°(W)~1.21°(T)
Field of View (D)	77.3°(W)~2.6°(T)
DORI	Description
DORI Distance (Lens)	5.7~256.5mm
DORI Distance (Detect)	107.2m-3330m (351ft-10927ft)
DORI Distance (Observe)	42m-1332m(140ft-4370ft)
DORI Distance (Recognize)	21m-666m(70ft-2185ft)
DORI Distance (Identify)	10m-333m(35ft-1092ft)

Illuminator	Description
Illumination Distance (IR)	400 m (1312.3 ft)
IR On/Off Control	Auto/Manual
Wavelength	850 nm
Video	Description
Privacy Mask	24 areas, up to 8 areas per scene
Video Compression	Ultra 265; H.265; H.264; MJPEG
Frame Rate	Main Stream : 2MP (1920*1080),Max 60fps; Sub Stream : 2MP (1920*1080), Max 60fps; Third Stream : D1 (720*576), Max 60fps
Video Bit Rate	128Kbps~16384Kbps
U-code	Support
ROI	Support
Video Stream	Triple Streams
OSD	Up to 10 OSDs
Intelligent	Description
People Counting	Support People Flow Counting and Crowd Density Monitoring
Smart Intrusion Prevention	Cross line detection, Intrusion detection, Enter area detection, Leave area detection (support false alarm filtering and the classification of human, non-motor vehicle and vehicle)
Multi-target Detection	Support
Image	Description
Defog	Support
White Balance	Auto; Outdoor; Fine Tune; Sodium Lamp; Locked; Auto2
Digital Noise Reduction	2D/3D DNR
Flip	Normal; Flip Vertical; Flip Horizontal; 180°
HLC	Support
BLC	Support
Events	Description
Basic Detection	Motion Detection; Ultra Motion Detection; Tampering Alarm; Audio Detection; Voltage Detection; Object Removed; Object Left Behind
General Function	Watermark; IP Address Filtering; Alarm Input; Alarm Output; Access Policy; ARP Protection; RTSP Authentication; User Authentication; HTTP Authentication

Audio	Description
Audio Compression	G.711U; G.711A
Audio Bitrate	128 Kbps
Two-way Audio	Support
Suppression	Support
Sampling Rate	16KHZ
Storage	Description
Edge Storage	Micro SD, up to 512 GB
Network Storage	ANR; NAS (NFS)
PTZ	Description
Pan Range	360° (endless)
Pan Speed	0.1°/s~140°/s
Tilt Range	+45°~-90°
Tilt Speed	0.1°/s ~ 50°/s
Number of Presets	1024
Route Patrol	16 patrols, up to 32 actions for each patrol
Recorded Patrol	Support
Preset Patrol	16 patrols, up to 64 presets for each patrol
Patrol Stay Time	15s ~ 1800s
Preset Image Freeze	Support
Home Position	Support
Network	Description
User/Host	Up to 32 users. 3 user levels: administrator,common user and operator
Protocols	IPv4; IGMP; ICMP; ARP; TCP; UDP; DHCP; PPPoE; RTP; RTSP; RTCP; DNS; DDNS; NTP; FTP; UPnP; HTTP; HTTPS; 802.1x; SNMP; QoS; RTMP; SSL/TLS; IPv6
Compatible Integration	ONVIF (Profile S, Profile G, Profile T); API; SDK
Security	Password Protection; Strong Password; HTTPS Encryption; Export Operation Logs; Basic and Digest Authentication for RTSP; Digest Authentication for HTTP; TLS 1.2; WSSE and Digest Authentication for ONVIF
Client	EZStation; UNV-Link; UNV-Link Pro
Web Browser	Plug-in required live view: IE 10 and above,Chrome 45 and above,Firefox 52 and above,Edge 79 and above

Interface	Description
Audio I/O	1 Input: impedance 1k Ω ; amplitude 2.5V [p-p]; 1 Output: impedance 600 Ω ; amplitude 2.5V [p-p]
Alarm I/O	7/2
Serial Port	1 * RS485
Network	1 x RJ45 1000M Base-TX Ethernet
Video Output	1 BNC (For debugging)
Certification	Description
EMC	CE-EMC (EN 55032:2015, EN 50130-4:2011+A1:2014, EN 61000-3-2:2014, EN 61000-3-3:2013)FCC (FCC CFR 47 part15 B, ANSI C63.4-2014)
Safety	CE LVD (EN IEC 62368-1:2020+A11:2020)UL (UL 62368-1, 3rd Ed.,2021-10-22)
Environment	CE-ROHS (2011/65/EU;(EU)2015/863)
Protection	IP67 (IEC 60529:1989+AMD1:1999+AMD2:2013)
General	Description
Power	DC $\pm 48V \pm 25\%$, DC $24V \pm 15\%$ (DC20V~DC60V), AC $24V \pm 25\%$
Power Consumption	Max 103W
Power Interface	Wires with cold-pressed terminal
Dimensions	283 x 366 x 509mm (11.1" x 14.4" x20.0") (L*W*H)
Weight	14.76Kg
Working Environment	-40 $^{\circ}$ C ~ 70 $^{\circ}$ C (-40 $^{\circ}$ F ~ 158 $^{\circ}$ F), Humidity: $\leq 95\%$ RH (non-condensing)
Storage Environment	-40 $^{\circ}$ C ~ 70 $^{\circ}$ C (-40 $^{\circ}$ F ~ 158 $^{\circ}$ F), Humidity: $\leq 95\%$ RH (non-condensing)
Surge Protection	6KV
Reset Button	Support

Dimensions



Accessories

TR-WM08-B

Wall Mounting Bracket for Explosion-proof Pan-Tilt



Zhejiang Uniview Technologies Co., Ltd.

No. 369, Xietong Road, Xixing Sub-district, Binjiang District, Hangzhou City, 310051, Zhejiang Province, China (Zhejiang) Pilot Free Trade Zone, China

Email: overseasbusiness@uniview.com; globalsupport@uniview.com

<http://www.uniview.com>

©2024 Zhejiang Uniview Technologies Co., Ltd. All rights reserved.

*Product specifications and availability are subject to change without notice.

*Despite our best efforts, technical or typographical errors may exist in this document. Uniview cannot be held responsible for any such errors and reserves the right to change the contents of this document without prior notice.