

4MP LPR Bullet Camera (2.8 to 12mm, PoE, H.265, warm light(IR)) PKC2640@Z28(-IR)-P



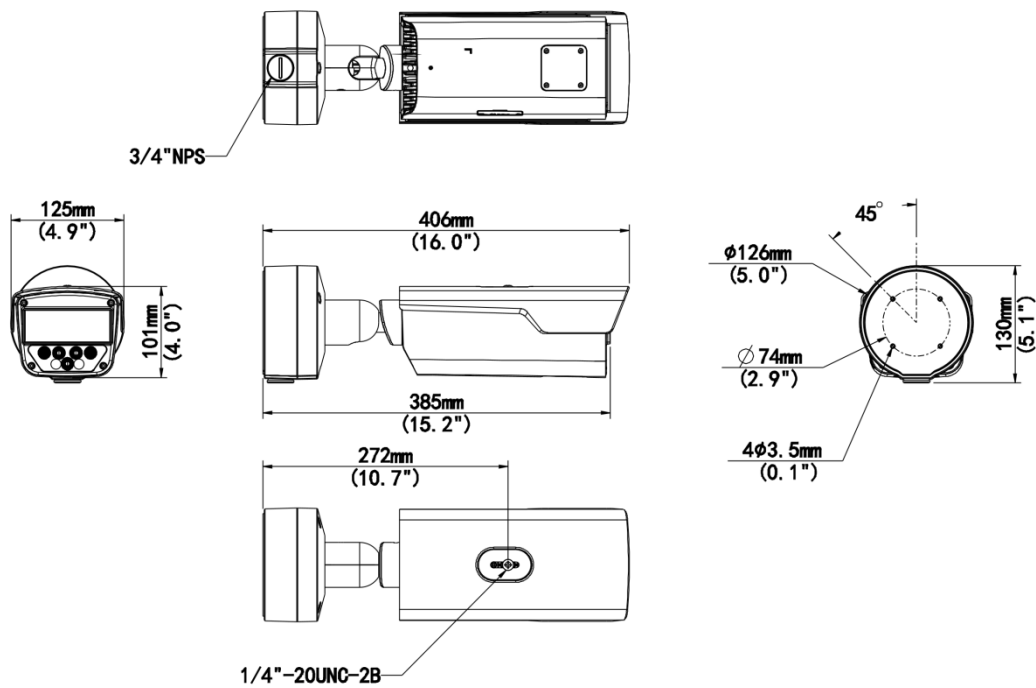
Specifications

Model	PKC2640@Z28-P	PKC2640@Z28-IR-P
Camera		
Sensor	1/1.8-inch 4MP CMOS	
Focal length	2.8 to 12mm	
Shutter	Auto/Manual, range: 1/30 to 1/100000s	
Minimum illumination	0.001lux (F1.4)	0.002lux (F1.6)
FOV	Horizontal FOV: 105.1° to 50.4°, Vertical FOV: 54.5° to 28.8°, Diagonal FOV: 123° to 55.9°	
WDR	120 dB	
Image		
Image collection format	2688*1520@30 (default), 2688*1520@25	
Frame rate	30 (default), 25, 22, 20, 18, 16, 15, 12.5, 10, 8, 6, 5, 4, 3, 2, 1	
Video compression	H.264 (default), H.265	
ROI	Supports up to 8 regions	
Video OSD	Supports 8 overlay areas and allows contents including date, time, date&time, zoom ratio, custom contents	
Image OSD	Supports 8 overlay areas and allows contents including time, license plate number, device ID, camera ID, allowlist, image authentication ID, custom contents (3 items), location	
Display Parameters		
Resolution	Main stream: 2688*1520, 1080P (default), 720P, D1; Sub stream: 720P (default), D1, 2CIF, CIF; Third stream: D1 (default), 2CIF, CIF	


Smart			
Application scenario	≤ 30km/h for entrances and exits, ≤ 80km/h for regular roads; Supports simultaneous application to road and entry/exit scenes without switching		
Vehicle detection mode	Supports video detection		
License plate number recognition	Supports recognition of license plates with numbers and letters by default		
List configuration	Supports allowlist and blocklist configuration, each list allows 20,000 items Supports import, export, add, and delete operations		
Barrier opening policy	Open barrier only for the recognized vehicles Open barrier for all vehicles Open barrier only for vehicles on the allowlist Open barrier for vehicles not on the blocklist Configurable Boolean output ID		
Storage			
Edge storage	Supports ANR with a Micro SD card, up to 256GB		
Structure			
Illumination	<table border="1"> <tr> <td>Built-in integrated illumination module, including 4 warm light LEDs, 50m illumination distance, automatic on/off control</td> <td>Built-in integrated illumination module, including 4 IR LEDs, 50m illumination distance, automatic on/off control</td> </tr> </table>	Built-in integrated illumination module, including 4 warm light LEDs, 50m illumination distance, automatic on/off control	Built-in integrated illumination module, including 4 IR LEDs, 50m illumination distance, automatic on/off control
Built-in integrated illumination module, including 4 warm light LEDs, 50m illumination distance, automatic on/off control	Built-in integrated illumination module, including 4 IR LEDs, 50m illumination distance, automatic on/off control		
Bracket	3-axis mounting bracket		
Junction box	The camera comes with a junction box for storing tail cable		
Interface			
BNC	PAL,NTSC		
Network interface	1×10M/100M RJ45		
Serial port	1 × RS485		
Boolean output	1 relay output, withstand voltage: AC 125V/0.3A, DC 30V/1A		
Boolean input	2 x input, supports level (up to DC 5V) and switch signal		
Audio interface	1 × audio input, 1 × audio output		
Storage interface	1 × Micro SD card slot		
Reset button	Support		
Network			
Protocols	IGMP,IPv6,ICMP,ARP,TCP,UDP,DHCP,PPPoE,RTSP,DNS,DDNS,NTP,UPnP,HTTP,HTTPS,802.1x,SNMP,QoS,SSL/TLS,SSH,IPv4		
Compatible Integration	ONVIF (Profile S, Profile G, Profile T),SDK, API		
General			
Weight	2.1kg		
Ingress protection	IP67, IK10		
Power supply	DC12V + 25% - 10% Max. power consumption: 20W Supports PoE (802.3at, class 4)		
Dimensions (L×W×H)	406mm x 126mm x 130mm		
Operating environment	-40°C to 60°C, ≤90% RH		

Heater	N/A
Compliance	
NDA Compliant	Support
Certification	
EMC	CE-EMC (EN 55032:2015+A11:2020+A1:2020, EN 61000-3-3:2013+A1:2019+A2:2021, EN IEC 61000-3-2:2019+A1:2021, EN 50130-4:2011+A1:2014) FCC(FCC CFR 47 part15 B, ANSI C63.4 2014)
Safety	EN IEC 62368-1:2020+A11:2020 UL (UL 62368-1, 2nd Ed., Issue Date: 2014-12-01)
Environment	CE-RoHS (2011/65/EU;(EU)2015/863);WEEE (2012/19/EU)
Protection	IP67(IEC60529:1989+AMD1:1999+AMD2:2013) IK10(IEC 62262:2002+AMD1:2021)

Dimensions



Accessories

<p>TR-UP06-C-IN Pole Mounting Bracket for Bullet Junction Box Only</p>		
		

Ordering Info

Product Model	Config	Description
PKC2640	Z28-P	4MP LPR Bullet Camera (2.8 to 12mm, PoE, H.265, warm light)
	Z28-IR-P	4MP LPR Bullet Camera (2.8 to 12mm, PoE, H.265, IR)

Unlimited New View

Zhejiang Uniview Technologies Co., Ltd.

 <http://www.uniview.com>

 overseasbusiness@uniview.com; globalsupport@uniview.com

 No. 369, Xietong Road, Xixing Sub-district, Binjiang District, Hangzhou City, 310051, Zhejiang Province, China



©2023-2025 Zhejiang Uniview Technologies Co., Ltd. All rights reserved.

*Product specifications and availability are subject to change without notice.

Despite our best efforts, technical or typographical errors may exist in this document. Uniview cannot be held responsible for any such errors and reserves the right to change the contents of this document without prior notice.