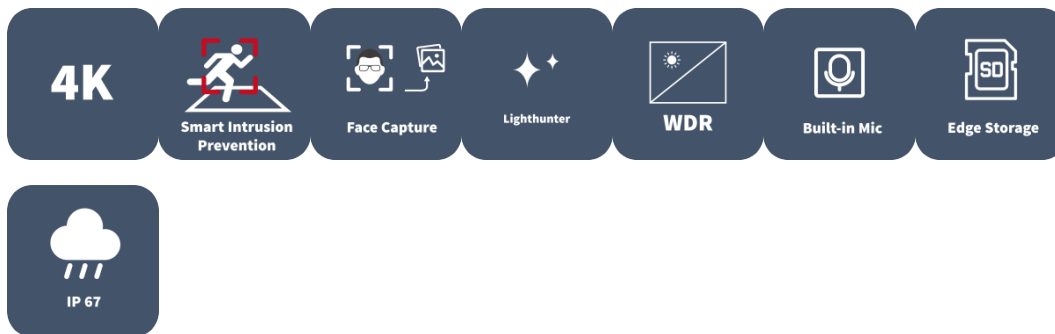


8MP Lighthunter Intelligent Fixed IR Bullet Network Camera

IPC2B18SS-ADF28(40)K-I1



Features

- High quality image with 8MP, 1/2.8"CMOS sensor
- 8MP (3840*2160)@ 30/25(default)fps; 5MP (3072*1728)@ 30/25fps; 4MP (2560*1440) @30/25fps; 2MP (1920*1080) @30/25fps
- Ultra 265, H.265, H.264, MJPEG
- Intelligent perimeter protection, include cross line, intrusion, enter area, leave area detection
- Based on target classification, smart intrusion prevention significantly reduce false alarm caused by leaves, birds and lights etc., accurately focus on human and, motor vehicle and non-motor vehicle
- Intelligent
- Intelligent People Flow Counting and Crowd Density Monitoring
- Smart intrusion prevention with Color retrieval
- Auto Scene Match (ASM) (Only WDR)

- LightHunter technology ensures ultra-high image quality in low illumination environment
- 130dB true WDR technology enables clear image in strong light scene
- Support 9:16 Corridor Mode
- Alarm:1 in/1 out, Audio: 1 in/1 out
- Built-in Mic
- Smart IR, up to 80m (262 ft) IR distance
- Supports 512 G Micro SD card
- IP67 protection

Specifications

Camera	Description
Max Resolution	8MP
Sensor	1/2.8" CMOS
Min. Illumination	Colour: 0.002 lux (F1.6, AGC ON) 0 lux with IR on
Day/Night	IR-cut filter with auto switch (ICR)
Shutter	Auto/Manual, 1 ~ 1/100000s
Adjustment Angle	Pan: 0° ~ 360°, Tilt: 0° ~ 90°, Rotate: 0° ~ 360°
S/N	>56dB
WDR	130dB
Lens	Description
Focal Length	IPC2B18SS-ADF28K-I1:2.8 mm IPC2B18SS-ADF40K-I1:4.0 mm
Iris Type	Fixed
Iris	F1.6
Field of View (H)	IPC2B18SS-ADF28K-I1:97.49° IPC2B18SS-ADF40K-I1:88.35°
Field of View (V)	IPC2B18SS-ADF28K-I1:52.31° IPC2B18SS-ADF40K-I1:49.61°
Field of View (D)	IPC2B18SS-ADF28K-I1:102.29° IPC2B18SS-ADF40K-I1:94.19°
Lens Type	Fixed

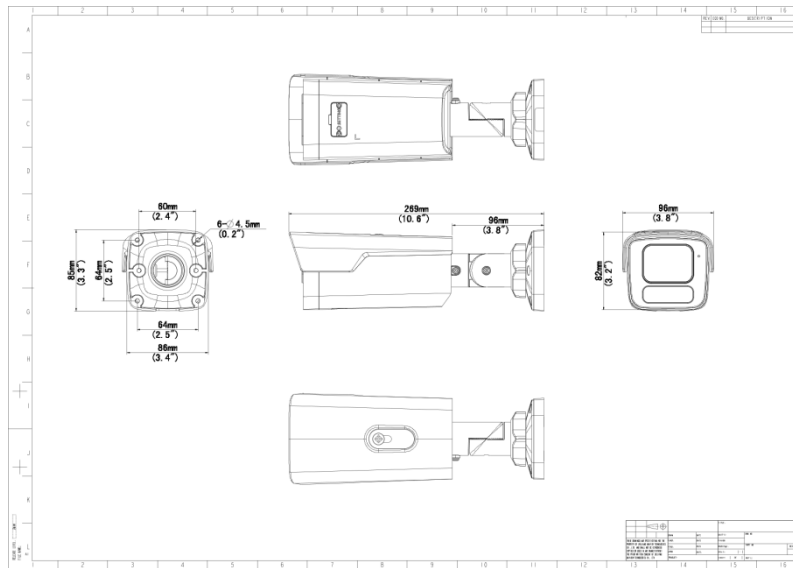
DORI	Description
DORI Distance(Lens)	IPC2B18SS-ADF28K-I1:2.8mm IPC2B18SS-ADF40K-I1:4.0mm
DORI Distance(Detect)	IPC2B18SS-ADF28K-I1:86.9m(285.1ft) IPC2B18SS-ADF40K-I1:124.1m(407.3ft)
DORI Distance(Observe)	IPC2B18SS-ADF28K-I1:34.8m(114.0ft) IPC2B18SS-ADF40K-I1:49.7m(162.9ft)
DORI Distance(Recognize)	IPC2B18SS-ADF28K-I1:17.4m(57.0ft) IPC2B18SS-ADF40K-I1:24.8m(81.5ft)
DORI Distance(Identify)	IPC2B18SS-ADF28K-I1:8.7m(28.5ft) IPC2B18SS-ADF40K-I1:12.4m(40.7ft)
Illuminator	Description
Illumination Distance(IR)	80 m (262 ft)
IR On/Off Control	Auto/Manual
Wavelength	850 nm
Video	Description
Video Compression	Ultra 265; H.265; H.264; MJPEG
H.264 Code Profile	Baseline profile, Main profile, High profile
Frame Rate	Main Stream: 8MP (3840*2160), Max 30fps;5MP (3072*1728), Max 30fps;4MP (2560*1440), Max 30fps; 1080P (1920*1080), Max 30fps; Sub Stream: 720P (1280*720), Max 30fps; D1 (720*576), Max 30fps; 640*360, Max 30fps; 2CIF(704*288), Max 30fps; CIF(352*288), Max 30fps; Third Stream: D1 (720*576), Max 30fps; 640*360,Max 30fps; 2CIF(704*288), Max 30fps; CIF(352*288), Max 30fps
Video Bit Rate	128 Kbps ~ 16 Mbps
U-code	Support
OSD	Up to 8 OSDs
Privacy Mask	Up to 4 areas
ROI	Support
Video Stream	Triple Streams
Image	Description
Auto Scene Match (ASM)	Support (Only WDR)
White Balance	Auto; Outdoor; Fine Tune; Sodium Lamp; Locked; Auto2

Digital Noise Reduction	2D/3D DNR
Smart IR	Support
Flip	Normal; Flip Vertical; Flip Horizontal; 180°; 90°Clockwise; 90°Anti-clockwise
Dewarping	N/A
HLC	Support
BLC	Support
Defog	Digital Defog
Intelligent	Description
Smart Intrusion Prevention	Support False Alarm Filtering: Cross Line Detection, Intrusion Detection, Enter Area Detection, Leave Area Detection
Recognition	
Statistical Analysis	People Counting; support people flow counting and crowd density monitoring
Attribute Collection	SIP with color retrieval
Events	Description
Basic Detection	Motion Detection; Ultra Motion Detection; Tampering Alarm; Audio Detection
General Function	Watermark; IP Address Filtering; Access Policy; ARP Protection; RTSP Authentication; User Authentication; HTTP Authentication; Alarm Input; Alarm Output
Audio	Description
Audio Compression	G.711U; G.711A
Audio Bitrate	64 Kbps
Two-way Audio	Support
Suppression	Support
Sampling Rate	8 KHz
Storage	Description
Edge Storage	Micro SD, up to 512 GB
Network Storage	ANR; NAS (NFS)
Network	Description
Protocols	IPv4; IPv6; IGMP; ICMP; ARP; TCP; UDP; DHCP; PPPoE; RTP; RTSP; RTCP; RTMP; DNS; DDNS; NTP; FTP; UPnP; HTTP; HTTPS; SMTP; 802.1x; SNMP; QoS; SSL/TLS; SSH
Compatible Integration	ONVIF (Profile S, Profile G, Profile T); API; SDK
User/Host	Up to 32 users. 3 user levels: administrator, common user and operator

Security	Password Protection; Strong Password; HTTPS Encryption; Export Operation Logs; Basic and Digest Authentication for RTSP; Digest Authentication for HTTP; TLS 1.2; WSSE and Digest Authentication for ONVIF
Client	UNV-Link; UNV-Link Pro; EZStation
Web Browser	Plug-in required live view: IE 10 and above, Chrome 45 and above, Firefox 52 and above, Edge 79 and above; Plug-in free live view: Chrome 57.0 and above, Firefox 58.0 and above, Edge 16 and above
Interface	Description
Audio I/O	1 Input: impedance 35k Ω ; amplitude 2V [p-p]; 1 Output: impedance 600 Ω ; amplitude 2V [p-p]
Alarm I/O	1/1
Serial Port	N/A
Built-in Mic	Support
Built-in Speaker	N/A
WIFI	N/A
Network	1 x RJ45 10M/100M Base-TX Ethernet
Video Output	N/A
Certification	Description
EMC	CE-EMC (EN 55032, EN 61000-3-3, EN IEC 61000-3-2, EN 50130) FCC (FCC 47 CFR part15 B)
Safety	CE-LVD (EN 62368-1) UL/CUL (UL 62368-1, CAN/CSA C22.2 No. 62368-1)
Environment	CE-RoHS (2011/65/EU;(EU)2015/863); WEEE (2012/19/EU)
Protection	IP67 (IEC 60529)
General	Description
Power	DC 12V \pm 25%, PoE (IEEE 802.3af) Power consumption: Max 10.5W
Power Interface	\varnothing 5.5 mm coaxial power plug
Dimensions	269 \times 96 \times 82mm (10.6" \times 3.8" \times 3.2")
Weight	0.86kg (1.91lb)
Material	Metal + Plastic
Working Environment	-30 $^{\circ}$ C \sim 60 $^{\circ}$ C (-22 $^{\circ}$ F \sim 140 $^{\circ}$ F), Humidity: \leq 95% RH (non-condensing)
Storage Environment	-30 $^{\circ}$ C \sim 60 $^{\circ}$ C (-22 $^{\circ}$ F \sim 140 $^{\circ}$ F), Humidity: \leq 95% RH (non-condensing)

Surge Protection	4KV
Reset Button	Support
Web Client Language	20 Languages Traditional Chinese, English, Simplified Chinese, Polish, German, Russian, French, Korean, Dutch, Czech, Portuguese (Europe), Portuguese (Brazil), Japanese, Thai, Turkish, Spanish (Latin America), Spanish (Europe), Hungarian, Italian, Vietnamese

Dimensions



Zhejiang Uniview Technologies Co., Ltd.

No. 369, Xietong Road, Xixing Sub-district, Binjiang District, Hangzhou City, 310051, Zhejiang Province, China

Email: overseasbusiness@uniview.com; globalsupport@uniview.com

<http://www.uniview.com>

©2024 Zhejiang Uniview Technologies Co., Ltd. All rights reserved.

*Product specifications and availability are subject to change without notice.

*Despite our best efforts, technical or typographical errors may exist in this document. Uniview cannot be held responsible for any such errors and reserves the right to change the contents of this document without prior notice.