

# 4MP ColorHunter Fixed Bullet Analog Camera

UAC-B134-ADF28(40)MS-W



## Overview

UAC-B134-ADF28(40)MS-W is a 4MP ColorHunter fixed bullet analog camera with a high-performance 1/1.8-inch CMOS sensor and 3D noise reduction technology. It supports flexible switch among TVI/AHD/CVI/CVBS through DIP switches, effectively enhancing product adaptability and diversity of networking solutions. With SYV-75-3 or other coaxial cable types, the camera can achieve low-cost, long-distance, and anti-interference mega-pixel HD video transmission without time delay. It supports audio input, synchronous transmission of audio and video, and provides 24/7 color images.

## Features

- High quality image with 4MP, F1.0 large aperture lens
- TVI/AHD/CVI/CVBS
  - Supports white light illumination, 24/7 color images
- 3D noise reduction technology delivers clean and sharp images
- Supports 180 horizontal flip, 180 vertical flip
- OSD configuration menu, easy to operate
- IP67 waterproof and dustproof design, high reliability
- OSD configuration menu in 11 languages

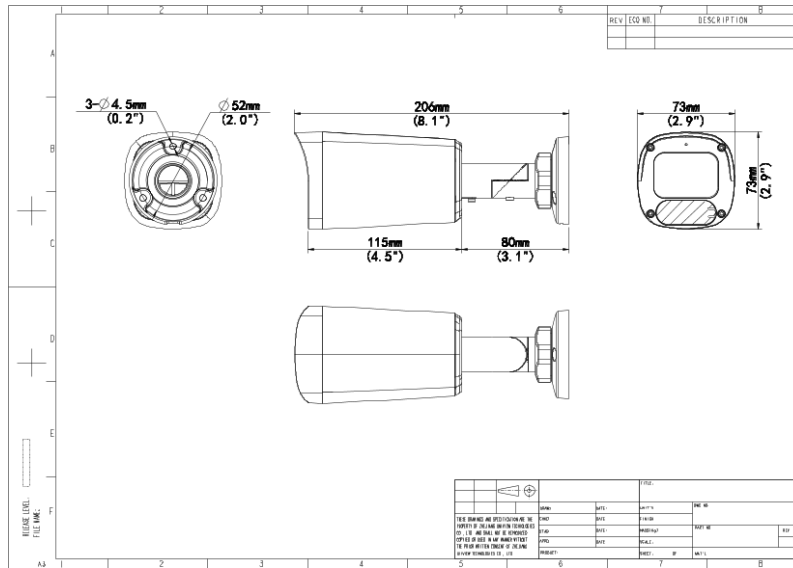
- Built-in microphone for high quality audio transmission via coaxial cables
- 120dB true WDR technology enables clear image in strong light scene

## Specifications

Sensor	Description
Pixel	4MP
Sensor Size	1/1.8" CMOS
Min. Illumination	0.0005 lux (F1.0, AGC ON) 0 lux (white light on)
Lens	Description
Focus	UAC-B134-ADF28MS-W:2.8 mm UAC-B134-ADF40MS-W:4.0 mm
Lens Mount	M16
Angle of View (H)	UAC-B134-ADF28MS-W:105.9° UAC-B134-ADF40MS-W:89.5°
Angle of View (V)	UAC-B134-ADF28MS-W:57.1° UAC-B134-ADF40MS-W:48.0°
Angle of View (D)	UAC-B134-ADF28MS-W:125.0° UAC-B134-ADF40MS-W:105.9°
Illuminator	Description
Illuminator Number	Two white-light illuminators
Illumination Distance	40m
Lifetime	≥60000 hours
Video	Description
Resolution	4MP: 2560 (H) × 1440 (V) 1080P: 1920 (H) × 1080 (V)
Frame Rate	CVI: 4MP@25fps (default), 4MP@30fps, 1080P@25fps, 1080P@30fps AHD: 4MP@25fps, 4MP@30fps, 1080P@25fps, 1080P@30fps TVI: 4MP@15fps, 4MP@25fps, 4MP@30fps, 1080P@25fps, 1080P@30fps CVBS: PAL, NTSC
Shutter Time	PAL: 1/25s-1/50000s, NTSC: 1/30s-1/50000s
Image	Description

Exposure Mode	Four modes: Global(default), BLC, HLC, WDR
Day/Night	24/7 color images
Digital Noise Reduction	2D/3D
White Balance	Two modes: Auto (default), Manual
WDR	120dB WDR
Flip	Supports 180°horizontal flip, 180°vertical flip
Digital Defog	N/A
<b>Audio</b>	<b>Description</b>
Built-in Mic	Support
Camera Audio	CVI: 4MP@25fps, 4MP@30fps, 1080P@25fps, 1080P@30fps
<b>Interface</b>	<b>Description</b>
Power Interface	5.5 mm Power Interface
Video Output	BNC, supports TVI/AHD/CVI/CVBS
<b>Operating Environment</b>	<b>Description</b>
Temperature	-30 °C ~ 60 °C (-22 °F ~ 140 °F)
Humidity	≤95% RH (non-condensing)
Surge Protection	4kV for power&4kV for video output interfaces
<b>General</b>	<b>Description</b>
Power	DC12V ±25%
Power Consumption	MAX 6.8W
Mount	Corner Mount&Pole Mount
Dimensions	206mm*73mm*73mm (L*W*H)
Material	Graphene + Metal
Weight	463g(1.02lb)

# Dimensions



**Zhejiang Uniview Technologies Co., Ltd.**

No. 369, Xietong Road, Xixing Sub-district, Binjiang District, Hangzhou City, 310051, Zhejiang Province, China

Email: [overseasbusiness@uniview.com](mailto:overseasbusiness@uniview.com); [globalsupport@uniview.com](mailto:globalsupport@uniview.com)

<http://www.uniview.com>

©2023-2024 Zhejiang Uniview Technologies Co., Ltd. All rights reserved.

\*Product specifications and availability are subject to change without notice.

\*Despite our best efforts, technical or typographical errors may exist in this document. Uniview cannot be held responsible for any such errors and reserves the right to change the contents of this document without prior notice.