

# Magnetic Lock Z-Bracket (280KG) OEA-MS12-280Z



## Overview

OEA-MS12-280Z is a Z-Bracket for 280kg magnetic locks

## Features

- Used to install the armature plate of 280kg magnetic locks

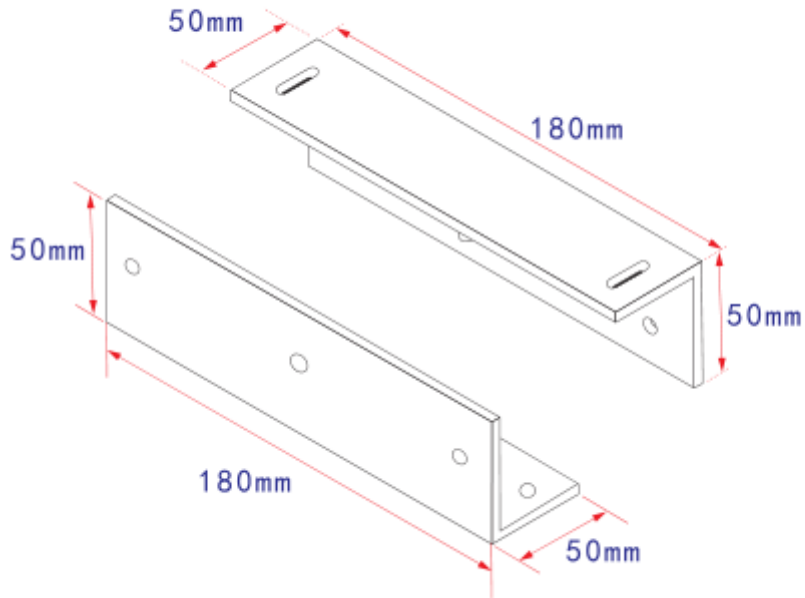
## Specifications

Model	OEA-MS12-280Z
Physical	
Material	Aluminum alloy
Hardware Specification	
Dimensions (L x W x H)	180*50*50mm
Weight	0.48kg

## Ordering Info

Product Model	Description
OEA-MS12-280Z	280KG Single Door Electromagnetic Lock Z-Shaped Bracket

# Dimensions



# Unlimited New View

## Zhejiang Uniview Technologies Co., Ltd.



<http://www.uniview.com>



[overseasbusiness@uniview.com](mailto:overseasbusiness@uniview.com); [globalsupport@uniview.com](mailto:globalsupport@uniview.com)



No. 369, Xietong Road, Xixing Sub-district, Binjiang District, Hangzhou City, 310051, Zhejiang Province, China



©2023-2025 Zhejiang Uniview Technologies Co., Ltd. All rights reserved.

\*Product specifications and availability are subject to change without notice.

Despite our best efforts, technical or typographical errors may exist in this document. Uniview cannot be held responsible for any such errors and reserves the right to change the contents of this document without prior notice.