

4MP ANPR LightHunter Network Bullet Camera

IPS-HC264



Ultra
H.265



ANPR



Built-in Mic



Edge Storage



Corridor Mode



IP 67



IK 10

Features

- High quality image with 4MP, 1/1.8" CMOS sensor
- 2688*1520@60fps in the main stream, which can offering more details of fast moving objects
- Ultra 265, H.265, H.264, MJPEG
- ANPR supports capturing and recognizing car license plate according to the set country or area
- Adjustable far and near lights, suitable for different capture situation
- 8~32mm focal lens, suitable for road scenarios
- Wise-ISP technology, comprehensive improvement in image quality
- Audio 2 in and 1 out, Alarm 3 in and 2 out
- Built in heater, support normal start up at low temperature
- Micro SD, up to 512 GB
- DC12V or PoE (IEEE 802.3at) power supply
- IP67, IK10
- *In according to get the best intelligent performance, please refer to engineering survey guide.

Specifications

| Model | IPS-HC264@HDX4-IR-I1 | IPS-HC264@HDX4-WH-I1 |
|---------------------------|--|--|
| Camera | | |
| Max Resolution | 4 MP | |
| Sensor | 1/1.8" CMOS | |
| Min. Illumination | Colour:0.0005 lux (F1.6, AGC ON) B/W:0.0003 lux (F1.6, AGC ON) 0 lux with IR | Colour:0.0005 lux (F1.6, AGC ON) 0 lux with Light |
| Day/Night | IR-cut filter with auto switch (ICR) | |
| Shutter | Auto/Manual, 1 to 1/100000 s | |
| WDR | 140 dB | |
| Adjustment Angle | Pan: 0° to 360° Tilt: 0° to 90° Rotate: 0° to 360° | |
| S/N | >56 dB | |
| Case Type | Bullet | |
| Lens | | |
| Focal Length | 8 to 32 mm | |
| Digital Zoom | 16X | |
| Optical Zoom | 4X | |
| Iris | F1.6 | |
| Field of View (H) | 42.6°~15.2° | |
| Field of View (V) | 23.5°~8.9° | |
| Field of View (D) | 52.4°~17.9° | |
| Iris Type | P-iris | |
| DORI | | |
| DORI Distance (Detect) | 124.1m(407.3ft)~496.6m(1629.1ft) | |
| DORI Distance (Observe) | 49.7m(162.9ft)~198.6m(651.6ft) | |
| DORI Distance (Recognize) | 24.8m(81.5ft)~99.3m(325.8ft) | |
| DORI Distance (Identify) | 12.4m(40.7ft)~49.7m(162.9ft) | |
| Illuminator | | |

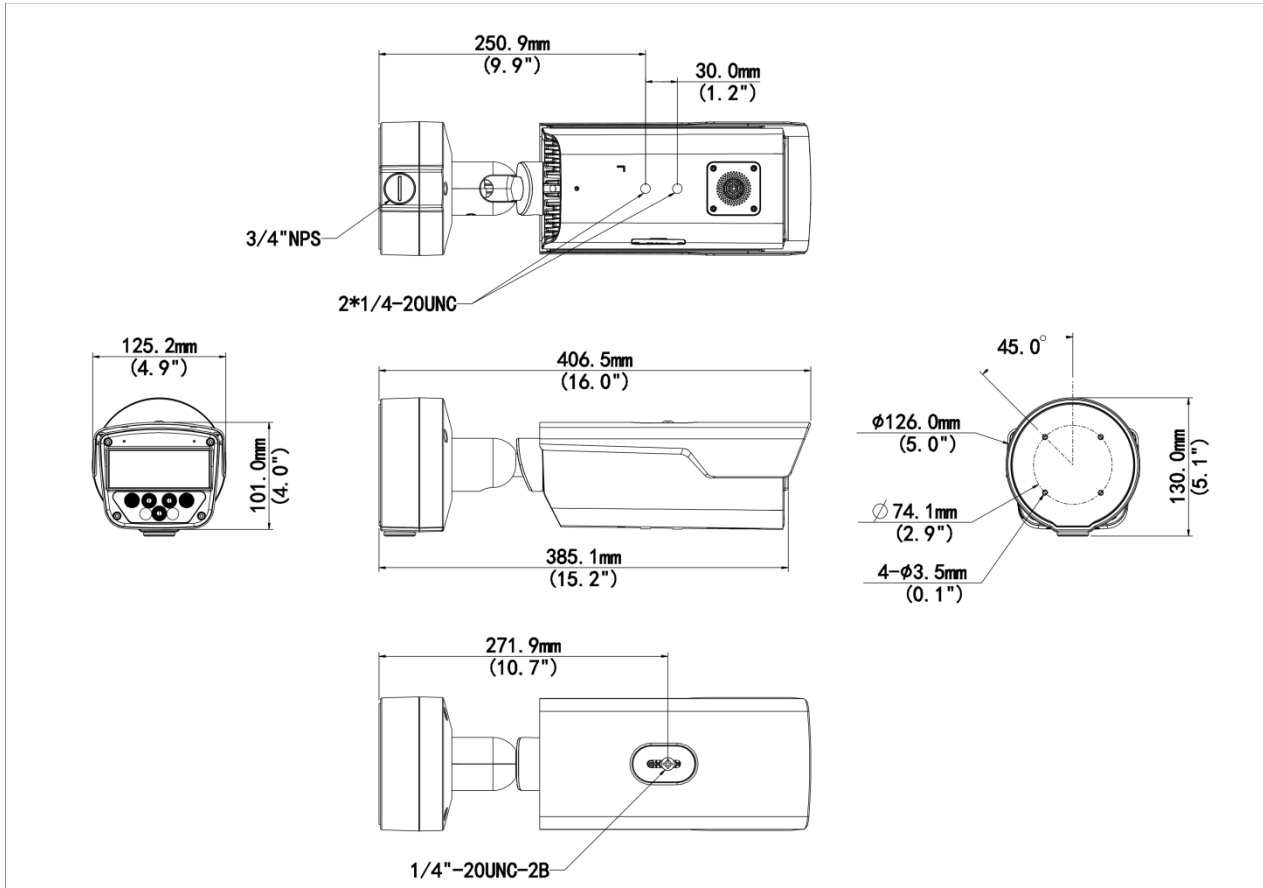
| | | |
|------------------------------------|--|-----------------|
| Illumination Distance (Warm Light) | | 40 m (131.2 ft) |
| Illumination Distance (IR) | 40 m (131.2 ft) | |
| Wavelength | 850 nm | |
| Video | | |
| Frame Rate-Main Stream | 4MP(2688*1520), Max 60fps | |
| Video Compression | Ultra 265, H.265, H.264, MJPEG | |
| Frame Rate-Sub Stream | 2MP(1920*1080), Max 60fps; | |
| Video Bit Rate | 128 Kbps to 16 Mbps | |
| U-code | Support | |
| Frame Rate-Third Stream | D1 (720*576), Max 60fps | |
| ROI | Up to 8 areas | |
| Frame Rate Recommendation | 2688*1520@60fps+1080P@60fps+D1@60fps | |
| Privacy Mask | Up to 8 areas (8 blacks / 8 mosaics) | |
| Video Stream | Triple Streams | |
| OSD | Up to 10 OSDs | |
| Image | | |
| White Balance | Auto,Outdoor,Fine Tune,Sodium Lamp,Locked,Auto2 | |
| Digital Noise Reduction | 2D/3D DNR | |
| Smart IR | Support | N/A |
| Flip | Normal,Flip Vertical,Flip Horizontal,180°,90°Clockwise,90°Anti-clockwise | |
| HLC | Support | |
| BLC | Support | |
| Defog | Digital Defog | |
| Intelligent | | |
| ANPR | Up to 4 car lanes can be set: Support pedestrian, motor vehicle and non motor vehicle image capturing; Support recognizing car license plate more accurately by choosing different country/ region; Support attribute collection: plate number, vehicle type, vehicle color, vehicle brand | |
| Supports Multiple Countries | North America: United States, CanadaEU: France, Spain, Portugal, Germany, UK, Ireland, Bulgaria, Latvia, Romania, Slovenia, Poland, Hungary, Serbia, Czech Republic, Slovakia, Bosnia and Herzegovina, Greece, Croatia, Ukraine Asia Pacific: South Korea, Indonesia, Malaysia, SingaporeMiddle East: Iraq, Saudi Arabia, United Arab Emirates | |

| | |
|------------------------|--|
| Capture Speed Range | ≤ 120 km/h |
| Events | |
| Basic Detection | Motion detection,Audio detection,Tampering alarm |
| General Function | Watermark,IP Address Filtering,Access Policy,ARP Protection,RTSP Authentication,User Authentication,HTTP authentication,Alarm input,Alarm output |
| Audio | |
| Audio Compression | G.711U,G.711A |
| Audio Bitrate | 128 Kbps |
| Two-way Audio | Support |
| Suppression | Support |
| Sampling Rate | 16KHZ |
| Storage | |
| Edge Storage | Micro SD, up to 512 GB |
| Network Storage | ANR,NAS(NFS) |
| Network | |
| Protocols | IGMP, RTP, SMTP, IPv4, IPv6, ICMP, ARP, TCP, UDP, DHCP, PPPoE, RTSP, RTCP, RTMP, DNS, DDNS, NTP, FTP, UPnP, HTTP, HTTPS, 802.1x, SNMP, QoS, SSL/TLS, SSH |
| Compatible Integration | ONVIF (Profile S, Profile G, Profile T, Profile M), API, SDK |
| User/Host | Up to 32 users. 3 user levels: administrator, common user and operator |
| Security | Password Protection, Strong Password, HTTPS Encryption, Export Operation Logs, Basic and Digest Authentication for RTSP, Digest Authentication for HTTP, TLS 1.2, WSSE and Digest Authentication for ONVIF, TLS1.3 |
| Client | EZStation, UNV-Link, UNV-Link Pro |
| Web Browser | Plug-in required live view: IE 10+, Chrome 45+, Firefox 52+, Edge 79+ |
| PTZ | |
| Home Position | Support |
| Number of Presets | 1024 |
| Interface | |
| Audio I/O | 2 Input: impedance 1 kΩ, amplitude 2.5 V [p-p], 1 Output: impedance 600 Ω, amplitude 2.5 V [p-p] |
| Alarm I/O | 3/2 |
| Serial Port | 1 channel RS485 interface |
| Built-in Mic | Support, built-in mic*2 |

| | | |
|----------------------|--|---------|
| Built-in Speaker | Support | |
| Network | 1 × RJ45 10 M/100 M/1000 M Base-TX Ethernet | |
| Certification | | |
| EMC | CE-EMC (EN 55032:2015+A11:2020+A1:2020,EN 61000-3-3:2013+A1:2019+A2:2021,EN IEC 61000-3-2: 2019+A1: 2021, EN 50130-4:2011+A1:2014) FCC (FCC CFR 47 part15 B, ANSI C63.4 2014) | |
| Safety | EN IEC 62368-1:2020+A11:2020 UL (UL 62368-1, 2nd Ed., Issue Date: 2014-12-01) | |
| Environment | CE-RoHS (2011/65/EU;(EU)2015/863); WEEE (2012/19/EU); Reach (Regulation (EC) No 1907/2006) | |
| Protection | IP67 (IEC 60529:1989+AMD1:1999+AMD2:2013) IK10 (IEC 62262:2002) | |
| General | | |
| Power | DC12V(±25%) , PoE+ (IEEE 802.3at) | |
| Power Consumption | Max 19W | Max 21W |
| Power Interface | Ø5.5 mm coaxial power plug | |
| Dimensions | 406 x 125 x 130mm(16.0" x 4.9" x 5.1") | |
| Weight | 1.86Kg(4.10lb) | |
| Working Environment | -40°C ~ 70°C (-40°F ~ 158°F), Humidity: ≤95% RH (non-condensing) | |
| Storage Environment | -40°C ~ 70°C (-40°F ~ 158°F), Humidity: ≤95% RH (non-condensing) | |
| Surge Protection | 6 KV | |
| Reset Button | Support | |
| Heater | Support | |
| RTC | Support | |
| Material | Sun shield: Plastic Front cover: Metal Body: Metal | |
| Live View | | |
| Maximum Bitstream | 35 | |
| Maximum Bandwidth | 50 Mbps | |
| OSD Font | Vector | |
| OSD Color | Support | |
| OSD Character Number | 40 | |
| Other | | |

Dimensions

Aggregate product size diagram using "main model" as an example



Accessories

TR-UP06-C-IN

Pole Mounting Bracket for Bullet Junction Box Only



Zhejiang Uniview Technologies Co., Ltd.

No. 369, Xietong Road, Xixing Sub-district, Binjiang District, Hangzhou City, 310051, Zhejiang Province, China (Zhejiang) Pilot Free Trade Zone,

China

Email: overseasbusiness@uniview.com; globalsupport@uniview.com

<http://www.uniview.com>

©2024-2025 Zhejiang Uniview Technologies Co., Ltd. All rights reserved.

*Product specifications and availability are subject to change without notice.

*Despite our best efforts, technical or typographical errors may exist in this document. Uniview cannot be held responsible for any such errors and reserves the right to change the contents of this document without prior notice.