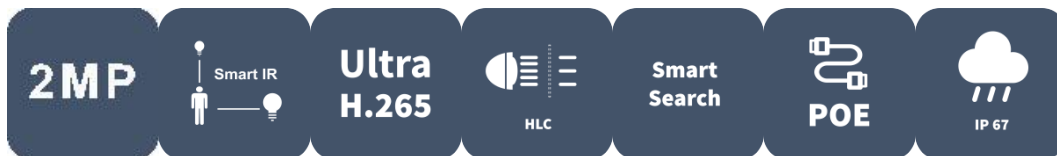


2MP Mini Fixed Bullet Network Camera

IPC2122LB-SF28(40)-A



Features

- High quality image with 2MP, 1/2.8"CMOS sensor
- 2MP (1920*1080)@ 30/25fps; 720P (1280*720)@ 30/25fps
- Ultra 265, H.265, H.264
- Smart IR, up to 30m (98ft) IR distance
- Day/night functionality
- 2D/3D DNR (Digital Noise Reduction)
- IP67 protection
- Support PoE power supply
- 3-Axis

Specifications

| Camera | Description |
|----------------|-------------|
| Max Resolution | 2MP |
| Sensor | 1/2.8" CMOS |

| | |
|---------------------------|--|
| Min. Illumination | Colour: 0.01 lux (F2.0, AGC ON) 0 lux with IR on |
| Day/Night | IR-cut filter with auto switch (ICR) |
| Shutter | Auto/Manual, 1 ~ 1/100000s |
| Adjustment Angle | Pan: 0° ~ 360°, Tilt: 0° ~ 90°, Rotate: 0° ~ 360° |
| S/N | >52dB |
| WDR | DWDR |
| Lens | Description |
| Focal Length | IPC2122LB-SF28-A:2.8 mm IPC2122LB-SF40-A:4.0 mm |
| Iris Type | Fixed |
| Iris | F2.0 |
| Field of View (H) | IPC2122LB-SF28-A:106.7° IPC2122LB-SF40-A:87.5° |
| Field of View (V) | IPC2122LB-SF28-A:57.1° IPC2122LB-SF40-A:46.3° |
| Field of View (D) | IPC2122LB-SF28-A:115.7° IPC2122LB-SF40-A:92.4° |
| DORI | Description |
| DORI Distance(Lens) | IPC2122LB-SF28-A:2.8mm IPC2122LB-SF40-A:4.0mm |
| DORI Distance(Detect) | IPC2122LB-SF28-A:43.4m(142.4ft) IPC2122LB-SF40-A:62.1m(203.7ft) |
| DORI Distance(Observe) | IPC2122LB-SF28-A:17.4m(57.1ft) IPC2122LB-SF40-A:24.8m(81.4ft) |
| DORI Distance(Recognize) | IPC2122LB-SF28-A:8.7m(28.5ft) IPC2122LB-SF40-A:12.4m(40.7ft) |
| DORI Distance(Identify) | IPC2122LB-SF28-A:4.3m(14.1ft) IPC2122LB-SF40-A:6.2m(20.3ft) |
| Illuminator | Description |
| Supplemental Light | IR |
| Illumination Distance(IR) | 30 m (98.4 ft) |

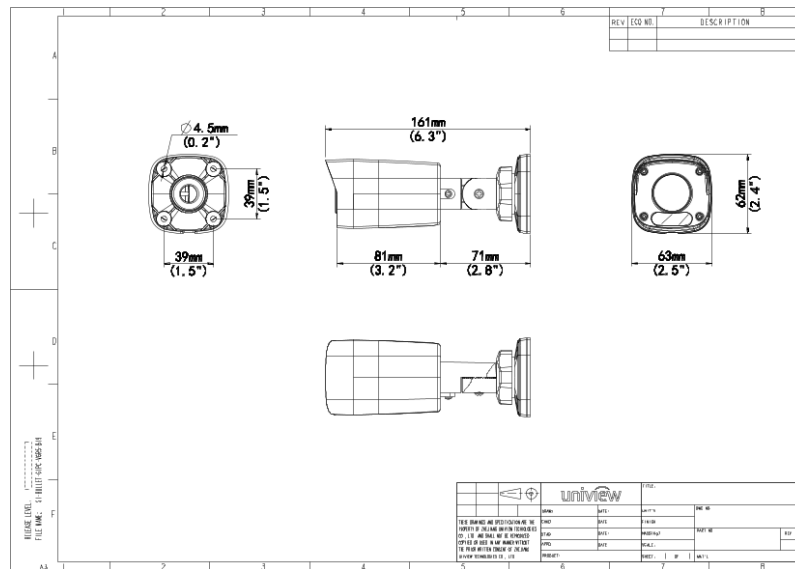
| | |
|-------------------------|---|
| Wavelength | 850 nm |
| IR On/Off Control | Auto/Manual |
| Video | Description |
| Video Compression | Ultra 265; H.265; H.264 |
| H.264 Code Profile | Baseline profile, Main profile, High profile |
| Frame Rate | Main Stream: 1080P (1920*1080), Max 30fps; 720P (1280*720), Max 30fps; Sub Stream: D1 (720*576), Max 30fps; 640*360,Max 30fps; 2CIF(704*288), Max 30fps; CIF(352*288), Max 30fps; |
| Video Bit Rate | 128 Kbps ~ 6144 Kbps |
| U-code | Support (Main stream) |
| OSD | Up to 4 OSDs |
| Privacy Mask | Up to 4 areas |
| ROI | Up to 8 areas |
| Video Stream | Dual Streams |
| Image | Description |
| White Balance | Auto; Outdoor; Fine Tune; Sodium Lamp; Locked; Auto2 |
| Digital Noise Reduction | 2D/3D DNR |
| Smart IR | Support |
| Flip | Normal; Flip Vertical; Flip Horizontal; 180° |
| Dewarping | N/A |
| HLC | Support |
| BLC | Support |
| Defog | Digital Defog |
| Events | Description |
| Basic Detection | Motion Detection |
| General Function | Watermark; IP Address Filtering; Access Policy; ARP Protection; RTSP Authentication; User Authentication; HTTP Authentication |
| Network | Description |
| Protocols | IPv4; IGMP; ICMP; ARP; TCP; UDP; DHCP; RTP; RTSP; RTCP; RTMP; DNS; DDNS; NTP; UPnP; HTTP |
| Compatible Integration | ONVIF (Profile S, Profile T) ; API; SDK |
| User/Host | Up to 32 users, 2 user levels: administrator and common user |

| | |
|----------------------|---|
| Security | Password Protection; Strong Password; HTTPS Encryption; Export Operation Logs; Basic and Digest Authentication for RTSP; Digest Authentication for HTTP; WSSE and Digest Authentication for ONVIF |
| Client | EZStation; EZView; EZLive |
| Web Browser | Plug-in free live view: Chrome 57.0 and above, Firefox 58.0 and above, Edge 16 and above |
| Interface | Description |
| Audio I/O | N/A |
| Alarm I/O | N/A |
| Serial Port | N/A |
| Built-in Mic | N/A |
| Built-in Speaker | N/A |
| WIFI | N/A |
| Network | 1 x RJ45 10M/100M Base-TX Ethernet |
| Video Output | N/A |
| Certification | Description |
| EMC | CE-EMC (EN 55032, EN 61000-3-3, EN IEC 61000-3-2, EN 55035) FCC (FCC 47 CFR part15 B) |
| Safety | CE LVD (EN 62368-1) CB (IEC 62368-1) UL/CUL (UL 62368-1, CAN/CSA C22.2 No. 62368-1) |
| Environment | CE-RoHS (2011/65/EU;(EU)2015/863); WEEE (2012/19/EU); |
| Protection | IP67 (IEC 60529) |
| General | Description |
| Power | DC 12V ±25%, PoE (IEEE 802.3af) Power consumption: Max 5.5W |
| Power Interface | Ø 5.5mm coaxial power plug |
| Dimensions | 161 × 63 × 62mm (6.4" × 2.5" × 2.4") |
| Weight | 0.27kg (0.60lb) |
| Material | Graphene + Plastic |
| Working Environment | -30 °C ~ 60 °C (-22 °F ~ 140 °F), Humidity: ≤95% RH (non-condensing) |
| Storage Environment | -30 °C ~ 60 °C (-22 °F ~ 140 °F), Humidity: ≤95% RH (non-condensing) |
| Surge Protection | 4KV |
| Reset Button | N/A |

Web Client Language

 1 Language
 English

Dimensions



Accessories

TR-JB05-A-IN

Small Bullet Junction Box(Support wiring from behind,Square)


TR-UP06-B-IN

Bullet Pole Mounting Bracket


TR-UP06-C-IN

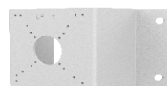
Pole Mounting Bracket for Bullet Junction Box Only


TR-A01-IN

NPT 3/4" Waterproof Cable Gland


TR-UC08-C

Bullet&Dome Corner Mounting Bracket


Zhejiang Uniview Technologies Co., Ltd.

No. 369, Xietong Road, Xixing Sub-district, Binjiang District, Hangzhou City, 310051, Zhejiang Province, China (Zhejiang) Pilot Free Trade Zone, China

Email: overseasbusiness@uniview.com; globalsupport@uniview.com

<http://www.uniview.com>

©2023-2024 Zhejiang Uniview Technologies Co., Ltd. All rights reserved.

*Product specifications and availability are subject to change without notice.

*Despite our best efforts, technical or typographical errors may exist in this document. Uniview cannot be held responsible for any such errors and reserves the right to change the contents of this document without prior notice.