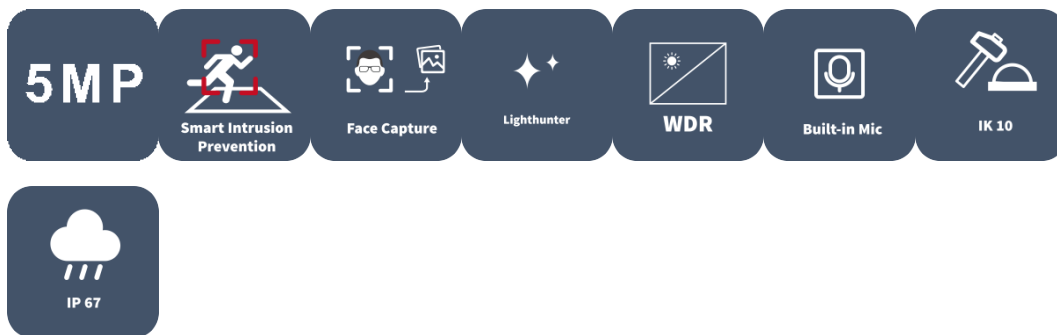


# 5MP HD Intelligent LightHunter IR VF Bullet Network Camera

IPC2B25SS-ADZK-I1



## Features

- High quality image with 5MP, 1/2.7"CMOS sensor
- 5MP (2880\*1620)@ 30/25fps; 4MP (2560\*1440)@ 30/25fps; 3MP (2304\*1296) @30/25fps; 2MP (1920\*1080) @30/25fps
- Ultra 265, H.265, H.264, MJPEG
- Smart intrusion prevention, include cross line, intrusion, enter area, leave area detection
- Based on target classification, smart intrusion prevention significantly reduce false alarm caused by leaves, birds and lights etc., accurately focus on human and, motor vehicle and non-motor vehicle
- Intelligent People Flow Counting and Crowd Density Monitoring
- Smart intrusion prevention with Color retrieval
- Auto Scene Match (ASM) (Only WDR)
- LightHunter technology ensures ultra-high image quality in low illumination environment

- 130dB true WDR technology enables clear image in strong light scene
- Support 9:16 Corridor Mode
- Alarm:1 in/1 out, Audio: 1 in/1 out, Built-in Mic
- Smart IR, up to 60m (196ft) IR distance
- Supports 512 G Micro SD card
- IK10 vandal resistant and IP67 protection

## Specifications

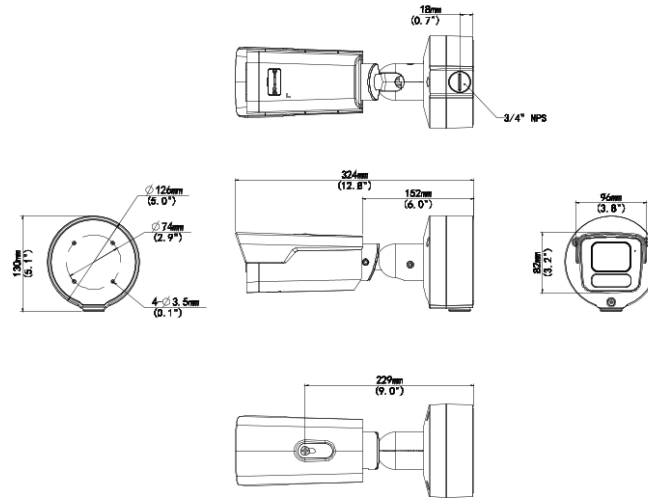
Camera	Description
Max Resolution	5 MP
Sensor	1/2.7" CMOS
Min. Illumination	Colour: 0.002 lux (F1.2, AGC ON) 0 lux with IR on
Day/Night	IR-cut filter with auto switch (ICR)
Shutter	Auto/Manual, 1 ~ 1/100000s
Adjustment Angle	Pan: 0° ~ 360°, Tilt: 0° ~ 90°, Rotate: 0° ~ 360°
S/N	>56dB
WDR	130dB
Lens	Description
Focal Length	2.7 ~ 13.5 mm
Iris Type	Fixed
Iris	F1.2
Field of View (H)	106.3°~ 32.5°
Field of View (V)	53.5°~ 18.0°
Field of View (D)	126.0°~ 38.5°
Lens Type	Motorized
DORI	Description
DORI Distance (Lens)	2.7mm, 13.5mm
DORI Distance (Detect)	60.8m(199ft), 303.8m(996.7ft)
DORI Distance (Observe)	24.3m(79.7ft), 121.5m(398.6ft)
DORI Distance (Recognize)	12.2m(40ft), 60.8m(199.5ft)

DORI Distance (Identify)	6.1m(20ft), 30.4m(99.7ft)
<b>Illuminator</b>	Description
Supplemental Light	IR
Illumination Distance (IR)	60 m (196.9 ft)
IR On/Off Control	Auto/Manual
Wavelength	850 nm
<b>Video</b>	Description
Video Compression	Ultra 265, H.265, H.264, MJPEG
H.264 Code Profile	Baseline profile, Main profile, High profile
Frame Rate	Main Stream:5MP (2880*1620), Max 30fps; 4MP (2560*1440), Max 30fps; 3MP (2304*1296), Max 30fps; 1080P (1920*1080), Max 30fps; Sub Stream: 1080P (1920*1080), Max 30fps; 720P (1280*720), Max 30fps; D1 (720*576), Max 30fps; 640*360,Max 30fps; 2CIF(704*288), Max 30fps; CIF(352*288), Max 30fps; Third Stream: D1 (720*576), Max 30fps; 640*360,Max 30fps; 2CIF(704*288), Max 30fps; CIF(352*288), Max 30fps
Video Bit Rate	128 Kbps ~ 16 Mbps
U-code	Support
OSD	Up to 8 OSDs
Privacy Mask	Up to 4 areas
ROI	Support
Video Stream	Triple Streams
<b>Image</b>	Description
Auto Scene Match (ASM)	Support (Only WDR)
White Balance	Auto, Outdoor, Fine Tune, Sodium Lamp, Locked, Auto2
Digital Noise Reduction	2D/3D DNR
Smart IR	Support
Flip	Normal, Flip Vertical, Flip Horizontal, 180°, 90° Clockwise, 90° Anti-clockwise
Dewarping	N/A
HLC	Support
BLC	Support
Defog	Digital Defog
<b>Intelligent</b>	Description

Smart Intrusion Prevention	Cross line detection, Intrusion detection, Enter area detection, Leave area detection (support false alarm filtering and the classification of human, non-motor vehicle and vehicle)
Statistical Analysis	N/A
People Counting	Support People Flow Counting and Crowd Density Monitoring
Attribute Collection	SIP with color retrieval
<b>Events</b>	Description
Basic Detection	Motion Detection, Ultra Motion Detection, Tampering Alarm, Audio Detection
General Function	Watermark, IP Address Filtering, Access Policy, ARP Protection, RTSP Authentication, User Authentication, HTTP Authentication, Alarm Input, Alarm Output
<b>Audio</b>	Description
Audio Compression	G.711U, G.711A
Audio Bitrate	64 Kbps
Two-way Audio	Support
Suppression	Support
Sampling Rate	8 KHz
<b>Storage</b>	Description
Edge Storage	Micro SD, up to 512 GB
Network Storage	ANR, NAS (NFS)
<b>Network</b>	Description
Protocols	IPv4, IPv6, IGMP, ICMP, ARP, TCP, UDP, DHCP, PPPoE, RTP, RTSP, RTCP, RTMP, DNS, DDNS, NTP, FTP, UPnP, HTTP, HTTPS, SMTP, 802.1x, SNMP, QoS, SSL/TLS, SSH
Compatible Integration	ONVIF (Profile S, Profile G, Profile T), API, SDK
User/Host	Up to 32 users. 3 user levels: administrator, common user and operator
Security	Password Protection, Strong Password, HTTPS Encryption, Export Operation Logs, Basic and Digest Authentication for RTSP, Digest Authentication for HTTP, TLS 1.2, WSSE and Digest Authentication for ONVIF
Client	UNV-Link, UNV-Link Pro, EZStation
Web Browser	Plug-in required live view: IE 10 and above, Chrome 45 and above, Firefox 52 and above, Edge 79 and above, Plug-in free live view: Chrome 57.0 and above, Firefox 58.0 and above, Edge 16 and above
<b>Interface</b>	Description
Audio I/O	1 Input: impedance 35 k $\Omega$ , amplitude 2 V [p-p], 1 Output: impedance 600 $\Omega$ , amplitude 2 V [p-p]

Alarm I/O	1/1
Serial Port	N/A
Built-in Mic	Support
Built-in Speaker	N/A
WIFI	N/A
Network	1 x RJ45 10M/100M Base-TX Ethernet
Video Output	N/A
<b>Certification</b>	<b>Description</b>
EMC	CE-EMC (EN 55032, EN 61000-3-3, EN IEC 61000-3-2, EN 50130) FCC (FCC 47 CFR part15 B)
Safety	CE-LVD (EN 62368-1) CB (IEC 62368-1) UL/CUL (UL 62368-1, CAN/CSA C22.2 No. 62368-1)
Environment	CE-RoHS (2011/65/EU;(EU)2015/863); WEEE (2012/19/EU)
Protection	IP67 (IEC 60529) IK10 (IEC 62262)
<b>General</b>	<b>Description</b>
Power	DC 12V ±25%, PoE (IEEE 802.3af)
Power Consumption	Max 9.5W
Power Interface	Ø 5.5 mm coaxial power plug
Dimensions	324 × 126 × 130mm (12.8" × 5.0" × 5.1" ) (L x W x H)
Weight	1.48kg (3.26lb)
Material	Metal + Plastic
Working Environment	-30 °C ~ 60 °C (-22 °F ~ 140 °F), Humidity: ≤95% RH (non-condensing)
Storage Environment	-30 °C ~ 60 °C (-22 °F ~ 140 °F), Humidity: ≤95% RH (non-condensing)
Surge Protection	6 KV
Reset Button	Support
Web Client Language	20 Languages Traditional Chinese, English, Simplified Chinese, Polish, German, Russian, French, Korean, Dutch, Czech, Portuguese (Europe), Portuguese (Brazil), Japanese, Thai, Turkish, Spanish (Latin America), Spanish (Europe), Hungarian, Italian, Vietnamese

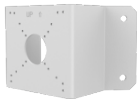
## Dimensions



## Accessories

TR-UC08-C

Bullet&Dome Corner Mounting Bracket



TR-UP06-C-IN

Pole Mounting Bracket for Bullet Junction Box Only



### Zhejiang Uniview Technologies Co., Ltd.

No. 369, Xietong Road, Xixing Sub-district, Binjiang District, Hangzhou City, 310051, Zhejiang Province, China (Zhejiang) Pilot Free Trade Zone, China

Email: [overseasbusiness@uniview.com](mailto:overseasbusiness@uniview.com); [globalsupport@uniview.com](mailto:globalsupport@uniview.com)

<http://www.uniview.com>

©2023-2024 Zhejiang Uniview Technologies Co., Ltd. All rights reserved.

\*Product specifications and availability are subject to change without notice.

\*Despite our best efforts, technical or typographical errors may exist in this document. Uniview cannot be held responsible for any such errors and reserves the right to change the contents of this document without prior notice.