

2MP LightHunter Active Deterrence Mini PTZ Camera

IPC6312LFW-AX5C-VG1



Features

- High quality image with 2MP, 1/2.8" CMOS sensor
- Ultra 265, H.265, H.264, MJPEG
- Smart intrusion prevention, support false alarm filtering, include Cross Line, Intrusion, Enter Area, Leave Area detection
- LightHunter technology ensures ultra-high image quality in low illumination environment
- Up to 120 dB WDR (Wide Dynamic Range)
- Built-in Mic & Speaker
- Smart IR, Up to 50 m (164 ft) IR distance and 15m (49 ft) warm light distance
- Micro SD, up to 512GB
- IP66 protection
- DC12V or PoE (IEEE 802.3at) power supply

Specifications

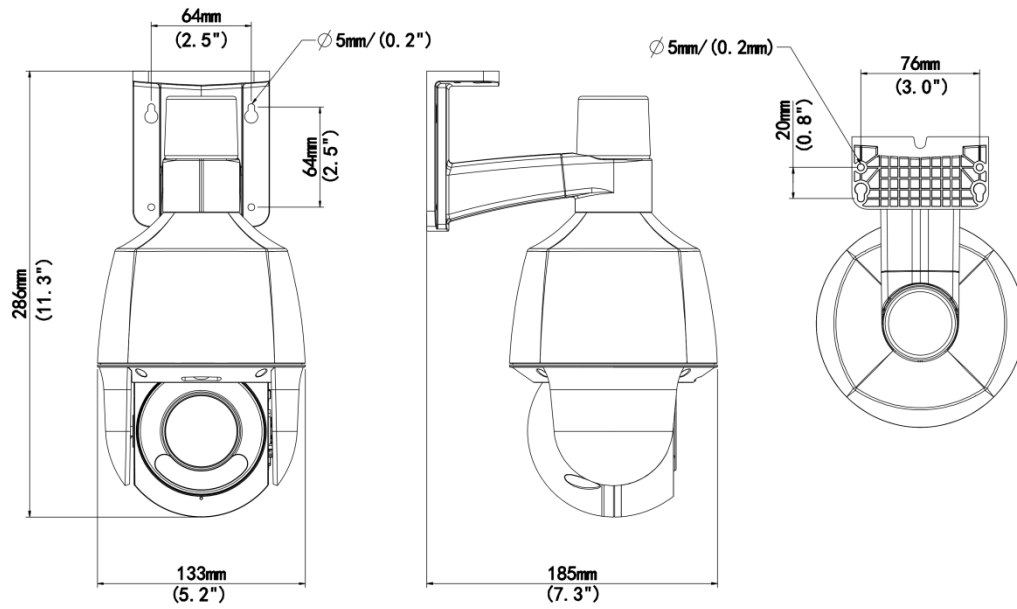
Model	IPC6312LFW-AX5C-VG1
Camera	
Max Resolution	2 MP
Sensor	1/2.8" CMOS
Min. Illumination	Colour: 0.002Lux (F1.6, AGC ON) 0Lux with IR on
Day/Night	IR-cut filter with auto switch (ICR)
Shutter	Auto/Manual, 1 to 1/100000 s
WDR	120 dB
S/N	>52 dB
Lens	
Focal Length	2.7 to 13.5 mm
Optical Zoom	5X
Iris	F1.6
Field of View (H)	106.6°~31.5°
Field of View (V)	56.5°~16.9°
Field of View (D)	138.6°~38.7°
DORI	
DORI Distance (Detect)	49.7 m ~ 158.3 m (162.9 ft ~ 519.3 ft)
DORI Distance (Observe)	19.9 m ~ 63.3 m (65.2 ft ~ 207.7 ft)
DORI Distance (Recognize)	9.9 m ~ 31.7 m (32.6 ft ~ 103.9 ft)
DORI Distance (Identify)	5 m ~ 15.8 m (16.3 ft ~ 51.9 ft)
Illuminator	
Illumination Distance (Warm Light)	15 m (49.3 ft)
Illumination Distance (IR)	50 m (164.0 ft)
Wavelength	850 nm
Light On/Off Control	Auto/Manual
Video	
Privacy Mask	Up to 4 areas

Video Compression	Ultra 265, H.265, H.264, MJPEG
Frame Rate	Main Stream: 2MP (1920*1080), Max 30fps Sub Stream: 720P (1280*720), Max 30fps
Video Bit Rate	128 Kbps to 16 Mbps
U-code	Support
ROI	Support
Video Stream	Dual Streams
OSD	Up to 4 OSDs
Image	
Defog	Digital Defog
White Balance	Auto, Outdoor, Fine Tune, Sodium Lamp, Locked, Auto2
Digital Noise Reduction	2D/3D DNR
Flip	Normal, Flip Vertical, Flip Horizontal, 180°
HLC	Support
BLC	Support
Smart IR	Support
Intelligent	
Auto Tracking	Support, target filtering: human only
Smart Intrusion Prevention	Cross line detection, intrusion detection (support false alarm filtering and the classification of human and vehicle)
Events	
Basic Detection	Motion Detection, Tampering Alarm, Audio Detection
General Function	Watermark, IP Address Filtering, Access Policy, ARP Protection, RTSP Authentication, User Authentication
Audio	
Audio Compression	G.711U, G.711A
Audio Bitrate	128 Kbps
Two-way Audio	Support
Suppression	Support
Sampling Rate	16KHZ
Storage	
Edge Storage	Micro SD, up to 512 GB

Network Storage	ANR, NAS (NFS)
PTZ	
Pan Range	0° ~ 345°
Pan Speed	1°/s~40°/s
Tilt Range	-10° ~ 100°
Tilt Speed	1°/s~30°/s
Number of Presets	1024
Preset Patrol	16 patrols, up to 64 presets for each patrol
Patrol Stay Time	120 s to 1800 s
Home Position	Support
Network	
Protocols	TLS1.3, SSH, IGMP, RTP, RTCP, SMTP, IPv4, IPv6, ICMP, ARP, TCP, UDP, DHCP, PPPoE, RTSP, RTMP, DNS, DDNS, NTP, FTP, UPnP, HTTP, HTTPS, 802.1x, SNMP, QoS, SSL/TLS
Compatible Integration	ONVIF (Profile S, Profile G, Profile T, Profile M), SDK, API
Security	Password Protection, Strong Password, HTTPS Encryption, Export Operation Logs, Basic and Digest Authentication for RTSP, Digest Authentication for HTTP, TLS 1.2, WSSE and Digest Authentication for ONVIF
Client	EZStation, UNV-Link, UNV-Link Pro
Web Browser	Plug-in required live view: IE 10 and above, Chrome 45 and above, Firefox 52 and above, Edge 79 and above
Interface	
Audio I/O	1 Input: impedance 1 kΩ, amplitude 2.5 V [p-p], 1 Output: impedance 600 Ω, amplitude 2.5 V [p-p]
Alarm I/O	1/1
Built-in Mic	Support
Built-in Speaker	Support
Network	1 × RJ45 10 M/100 M Base-TX Ethernet
Certification	
EMC	CE-EMC (EN 55032: 2015+A11: 2020+A1: 2020, EN 50130-4: 2011+A1: 2014, EN 61000-3-3: 2013+A1: 2019+A2: 2021, EN IEC 61000-3-2: 2019+A1: 2021)

Safety	CE LVD (EN 62368-1: 2020+A11: 2020) UL (UL 62368-1, 2nd Ed., Issue Date: 2014-12-01)
Environment	CE-ROHS (2011/65/EU;(EU)2015/863)
Protection	IP66 (IEC 60529:1989+AMD1:1999+AMD2:2013)
General	
Power	DC12V(±25%), PoE(IEEE 802.3at)
Power Consumption	18W
Power Interface	Ø5.5 mm coaxial power plug
Dimensions	133 x 185 x 286 mm (Ø 5.2" x 7.3" x 11.3") (L x W x H)
Weight	788g
Working Environment	-30 °C to 60 °C (-22 °F to 140 °F), Humidity: ≤ 95% RH (non-condensing)
Storage Environment	-40 °C to 70 °C (-40 °F to 158 °F), Humidity: ≤ 95% RH (non-condensing)
Surge Protection	2 KV
Reset Button	Support
Web Client Language	22 Languages: Traditional Chinese, English, Simplified Chinese, Polish, German, Russian, French, Korean, Dutch, Czech, Portuguese (Europe), Portuguese (Brazil), Japanese, Thai, Turkish, Spanish (Latin America), Spanish (Europe), Hungarian, Italian, Vietnamese, Arabic, Slovak

Dimensions



Accessories

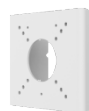
TR-JB07-D-IN

Bullet Junction Box(Support wiring from behind)



TR-UP06-B-IN

Bullet Pole Mounting Bracket



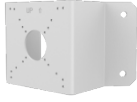
TR-CM06-D

Alarm Ball Machine Hoisting Bracket



TR-UC08-C

Bullet&Dome Corner Mounting Bracket



TR-A01-IN

NPT 3/4" Waterproof Cable Gland



TR-UP06-C-IN

Pole Mounting Bracket for Bullet Junction Box Only



Zhejiang Uniview Technologies Co., Ltd.

No. 369, Xietong Road, Xixing Sub-district, Binjiang District, Hangzhou City, 310051, Zhejiang Province, China (Zhejiang) Pilot Free Trade Zone, China

Email: overseasbusiness@uniview.com; globalsupport@uniview.com

<http://www.uniview.com>

©2024-2025 Zhejiang Uniview Technologies Co., Ltd. All rights reserved.

*Product specifications and availability are subject to change without notice.

*Despite our best efforts, technical or typographical errors may exist in this document. Uniview cannot be held responsible for any such errors and reserves the right to change the contents of this document without prior notice.