

# 4MP ColorHunter with Wise-ISP Fixed Bullet Network Camera

IPC2314LE-ADF28(40)KM-WP



## Features

- High quality image with 4MP, 1/1.8"CMOS sensor and F1.0 large aperture lens
- 4MP (2688\*1520)@ 25/20fps; 4MP (2560\*1440)@ 25/20fps; 3MP (2304\*1296) @30/25fps; 2MP (1920\*1080) @30/25fps;
- Ultra 265, H.265, H.264, MJPEG
- Support ColorHunter with Wise-ISP technology, deeply optimizing color, detail, and smear effects in extremely low-light scenes
- 120dB true WDR technology enables clear image in strong light scene
- Support 9:16 Corridor Mode
- Built-in Mic
- White Light, up to 30m warm light distance
- Supports 512 GB Micro SD card
- IP67 protection
- Support PoE power supply
- 3-Axis

## Specifications

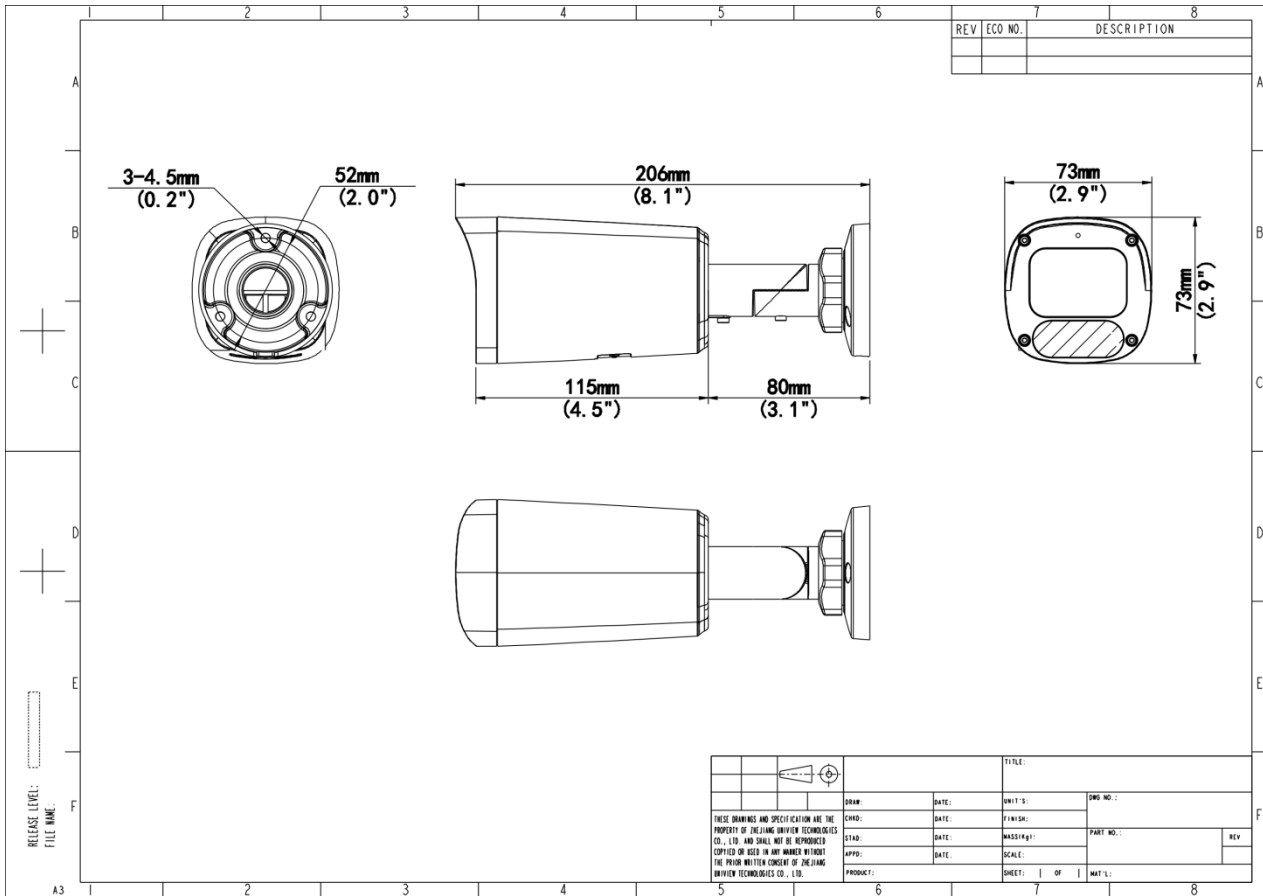
Model	IPC2314LE-ADF28KM-WP	IPC2314LE-ADF40KM-WP
<b>Camera</b>		
Max Resolution	4 MP	
Sensor	1/1.8" CMOS	
Min. Illumination	Colour: 0.0003 lux (F1.0, AGC ON)	
Shutter	Auto/Manual, 1 ~ 1/100000s	
Adjustment Angle	Pan: 0° ~ 360°, Tilt: 0° ~ 90°, Rotate: 0° ~ 360°	
S/N	>52 dB	
WDR	120 dB	
<b>Lens</b>		
Focal Length	2.8 mm	4.0 mm
Iris Type	Fixed	
Iris	F1.0	
Field of View (H)	110.4°	88.2°
Field of View (V)	60.5°	47.6°
Field of View (D)	115.2°	104.0°
<b>DORI</b>		
DORI Distance (Lens)	2.8mm	4.0mm
DORI Distance (Detect)	43.4m(142.5ft)	62.1(203.6ft)
DORI Distance (Observe)	17.4(57.0ft)	24.8(81.5ft)
DORI Distance (Recognize)	8.7(28.5ft)	12.4(40.7ft)
DORI Distance (Identify)	4.3(14.3ft)	6.2(20.4ft)
<b>Illuminator</b>		
Supplemental Light	Warm light	

<b>Illumination</b> Distance (Warm Light)	30 m (98.4 ft)	
<b>Light On/Off Control</b>	Auto/Manual	
<b>Video</b>		
<b>Video Compression</b>	Ultra 265, H.265, H.264, MJPEG	
<b>H.264 Code Profile</b>	Baseline profile, Main profile, High profile	
<b>Frame Rate</b>	Main Stream: 4MP (2688*1520), Max 25fps; 4MP (2560*1440), Max 25fps; 3MP (2304*1296), Max 30fps; 1080P (1920*1080), Max 30fps; Sub Stream: 720P (1280*720), Max 30fps; D1 (720*576), Max 30fps; 640*360, Max 30fps;	
<b>Video Bit Rate</b>	128 Kbps to 6144 Kbps	
<b>U-code</b>	Support	
<b>OSD</b>	Up to 4 OSDs	
<b>Privacy Mask</b>	Up to 4 areas	
<b>ROI</b>	Up to 8 areas	Support
<b>Video Stream</b>	Dual Streams	
<b>Image</b>		
<b>White Balance</b>	Auto, Outdoor, Fine Tune, Sodium Lamp, Locked, Auto2	
<b>Digital Noise Reduction</b>	2D/3D DNR	
<b>Smart Illumination</b>	Support	
<b>Flip</b>	Normal, Flip Vertical, Flip Horizontal, 180°, 90° Clockwise, 90° Anti-clockwise	
<b>Dewarping</b>	N/A	
<b>HLC</b>	Support	
<b>BLC</b>	Support	
<b>Defog</b>	Digital Defog	
<b>Events</b>		
<b>Basic Detection</b>	Motion Detection, Ultra Motion Detection, Tampering Alarm, Audio Detection	
<b>General Function</b>	Watermark, IP Address Filtering, Access Policy, ARP Protection, RTSP Authentication, User Authentication, HTTP Authentication	
<b>Intelligent</b>		

Smart Intrusion Prevention (Lite)	Intrusion, Crossline Detection (Both detection are based on human body and vehicle detection)
<b>Audio</b>	
Audio Compression	G.711U, G.711A
Audio Bitrate	64 Kbps
Two-way Audio	N/A
Suppression	Support
Sampling Rate	8 kHz
<b>Storage</b>	
Edge Storage	Micro SD, up to 512 GB
Network Storage	ANR, NAS (NFS)
<b>Network</b>	
Protocols	IPv4, IPv6, IGMP, ICMP, ARP, TCP, UDP, DHCP, PPPoE, RTP, RTSP, RTCP, DNS, DDNS, NTP, FTP, UPnP, HTTP, HTTPS, SMTP, 802.1x, SNMP, QoS, RTMP, SSL/TLS
Compatible Integration	ONVIF (Profile S, Profile G, Profile T), API, SDK
User/Host	Up to 32 users, 2 user levels: administrator and common user
Security	Password Protection, Strong Password, HTTPS Encryption, Export Operation Logs, Basic and Digest Authentication for RTSP, Digest Authentication for HTTP, TLS 1.2, WSSE and Digest Authentication for ONVIF
Client	UNV-Link, UNV-Link Pro, EZStation
Web Browser	Plug-in required live view: IE 10+, Chrome 45+, Firefox 52+, Edge 79+, Plug-in free live view: Chrome 57+, Firefox 58+, Edge 16+
<b>Interface</b>	
Audio I/O	N/A
Alarm I/O	N/A
Serial Port	N/A
Built-in Mic	Support
Built-in Speaker	N/A
WIFI	N/A
Network	1 × RJ45 10 M/100 M Base-TX Ethernet
Video Output	N/A
<b>Certification</b>	

EMC	CE-EMC (EN 55032, EN 61000-3-3, EN IEC 61000-3-2, EN 55035) FCC (FCC 47 CFR part15 B)
Safety	CE LVD (EN 62368-1) UL/CUL (UL 62368-1, CAN/CSA C22.2 No. 62368-1)
Environment	CE-RoHS (2011/65/EU;(EU)2015/863); WEEE (2012/19/EU);
Protection	IP67 (IEC 60529)
<b>General</b>	
Power	DC 12V±25%, PoE (IEEE 802.3af)
Power Consumption	Max 2.6W
Power Interface	Ø5.5 mm coaxial power plug
Dimensions	206 × 73 × 73mm (8.1" × 2.9" × 2.9") (L x W x H)
Weight	0.48kg(1.06lb)
Material	Metal
Working Environment	-30 °C to 60 °C (-22 °F to 140 °F), Humidity: ≤ 95% RH (non-condensing)
Storage Environment	-30 °C to 60 °C (-22 °F to 140 °F), Humidity: ≤ 95% RH (non-condensing)
Surge Protection	4 KV
Reset Button	Support
Web Client Language	13 Languages English, Simplified Chinese, Polish, German, Russian, French, Korean, Dutch, Czech, Portuguese, Spanish, Spanish (Europe), Italian

## Dimensions



## Accessories

TR-JB05-B-IN

Small Bullet Junction Box(Elegant White)



TR-UP06-C-IN

Pole Mounting Bracket for Bullet Junction Box Only



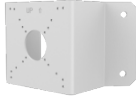
TR-A01-IN

NPT 3/4" Waterproof Cable Gland



TR-UC08-C

Bullet&Dome Corner Mounting Bracket



**Zhejiang Uniview Technologies Co., Ltd.**

No. 369, Xietong Road, Xixing Sub-district, Binjiang District, Hangzhou City, 310051, Zhejiang Province, China (Zhejiang) Pilot Free Trade Zone, China

Email: [overseasbusiness@uniview.com](mailto:overseasbusiness@uniview.com); [globalsupport@uniview.com](mailto:globalsupport@uniview.com)

<http://www.uniview.com>

©2024 Zhejiang Uniview Technologies Co., Ltd. All rights reserved.

\*Product specifications and availability are subject to change without notice.

\*Despite our best efforts, technical or typographical errors may exist in this document. Uniview cannot be held responsible for any such errors and reserves the right to change the contents of this document without prior notice.