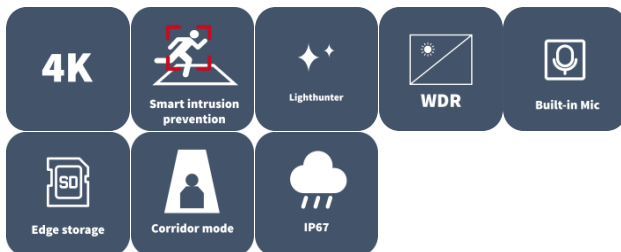


# 8MP LightHunter Intelligent Fixed IR Turret Network Camera IPC3618SS-ADF28(40)K-I1



## Features

- High quality image with 8 MP, 1/2.8" CMOS sensor
- 8 MP (3840 × 2160)@30/25 (default) fps; 5 MP (3072 × 1728)@30/25 fps; 4 MP (2560 × 1440)@30/25 fps; 1080P (1920 × 1080)@30/25 fps
- Ultra 265, H.265, H.264, MJPEG
- Intelligent perimeter protection, including cross line, intrusion, enter area, leave area detection
- Based on target classification, smart intrusion prevention significantly reduces false alarm caused by leaves, birds and lights, accurately focusing on human, motor vehicle and non-motor vehicle
- Intelligent people flow counting and crowd density monitoring
- Smart intrusion prevention with color retrieval
- ASM (auto scene match)
- LightHunter technology ensures ultra-high image quality in low illumination environment
- 130 dB true WDR technology ensures clear image in strong backlight scene
- Supports 9:16 corridor mode
- Built-in mic
- Smart IR, up to 40 m (131.2 ft) IR distance
- MicroSD, up to 512 GB
- IP67 protection

## Specifications

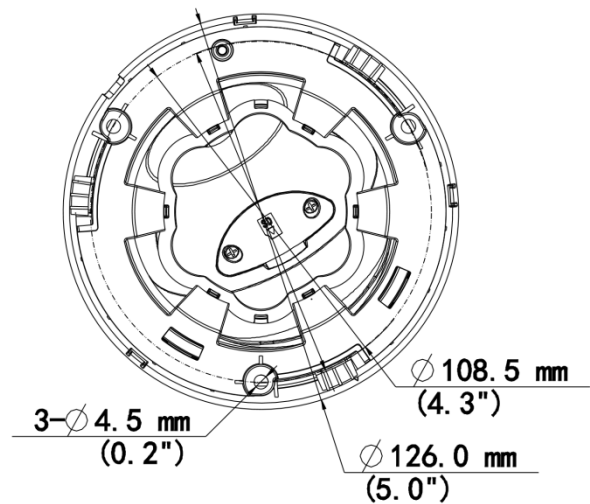
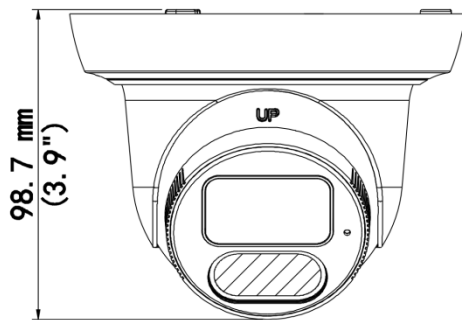
Model	IPC3618SS-ADF28K-I1	IPC3618SS-ADF40K-I1
<b>Camera</b>		
Max Resolution		8 MP
Sensor		1/2.8" CMOS
Min. Illumination		Color: 0.002 Lux (F1.6, AGC ON), 0 Lux with IR on
Day/Night		IR-cut filter with auto switch (ICR)
Shutter		Auto/Manual, 1 ~ 1/100000s
Adjustment Angle		Pan: 0° to 352°, Tilt: 0° to 70°, Rotate: 0° to 350°
S/N		>56 dB
WDR		130 dB
<b>Lens</b>		
Focal Length		4.0 mm
Iris Type		Fixed
Iris		F1.6
Field of View (H)		88.35°
Field of View (V)		49.61°
Field of View (D)		94.19°
Lens Type		Fixed
<b>DORI</b>		
DORI Distance (Lens)		4 mm
DORI Distance (Detect)		124.1 m (407.2 ft.)
DORI Distance (Observe)		49.7 m (163.1 ft.)
DORI Distance (Recognize)		24.8 m (81.4 ft.)
DORI Distance (Identify)		12.4 m (40.7 ft.)
<b>Illuminator</b>		
Illumination Distance (IR)		40 m (131.2 ft.)
IR On/Off Control		Auto/Manual
Wavelength		850 nm
<b>Video</b>		
Video Compression		Ultra 265 H.265 H.264 MJPEG
H.264 Code Profile		Baseline profile, Main profile, High profile
Frame Rate		Main Stream: 8 MP (3840 × 2160), max. 30 fps; 5 MP (3072 × 1728), max. 30 fps; 4 MP (2560 × 1440), max. 30 fps; 1080P (1920 × 1080), max. 30 fps; Sub Stream: 720P (1280 × 720), max. 30 fps; D1 (720 × 576), max. 30 fps; 640 × 360, max. 30 fps; 2CIF (704 × 288), max. 30 fps; CIF (352 × 288), max. 30 fps; Third Stream: D1 (720 × 576), max. 30 fps; 640 ×

		360, max. 30 fps; 2CIF (704 × 288), max. 30 fps; CIF (352 × 288), max. 30 fps;
Video Bit Rate		128 Kbps to 16 Mbps
U-code		Support
OSD		Up to 8 OSDs
Privacy Mask		Up to 4 areas
ROI		Support
Video Stream		Triple streams
<b>Image</b>		
Auto Scene Match (ASM)		Support (only WDR)
White Balance		Auto Outdoor Fine tune Sodium lamp Locked Auto2
Smart IR		Support
Digital Noise Reduction		2D/3D DNR
Flip		Normal Flip vertical Flip horizontal 180° 90° Clockwise 90° Anti-clockwise
Dewarping		N/A
HLC		Support
BLC		Support
Defog		Digital defog
<b>Intelligent</b>		
Smart Intrusion Prevention		Cross line detection, intrusion detection, enter area detection, leave area detection (support false alarm filtering and the classification of human, non-motor vehicle and vehicle)
Statistical Analysis		N/A
People Counting		Support people flow counting and crowd density detection
Attribute Collection		SIP with color retrieval
<b>Events</b>		
Basic Detection		Motion detection Ultra motion detection Tampering alarm Audio detection Object removed Object Left Behind
General Function		Watermark IP address filtering Access policy ARP protection RTSP authentication User authentication HTTP authentication
<b>Audio</b>		
Audio Compression		G.711U G.711A AAC-LC
Audio Bitrate		G.711U/G.711A: 64 kbps, AAC-LC: 128 kbps
Two-way Audio		N/A
Suppression		Support
Sampling Rate		G.711U/G.711A: 8 kHz, AAC-LC: 8 kHz, 16 kHz,








		48 kHz
<b>Storage</b>		
Edge Storage		MicroSD, up to 512 GB
Network Storage		ANR NAS (NFS)
<b>Network</b>		
Protocols		IPv4 IPv6 IGMP ICMP ARP TCP UDP DHCP PPPoE RTP RTSP RTCP RTMP DNS DDNS NTP FTP UPnP HTTP HTTPS SMTP 802.1x SNMP QoS SSL/TLS SSH
Compatible Integration		API SDK ONVIF (Profile S, Profile G, Profile T, Profile M)
User/Host		Up to 32 users. 3 user levels: administrator, common user and operator
Security		Password Protection Strong Password HTTPS Encryption Export Operation Logs Basic and Digest Authentication for RTSP Digest Authentication for HTTP TLS 1.2 WSSE and Digest Authentication for ONVIF
Client		EZStation APP
Web Browser		Plug-in required live view: IE 10+, Chrome 45+, Firefox 52+, Edge 79+ Plug-in free live view: Chrome 57+, Firefox 58+, Edge 16+
<b>Interface</b>		
Audio I/O		N/A
Alarm I/O		N/A
Serial Port		N/A
Built-in Mic		Support
Built-in Speaker		N/A
WIFI		N/A
Network		1 × RJ45 10 M/100 M Base-TX Ethernet
Video Output		N/A
<b>Certification</b>		
EMC		CE-EMC (EN 55032, EN 61000-3-3, EN IEC 61000-3-2, EN 50130) FCC (FCC 47 CFR part15 B)
Safety		CE-LVD (EN 62368-1) UL/CUL (UL 62368-1, CAN/CSA C22.2 No. 62368-1)
Environment		CE-RoHS (2011/65/EU;(EU)2015/863); WEEE (2012/19/EU)
Protection		IP67 (IEC 60529)
<b>General</b>		
Power		DC 12 V±25%, PoE (IEEE 802.3af)

Power Consumption		Max. 7.0 W
Power Interface		Ø5.5 mm coaxial power plug
Dimensions		Ø129 mm × 110 mm (Ø5.1" × 4.3") (Ø × H)
Weight		0.42 kg (0.93 lb.)
Material		Metal + Plastic
Working Environment		-30 °C to 60 °C (-22 °F to 140 °F), Humidity: ≤ 95% RH (non-condensing)
Storage Environment		-30 °C to 60 °C (-22 °F to 140 °F), Humidity: ≤ 95% RH (non-condensing)
Surge Protection		4 KV
Reset Button		N/A
Web Client Language		20 Languages: Traditional Chinese, English, Simplified Chinese, Polish, German, Russian, French, Korean, Dutch, Czech, Portuguese (Europe), Portuguese (Brazil), Japanese, Thai, Turkish, Spanish (Latin America), Spanish (Europe), Hungarian, Italian, Vietnamese

## Dimensions



## Accessories

<p><b>TR-JB03-H-IN-V2</b> Junction Box for Metal Turret Camera(Support wiring from behind)</p>	<p><b>TR-JB07/WM03-F-IN-V2</b> Wall Mounting Assembling Bracket with Back Hole for 3 Inch Hemisphere</p>	<p><b>TR-WM03-B-IN-V2</b> Wall Mounting Assembling Bracket for 3 Inch Hemisphere</p>
		
<p><b>TR-A01-IN</b> NPT 3/4" Waterproof Cable Gland</p>	<p><b>TR-UC08-C-V2</b> Bullet&amp;Dome Corner Mounting Bracket</p>	<p><b>TR-UP06-C-IN-V2</b> Pole Mounting Bracket for Bullet Junction Box Only</p>
		
<p><b>TR-SE24-IN</b> Dome Pendant Mounting Pole 200mm</p>	<p><b>TR-CM24-IN</b> Dome Pendant Mounting Bracket(Indoor)</p>	<p><b>TR-SE24-A-IN</b> Dome Pendant Mounting Pole 500mm</p>
		

# Unlimited New View

## Zhejiang Uniview Technologies Co., Ltd.



<http://www.uniview.com>



[overseasbusiness@uniview.com](mailto:overseasbusiness@uniview.com); [globalsupport@uniview.com](mailto:globalsupport@uniview.com)



No. 369, Xietong Road, Xixing Sub-district, Binjiang District, Hangzhou City, 310051, Zhejiang Province, China



©2023-2025 Zhejiang Uniview Technologies Co., Ltd. All rights reserved.

\*Product specifications and availability are subject to change without notice.

Despite our best efforts, technical or typographical errors may exist in this document. Uniview cannot be held responsible for any such errors and reserves the right to change the contents of this document without prior notice.