

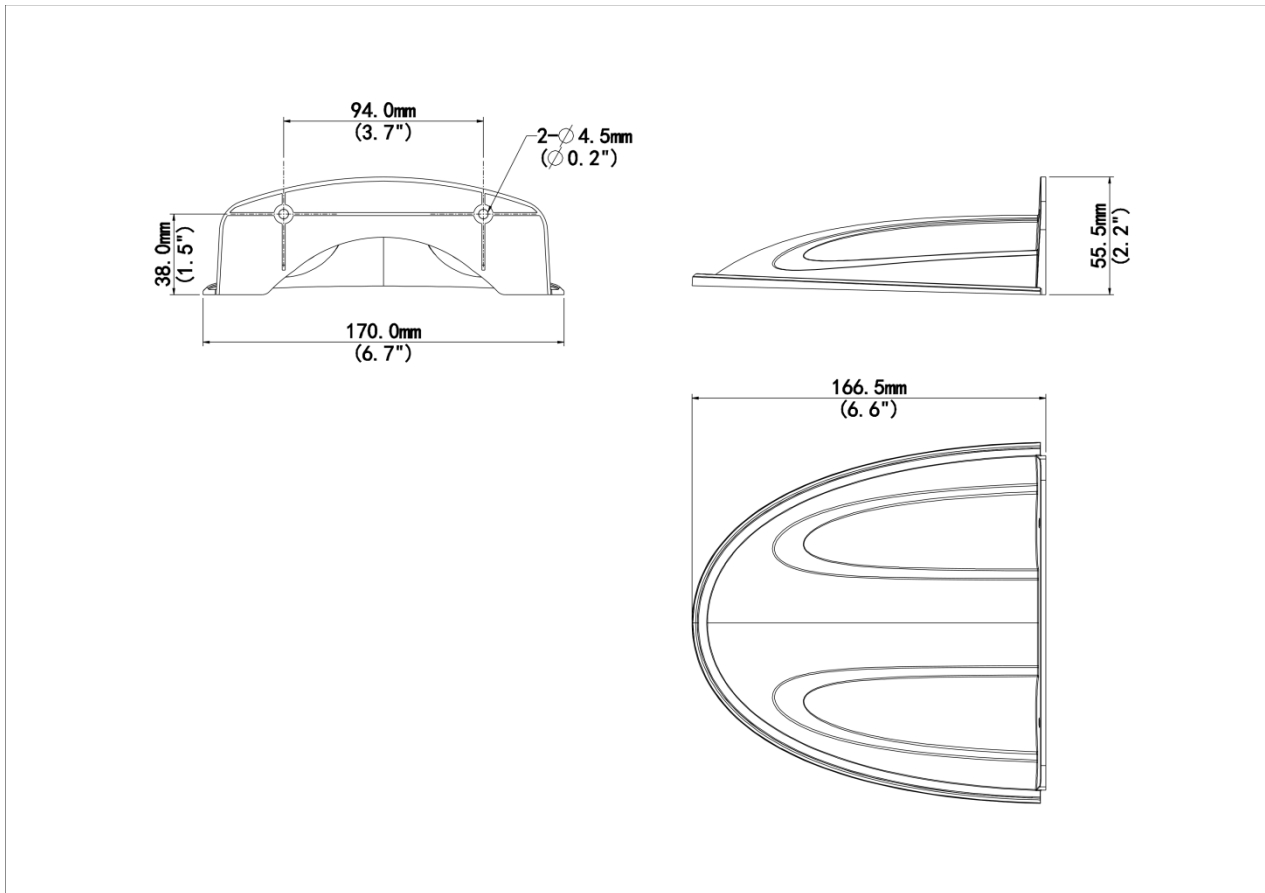
wall installation for IPC35X and IPC323X series Zoom Dome
HS-207S



Specifications

Model	HS-207S
Bracket	
Application	wall installation for IPC35X and IPC323X series Zoom Dome
Bracket Dimensions	166.5 mm × 170.0 mm × 55.5 mm (6.6" × 6.7" × 2.2")
Bracket Weight	0.09kg(0.20lb)
Bracket Material	Plastic

Dimensions



Unlimited New View

Zhejiang Uniview Technologies Co., Ltd.



<http://www.uniview.com>



overseasbusiness@uniview.com; globalsupport@uniview.com



No. 369, Xietong Road, Xixing Sub-district, Binjiang District, Hangzhou City, 310051, Zhejiang Province, China



©2023-2025 Zhejiang Uniview Technologies Co., Ltd. All rights reserved.

*Product specifications and availability are subject to change without notice.

Despite our best efforts, technical or typographical errors may exist in this document. Uniview cannot be held responsible for any such errors and reserves the right to change the contents of this document without prior notice.