

Analog Kit

KIT/XVR301-04G3/4*UAC-B112-F28



Features

XVR301-04G3

- Support H.265/H.264 video formats
- Support audio over coaxial cable(only for TVI cameras)
- Support TVI, AHD, CVI, CVBS, IP cameras with adaptive access
- 4/8/16-channel BNC input
- Support 1-ch HDMI output, 1-ch VGA output at up to 1920*1080
- HDMI and VGA simultaneous output
- Long transmission distance over coaxial cable
- Support mainstream cameras of ONVIF and RTSP protocols

UAC-B112-F28

- 2MP high quality image
- TVI/AHD/CVI/CVBS
- IR-cut filter with auto switch (ICR)
- Supports 180 horizontal flip, 180 vertical flip
- OSD configuration menu, easy to operate
- IP67 waterproof and dustproof design, high reliability
- OSD configuration menu in 11 languages

Specifications

XVR301-04G3

Model	XVR301-04G3	XVR301-08G3	XVR301-16G3
Video/Audio Input			
IP Video Input	2-ch	4-ch	8-ch
Analog Video Input	4-ch, BNC	8-ch, BNC	16-ch, BNC
Max IP Video Input	6-ch	8-ch	16-ch
Supported Analog Camera Types	Support AHD input: 5MP@20fps 4MP@30fps 1080P@30fps 720P@30fps Support TVI input: 5MP@20fps 4MP@30fps 1080P@30fps 720P@30fps Support CVI input: 5MP@20fps 4MP@30fps 1080P@30fps 720P@30fps Support CVBS input	Support AHD input: 5MP@12.5fps 1080P@30fps 720P@30fps Support TVI input: 5MP@12.5fps 1080P@30fps 720P@30fps Support CVI input: 4MP@15fps 1080P@30fps 720P@30fps Support CVBS input	Support AHD input: 5MP@12.5fps 1080P@30fps 720P@30fps Support TVI input: 5MP@12.5fps 1080P@30fps 720P@30fps Support CVI input: 1080P@30fps 720P@30fps Support CVBS input
RCA Audio Input	1-ch		
Video/Audio Output			
HDMI Output	HDMI: 1920 × 1080/60 Hz, 1920 × 1080/50 Hz, 1600 × 1200/60 Hz, 1280 × 1024/60 Hz, 1280 × 720/60 Hz, 1024 × 768/60 Hz		
VGA Output	VGA: 1920 × 1080/60 Hz, 1920 × 1080/50 Hz, 1600 × 1200/60 Hz, 1280 × 1024/60 Hz, 1280 × 720/60 Hz, 1024 × 768/60 Hz		
RCA Audio Output	1-ch		
Live View Display	HDMI/VGA: 1/4/6/8/9	HDMI/VGA: 1/4/6/8/9/16	HDMI/VGA: 1/4/6/8/9/25

Encoding/Decoding

Recording Resolution	5MP Lite/4MP Lite/1080P/720P/D1	5MP Lite/1080P Lite/720P/D1	5MP Lite/1080P Lite/720P/D1
Recording Frame Rate	Main stream: 5MP Lite@12fps Sub stream: D1@12fps Main stream: 4MP Lite@15fps Sub stream: D1@15fps Main stream: 1080P@15fps Sub stream: D1@15fps Main stream: 720P@25fps Sub stream: D1@25fps	Main stream: 5MP Lite@6fps Sub stream: D1@6fps Main stream: 1080P Lite@12fps Sub stream: D1@12fps Main stream: 720P@12fps Sub stream: D1@12fps	Main stream: 5MP Lite@6fps Sub stream: D1@6fps Main stream: 1080P Lite@12fps Sub stream: D1@12fps Main stream: 720P@12fps Sub stream: D1@12fps
Audio Sample Rate	8 kHz, 16 bit per channel		
Audio Bit Rate	64 Kbps per channel		
Decoding Capability	Analog: 2 x 5MP Lite@12, 2 x 4MP Lite@15, 2 x 1080P@15 IP: 1 x 4MP@30, 2 x 1080P@30	Analog: 4 x 5MP Lite@6, 4x 1080P Lite @12fps IP: 1 x 4MP@30, 2 x 1080P@30	Analog: 8 x 5MP Lite@6, 8 x 1080P Lite@12 IP: 1 x 8MP@30, 2 x 4MP@30, 4 x 1080P@30

Two-way Audio

Two-way Audio	1-ch, RCA (Using the audio input and output)
---------------	--

Analog Snapshot

FTP/Schedule /Event Snapshot	FTP/Event snapshot:4-ch snapshot, up to 704*576 resolution, Schedule snapshot:not supported	FTP/Event snapshot:8-ch snapshot, up to 704*576 resolution, Schedule snapshot:not supported	FTP/Event snapshot:16-ch snapshot, up to 704*576 resolution, Schedule snapshot:not supported
------------------------------	--	--	---

Network

Incoming Bandwidth	16Mbps (Up to 24Mbps after all analog channel conversion)	32Mbps (Up to 40Mbps after all analog channel conversion)	40Mbps (up to 56Mbps after all analog channel conversion)
Outgoing Bandwidth	48Mbps	64Mbps	64Mbps
Remote Users	128		
Protocols	TCP/IP, P2P, UPnP, DHCP, HTTP, HTTPS, DNS, DDNS, SMTP, NTP		
Browser(Plugin)	IE10, IE11, Chrome 45+, Edge 79+, Firefox 52+		

Smart

Analog Smart by XVR	Ultra Motion Detection (UMD)		
Smart Functions by XVR	4-ch (UMD)	4-ch (UMD)	8-ch (UMD)
Alarm			
General Alarm	Motion		
Alert Alarm	IP Conflict, Network Disconnected, Disk offline, Disk Abnormal, Illegal Access, Hard Disk Space Low, Hard Disk Full, Recording/Snapshot Abnormal		
GUI Language			
GUI Language	20 languages: English, Vietnamese, Thai, Turkish, Spanish (Latin America), Portuguese (Brazil), Spanish, Portuguese, French, German, Italian, Dutch, Polish, Czech, Hungarian, Slovak, Russian, Hebrew, Arabic, Ukrainian		
Hard Disk			
SATA	1 SATA interface		
Capacity	Up to 16 TB for each HDD (The maximum HDD capacity varies with environment temperature)		
External Interface			
Network Interface	1 RJ45 10 M/100 M self-adaptive Ethernet Interface		
USB	Rear panel: 2 × USB2.0		
Power Supply	DC 12 V/2 A		
Working Environment			
Working Temperature	-10 °C to 55 °C (14 °F to 131 °F)		
Working Humidity	≤ 90% RH (non-condensing)		
Power Consumption (without HDD)	≤ 8W	≤ 8W	≤ 10W
Dimensions			
Weight (without HDD)	≤1.1 Kg (2.42lb)		
Dimensions	260mm ×226mm× 47mm (10.2" × 8.9"×1.8")		

Certification

Certification	CE, FCC, UL, RoHS, WEEE
CE	EN 55032, EN 61000-3-3, EN IEC 61000-3-2, EN 55035
FCC	Part15 Subpart B

UAC-B112-F28

Model	UAC-B112-F28	UAC-B112-F40
-------	--------------	--------------

Sensor

Pixel	2 MP
Sensor Size	1/3.0" CMOS
Min. Illumination	0.02 lux (F2.0, AGC ON) 0 lux (IR on)

Lens

Focus	2.8 mm	4.0 mm
Lens Mount	M12	
Angle of View (H)	90.5°	80.2°
Angle of View (V)	49.6°	40.7°
Angle of View (D)	109.5°	90.5°

Illuminator

Illuminator Number	One IR illuminator
Illumination Distance	20m
Lifetime	≥ 60000 hours

Video

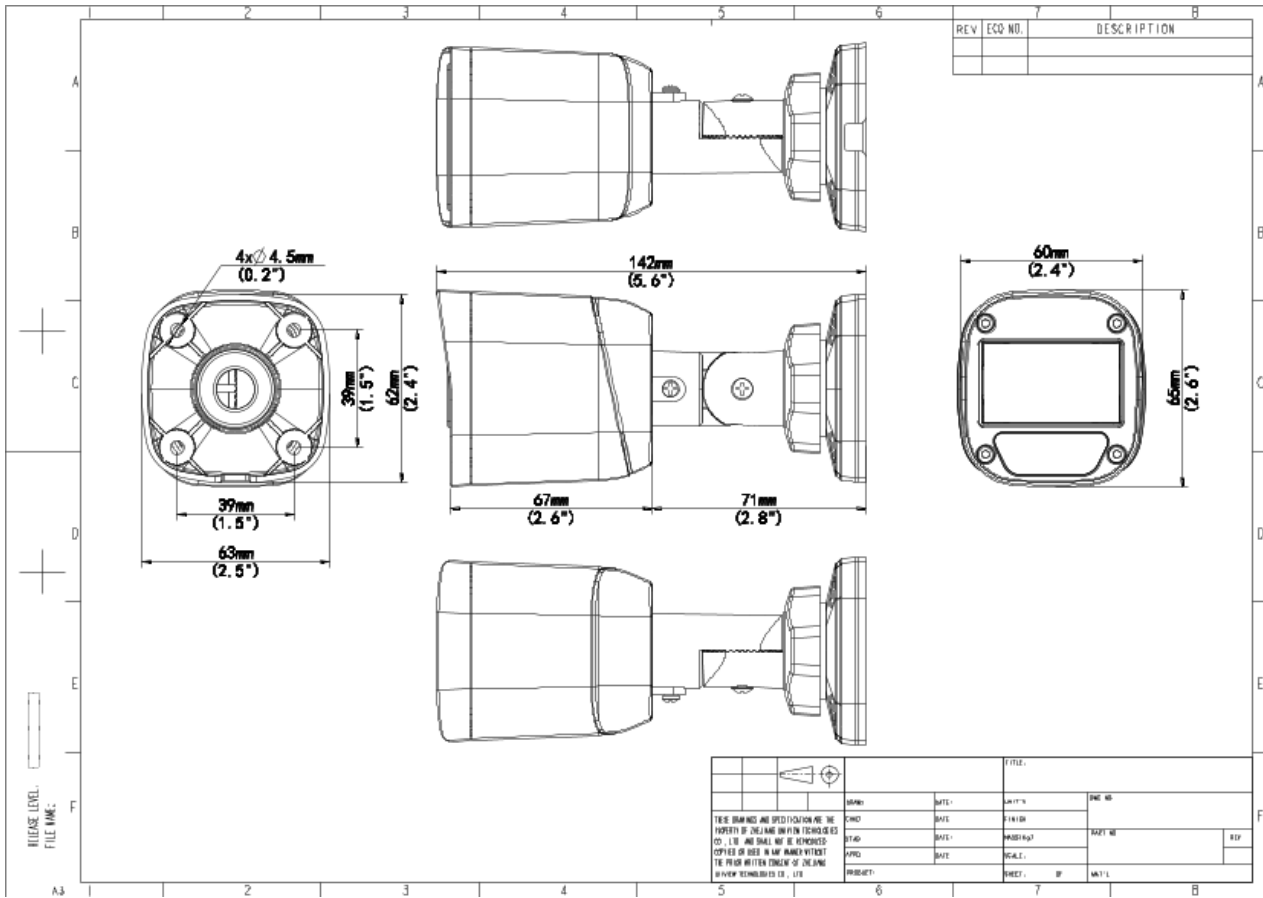
Resolution	1080P: 1920(H)×1080(V) 720P: 1280(H) ×720(V)
Frame Rate	TVI/AHD/CVI: 1080P@25fps(default), 1080P@30fps; 720P@25fps, 720P@30fps CVBS: PAL, NTSC
Shutter Time	PAL: 1/25s-1/50000s, NTSC: 1/30s-1/50000s

Image

Exposure Mode	Four modes: Global (default), BLC, HLC, DWDR
Day/Night	Three modes: Auto (default), Day, Night

Digital Noise Reduction	2D
White Balance	Two modes: Auto (default), Manual
WDR	DWDR
Smart IR	Support
Flip	Supports 180°horizontal flip, 180°vertical flip
Interface	
Power Interface	5.5 mm Power Interface
Video Output	BNC, supports TVI/AHD/CVI/CVBS
Operating Environment	
Temperature	-30°C to 60°C (-22°F to 140°F)
Humidity	≤ 95% RH (non-condensing)
Surge Protection	4 KV for power, 4 KV for video output interfaces
General	
Power	DC 12 V ± 25%
Power Consumption	MAX 2.88W
Mount	Corner Mount, Pole Mount
Dimensions	142mm*63mm*65mm (L*W*H)
Material	Plastic
Weight	135g(0.30lb)
OSD Menu Language	11 Languages English, German, Spanish (Latin America), French, Italian, Japanese, Korean, Polish, Portuguese (Brazil), Russian, Turkish
Certification	
EMC	CE-EMC (EN 55032, EN 61000-3-3, EN IEC 61000-3-2, EN 55035), FCC (FCC 47 CFR part15 B)
Safety	CE-LVD (EN 62368-1)
Environment	CE-RoHS (2011/65/EU; (EU) 2015/863); WEEE (2012/19/EU)
Protection	IP67 (IEC 60529)

Dimensions



*Despite our best efforts, technical or typographical errors may exist in this document. Uniview cannot be held responsible for any such errors and reserves the right to change the contents of this document without prior notice.