

5MP LightHunter WDR Network IR Bullet Camera

IPC265EB-DX12K-I0



Features

- High quality image with 5MP, 1/2.7" CMOS sensor
- 2880*1620@30fps in the main stream
- Ultra 265, H.265, H.264, MJPEG
- Triple streams offer more choices for different clients in an integrated solution
- 12X optical zoom allows for closer viewing of subjects
- Smart intrusion prevention, support false alarm filtering, include Cross Line, Intrusion, Enter Area, Leave Area detection
- People Counting, support people flow counting and crowd density monitoring, suitable for different statistical scenarios
- LightHunter technology ensures ultra-high image quality in low illumination environment
- Up to 120 dB Optical WDR (Wide Dynamic Range)
- Built-in heater, support normal start-up at low temperature
- DC12V or PoE+(IEEE 802.3at) power supply

Specifications

Model	IPC265EB-DX12K-I0
-------	-------------------

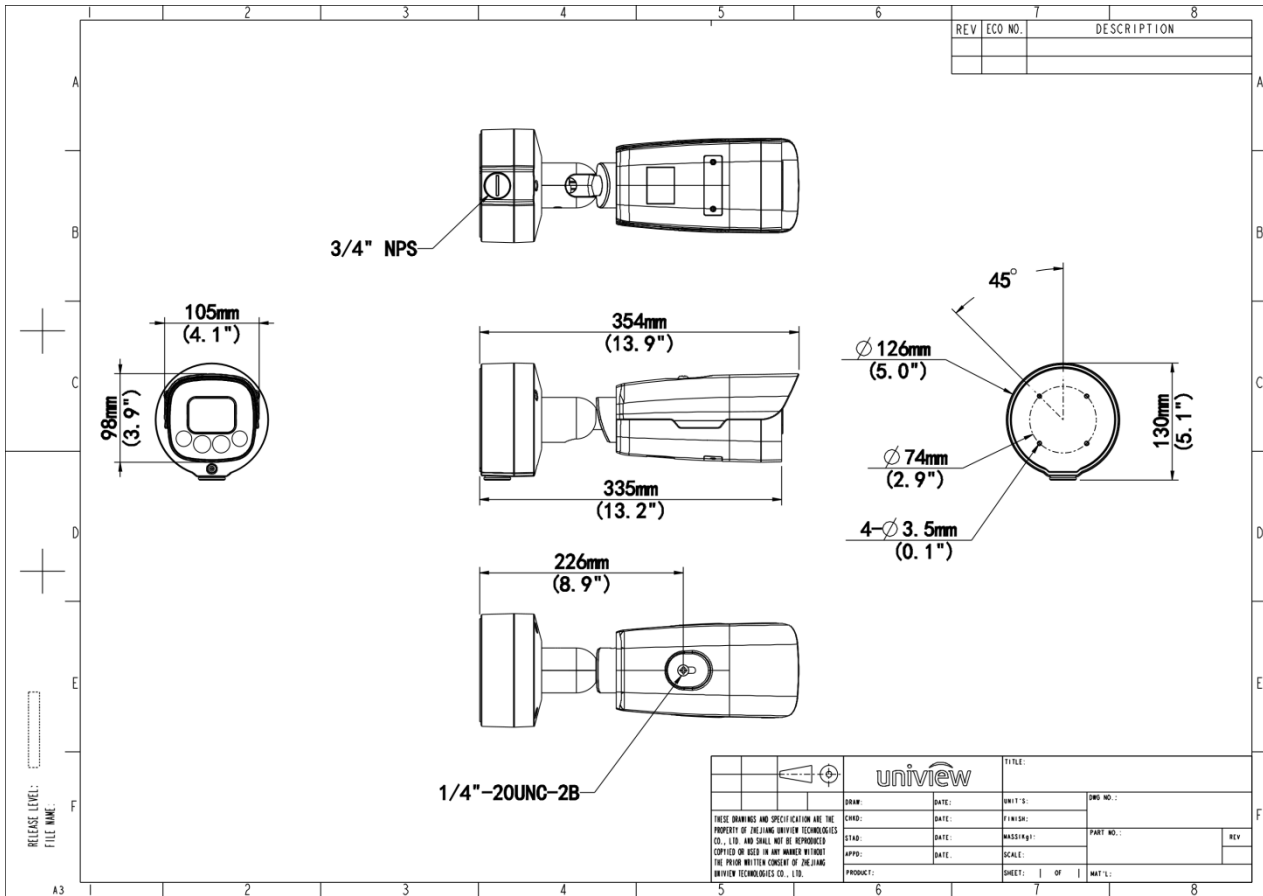
Camera	
Sensor	1/2.7" CMOS
Min. Illumination	Colour:0.001 lux (F1.6, AGC ON) 0 lux with IR
Day/Night	IR-cut filter with auto switch (ICR)
Shutter	Auto/Manual, 1 to 1/100000 s
WDR	120 dB
Adjustment Angle	Pan: 0° to 360° Tilt: 0° to 90° Rotate: 0° to 360°
S/N	>56 dB
Lens	
Focal Length	5 to 60 mm
Optical Zoom	12X
Digital Zoom	16X
Iris	F1.6
Field of View (H)	59.99°~5.73°
Field of View (V)	35.03°~3.39°
Field of View (D)	67.01°~6.61°
Iris Type	DC-iris
DORI	
DORI Distance (Lens)	5~60mm
DORI Distance (Detect)	119.3m(391.2ft)~1417.5m(4650.6ft)
DORI Distance (Observe)	47.7m(156.5ft)~567.0m(1860.2ft)
DORI Distance (Recognize)	23.9m(78.2ft)~283.5m(930.1ft)
DORI Distance (Identify)	11.9m(39.1ft)~141.8m(465.1ft)
Video	
Video Compression	Ultra 265, H.265, H.264, MJPEG
Video Bit Rate	128 Kbps to 16 Mbps
U-code	Support
ROI	Support

Video Stream	Triple Streams
Privacy Mask	Up to 4 areas
OSD	Up to 10 OSDs
Frame Rate-Main Stream	5MP (2880*1620), Max 30fps
Frame Rate-Sub Stream	1080P (1920*1080), Max 30fps
Frame Rate-Third Stream	D1 (720*576), Max 30fps
Events	
Basic Detection	Motion Detection, Tampering Alarm, Audio Detection, Object Removed, Object Left Behind
General Function	Watermark, IP Address Filtering, Access Policy, ARP Protection, RTSP Authentication, User Authentication, HTTP Authentication, Alarm Input
Audio	
Audio Compression	G.711U, G.711A
Audio Bitrate	128 Kbps
Two-way Audio	Support
Suppression	Support
Sampling Rate	16KHZ
Storage	
Edge Storage	Micro SD, up to 512 GB
Network Storage	ANR, NAS (NFS)
Network	
User/Host	Up to 32 users. 3 user levels: administrator, common user and operator
Protocols	SSH, IGMP, RTP, RTCP, SMTP, IPv4, IPv6, ICMP, ARP, TCP, UDP, DHCP, PPPoE, RTSP, RTMP, DNS, DDNS, NTP, FTP, UPnP, HTTP, HTTPS, 802.1x, SNMP, QoS, SSL/TLS
Compatible Integration	ONVIF (Profile S, Profile G, Profile T, Profile M), API, SDK
Security	TLS1.3, Password Protection, Strong Password, HTTPS Encryption, Export Operation Logs, Basic and Digest Authentication for RTSP, Digest Authentication for HTTP, TLS 1.2, WSSE and Digest Authentication for ONVIF
Client	EZStation, UNV-Link, UNV-Link Pro
Web Browser	Plug-in required live view: IE 10+, Chrome 45+, Firefox 52+, Edge 79+, Plug-in free live view: Chrome 57+, Firefox 58+, Edge 16+
Intelligent	

Exception Detection	Object Removed, Object Left Behind
Smart Intrusion Prevention	Cross line detection, intrusion detection, enter area detection, leave area detection (support false alarm filtering and the classification of human, non-motor vehicle and vehicle)
People Counting	Support People Flow Counting and Crowd Density Monitoring
Image	
White Balance	Auto, Outdoor, Fine Tune, Sodium Lamp, Locked, Auto2
Digital Noise Reduction	2D/3D DNR
Flip	Normal, Flip Vertical, Flip Horizontal, 180°, 90° Clockwise, 90° Anti-clockwise
HLC	Support
BLC	Support
Smart IR	Support
Defog	Digital Defog
Heatwave Reduction	Support
Interface	
Audio I/O	1 Input: impedance 1 k Ω , amplitude 2.5 V [p-p], 1 Output: impedance 600 Ω , amplitude 2.5 V [p-p]
Alarm I/O	2/1
Serial Port	1 channel RS485 interface
Network	1 \times RJ45 10 M/100 M Base-TX Ethernet
Video Output	1 BNC (For debugging)
Illuminator	
Illumination Distance (IR)	100 m (328.1 ft)
IR On/Off Control	Auto/Manual
Wavelength	850 nm
Certification	
EMC	CE-EMC (EN 55032: 2015+A1:2020,EN 61000-3-3: 2013+A1: 2019,EN IEC 61000-3-2: 2019+A1: 2021,EN 55035: 2017+A11:2020) FCC (FCC CFR 47 part15, Subpart B, ANSI C63.4-2014)
Safety	CE LVD (EN 62368-1:2014+A11:2017) UL (UL 62368-1, 2nd Ed., Issue Date: 2014-12-01)
Environment	CE-RoHS (2011/65/EU;(EU)2015/863); WEEE (2012/19/EU)

Protection	IP67 (IEC 60529:1989+AMD1:1999+AMD2:2013) IK10 (IEC 62262:2002)
General	
Power	DC12V(±25%) , PoE+ (IEEE 802.3at)
Power Consumption	Max 13W
Power Interface	Ø5.5 mm coaxial power plug
Dimensions	354 x 105 x 98 mm (13.9" x 4.1" x 3.9") (L x W x H)
Weight	1.93kg(4.25lb)
Working Environment	-40 °C to 60 °C (-40 °F to 140 °F), Humidity: ≤ 95% RH (non-condensing)
Storage Environment	-40 °C to 70 °C (-40 °F to 158 °F), Humidity: ≤ 95% RH (non-condensing)
Surge Protection	6 KV
Reset Button	Support
Web Client Language	22 Languages: Traditional Chinese, English, Simplified Chinese, Polish, German, Russian, French, Korean, Dutch, Czech, Portuguese (Europe), Portuguese (Brazil), Japanese, Thai, Turkish, Spanish (Latin America), Spanish (Europe), Hungarian, Italian, Vietnamese, Arabic, Slovak
Heater	Support

Dimensions



Accessories

TR-UP06-C-IN

Pole Mounting Bracket for Bullet Junction Box Only



Zhejiang Uniview Technologies Co., Ltd.

No. 369, Xietong Road, Xixing Sub-district, Binjiang District, Hangzhou City, 310051, Zhejiang Province, China (Zhejiang) Pilot Free Trade Zone, China

Email: overseasbusiness@uniview.com; globalsupport@uniview.com

<http://www.uniview.com>

©2023-2025 Zhejiang Uniview Technologies Co., Ltd. All rights reserved.

*Product specifications and availability are subject to change without notice.

*Despite our best efforts, technical or typographical errors may exist in this document. Uniview cannot be held responsible for any such errors and reserves the right to change the contents of this document without prior notice.