

2MP Fixed Intelligent Dual light Dome Network Camera IPC322SB-ADF28(40)KM-DL-I1



Features

- High quality image with 2 MP, 1/2.8" CMOS sensor
- 1080P (1920 × 1080)@30/25 fps; 720P (1280 × 720)@30/25 fps
- Ultra 265, H.265, H.264, MJPEG
- Smart intrusion prevention, including cross line, intrusion, enter area, leave area detection
- Intelligent intrusion prevention system based on target classification significantly reduces false alarms caused by leaves, birds, and lights, accurately focusing on humans, vehicles, and non-motor vehicles
- Support ultra motion detection
- Intelligent people flow counting and crowd density monitoring
- 120 dB true WDR technology enables clear image in strong light scene
- Supports 9:16 corridor mode
- MicroSD, up to 512 GB
- IK10 vandal resistant and IP67 protection

Specifications

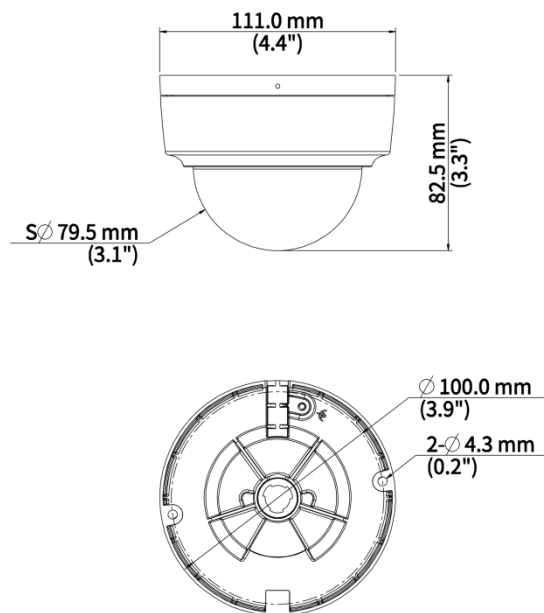
Model	IPC322SB-ADF28KM-DL-I1	IPC322SB-ADF40KM-DL-I1
Camera		
Max Resolution		2 MP
Sensor		1/2.8" CMOS
Min. Illumination		Color: 0.001F Lux (F1.6, AGC ON), 0 Lux with light
Day/Night		IR-cut filter with auto switch (ICR)
Shutter		Auto/Manual, 1 to 1/100000 s
Adjustment Angle		Pan: 8° to 360°, Tilt: 0° to 68°, Rotate: 10° to 360°
S/N		> 52 dB
WDR		120 dB
Lens		
Focal Length		4.0 mm
Iris		F1.6
Field of View (H)		86.5°
Field of View (V)		46.6°
Field of View (D)		102.5°
Lens Type		Fixed
Iris Type		Fixed
DORI		
DORI Distance (Lens)		4.0 mm
DORI Distance (Detect)		41.4 m (135.8 ft.)
DORI Distance (Observe)		20.7 m (67.9 ft.)
DORI Distance (Recognize)		9.9 m (32.6 ft.)
DORI Distance (Identify)		6.2 m (20.4 ft.)
Illuminator		
Illumination Distance (Warm Light)		30 m (98.4 ft.)
Illumination Distance (IR)		30 m (98.4 ft.)
Light On/Off Control		Auto/Manual
Wavelength		850 nm
Video		
Video Compression		Ultra 265 H.265 H.264 MJPEG
H.264 Code Profile		Baseline profile Main profile High profile
Frame Rate		Main Stream: 1080P (1920 × 1080), max. 30 fps; 720P (1280 × 720), max. 30 fps; Sub Stream: 720P (1280 × 720), max. 30 fps; D1 (720 × 576), max. 30 fps; 640 × 360, max. 30 fps; 2CIF (704 × 288), max. 30 fps; CIF (352 × 288), max. 30 fps;

		Third Stream: D1 (720 × 576), max. 30 fps; 640 × 360, max. 30 fps; 2CIF (704 × 288), max. 30 fps; CIF (352 × 288), max. 30 fps;
Video Bit Rate		128 Kbps to 16 Mbps
U-code		Support
OSD		Up to 8 OSDs
Privacy Mask		Up to 4 areas
ROI		Support
Video Stream		Triple streams
Image		
Smart IR		Support
White Balance		Auto Outdoor Fine tune Sodium lamp Locked Auto2 Area white balance
Digital Noise Reduction		2D/3D DNR
Flip		Normal Flip vertical Flip horizontal 180° 90° Clockwise 90° Anti-clockwise
Dewarping		Support
HLC		Support
Image Stabilization		N/A
BLC		Support
Defog		Digital defog
Intelligent		
Smart Intrusion Prevention		Cross line detection, intrusion detection, enter area detection, leave area detection (support false alarm filtering and the classification of human, non-motor vehicle and vehicle)
People Counting		Support people flow counting and crowd density detection
Events		
Basic Detection		Motion detection Ultra motion detection Tampering alarm Audio detection
General Function		Watermark IP address filtering Access policy ARP protection RTSP authentication User authentication HTTP authentication Alarm input Alarm output
Audio		
Audio Compression		G.711U G.711A AAC-LC
Audio Bitrate		G.711U/G.711A: 64 kbps, AAC-LC: 128 kbps
Two-way Audio		N/A
Suppression		Support
Sampling Rate		G.711U/G.711A: 8 kHz, AAC-LC: 8 kHz, 16 kHz, 48 kHz
Storage		

Edge Storage		MicroSD, up to 512 GB
Network Storage		ANR NAS (NFS)
Network		
Protocols		IGMP SMTP IPv6 ICMP ARP TCP UDP DHCP PPPoE RTSP DNS DDNS NTP UPnP HTTP 802.1x SNMP SSL/TLS IPv4 RTP RTCP RTMP HTTPS FTP
Compatible Integration		ONVIF (Profile S, Profile G, Profile T, Profile M) API SDK
User/Host		Up to 32 users. 2 user levels: administrator and common user
Security		Password protection Strong Password HTTPS encryption Export operation logs Basic and Digest Authentication for RTSP Digest Authentication for HTTP TLS 1.2 WSSE and Digest Authentication for ONVIF DTLS 1.2
Client		EZStation APP
Web Browser		Plug-in required live view: IE 10+, Chrome 45+, Firefox 52+, Edge 79+ Plug-in free live view: Chrome 57+, Firefox 58+, Edge 16+
Interface		
Audio I/O		1 Input: impedance 35 k Ω , amplitude 2 V [p-p] 1 Output: impedance 600 Ω , amplitude 2 V [p-p]
Alarm I/O		1/1
Serial Port		N/A
Built-in Mic		Support
Built-in Speaker		N/A
WIFI		N/A
Network		1 \times RJ45 10 M/100 M Base-TX Ethernet
Video Output		N/A
Certification		
EMC		CE-EMC (EN 55032, EN 61000-3-3, EN IEC 61000-3-2, EN 50130-4) FCC (FCC 47 CFR part15 B)
Safety		CE-LVD (EN 62368-1) UL/CUL (UL 62368-1, CAN/CSA C22.2 No. 62368-1)
Environment		CE-RoHS (2011/65/EU ; (EU) 2015/863) ; WEEE (2012/19/EU)
Protection		IP67 (IEC 60529) IK10 (IEC 62262)
General		
Power		DC 12 V \pm 25%, PoE (IEEE 802.3af)

Power Consumption		Max. 4.7 W
Power Interface		Ø5.5 mm coaxial power plug
Dimensions		Ø111.0 mm × 82.5 mm (Ø4.4" × 3.3") (Ø × H)
Weight		0.44kg (0.97lb)
Working Environment		-30 °C to 60 °C (-22 °F to 140 °F), Humidity: ≤ 95% RH (non-condensing)
Storage Environment		-30 °C to 60 °C (-22 °F to 140 °F), Humidity: ≤ 95% RH (non-condensing)
Surge Protection		4 KV
Material		Metal
Reset Button		Support
Web Client Language		20 Languages: Traditional Chinese, English, Simplified Chinese, Polish, German, Russian, French, Korean, Dutch, Czech, Portuguese (Europe), Portuguese (Brazil), Japanese, Thai, Turkish, Spanish (Latin America), Spanish (Europe), Hungarian, Italian, Vietnamese

Dimensions



Accessories

TR-JB03-G-IN

Junction Box for Mini Fix-dome(Support wiring from behind)



TR-JB07/WM03-G-IN-V2

Wall Mounting Assembling Bracket For 32 Fix-dome&Mini Fix-dome&Plastic Turret Camera



TR-WM03-D-IN-V2

Wall Mounting Bracket for 32 Fix-dome&Mini Fix-dome&Plastic Turret Camera



TR-UM06-E-IN

Slant Mounting Bracket for Fixed Dome



TR-A01-IN

NPT 3/4" Waterproof Cable Gland



TR-UP06-C-IN-V2

Pole Mounting Bracket for Bullet Junction Box Only



TR-UC08-C-V2

Bullet&Dome Corner Mounting Bracket



TR-SE24-IN

Dome Pendent Mounting Pole 200mm



TR-SE24-A-IN

Dome Pendent Mounting Pole 500mm



TR-CM24-IN

Dome Pendent Mounting Bracket(Indoor)



Unlimited New View

浙江宇视科技有限公司



<http://www.uniview.com>



overseasbusiness@uniview.com; globalsupport@uniview.com



South Tower, Building 10, Wanlun Science Park, 88 Jiangling Road, Hangzhou, P.R.China



©2023-2025 Zhejiang Uniview Technologies Co., Ltd. All rights reserved.

*Product specifications and availability are subject to change without notice.

虽然我司试图在本资料中提供准确的信息，但不保证资料的内容不含有技术性误差或印刷性错误，为此我司对本资料中的不准确不承担任何责任。我司保留在没有通知或提示的情况下对本资料的内容进行修改的权利。