

4MP WDR LightHunter IR Network Bullet Camera

IPC2B24SA-AHDZK-PI-I1



Features

- High quality image with 4MP, 1/2.8" CMOS sensor
- 2688*1520@60fps in the main stream, deliver detailed live while 60fps keeping it smooth and closer to the real image
- Motorized lens with P-iris, support accurate control of exposure
- Ultra 265, H.265, H.264, MJPEG
- Smart intrusion prevention, support false alarm filtering, include Cross Line, Intrusion, Enter Area, Leave Area detection
- People Counting, support people flow counting and crowd density monitoring, suitable for different statistical scenarios
- LightHunter technology ensures ultra-high image quality in low-light environment
- Up to 130 dB optical WDR (Wide Dynamic Range)
- DC12V or PoE (IEEE 802.3af) power supply
- Audio 1 in and 1 out, Alarm 1 in and 1 out
- IP67, IK10
- Intelligent function supported when frame rate is below 30fps

Specifications

Model	IPC2B24SA-AHDZK-PI-I1
Camera	
Max Resolution	4 MP
Sensor	1/2.8" CMOS
Min. Illumination	Colour: 0.003 lux (F1.6, AGC ON) 0 lux with IR
Day/Night	IR-cut filter with auto switch (ICR)
Shutter	Auto/Manual, 1 to 1/100000 s
WDR	130 dB
Adjustment Angle	Pan: 0° to 360° Tilt: 0° to 90° Rotate: 0° to 360°
S/N	>56 dB
Lens	
Focal Length	2.7 to 13.5 mm
Optical Zoom	5X
Iris	F1.6
Field of View (H)	98.7° ~ 31°
Field of View (V)	52.6° ~ 18°
Field of View (D)	116.5° ~ 35.8°
Iris Type	P-iris
DORI	
DORI Distance (Lens)	2.7 ~ 13.5 (mm)
DORI Distance (Detect)	74.3m (243.6ft) ~ 229.5 m (753.0ft)
DORI Distance (Observe)	29.7m (97.4ft) ~ 91.8m (301.2ft)
DORI Distance (Recognize)	14.9m (48.7ft) ~ 45.9m (150.6ft)
DORI Distance (Identify)	7.4m (24.4ft) ~ 23.0m (75.3ft)
Illuminator	
Illumination Distance (IR)	80 m (262 ft)
IR On/Off Control	Auto/Manual

Video

Video Compression	Ultra 265, H.265, H.264, MJPEG
Frame Rate-Main Stream	4MP (2688*1520), Max 60fps
Video Bit Rate	128 Kbps to 16 Mbps
U-code	Support
Frame Rate-Sub Stream	2MP (1920*1080), Max 60fps
ROI	Up to 8 areas
Video Stream	Triple Streams
Privacy Mask	Up to 8 areas (8 blacks / 8 mosaics)
OSD	Up to 10 OSDs
Frame Rate-Third Stream	D1 (720*576), Max 60fps

Image

White Balance	Auto, Outdoor, Fine Tune, Sodium Lamp, Locked, Auto2
Digital Noise Reduction	2D/3D DNR
Flip	Flip Vertical, Flip Horizontal, Normal, 180°, 90° Clockwise, 90° Anti-clockwise
HLC	Support
BLC	Support
Defog	Digital Defog

Intelligent

Smart Intrusion Prevention	Cross line detection, intrusion detection, enter area detection, leave area detection (support false alarm filtering and the classification of human, non-motor vehicle and vehicle)
People Counting	Support People Flow Counting and Crowd Density Monitoring

Events

Basic Detection	Motion Detection, Audio Detection, Tampering Alarm, Ultra Motion Detection
General Function	Watermark, IP Address Filtering, Access Policy, ARP Protection, RTSP Authentication, User Authentication, HTTP Authentication, Alarm Input, Alarm Output

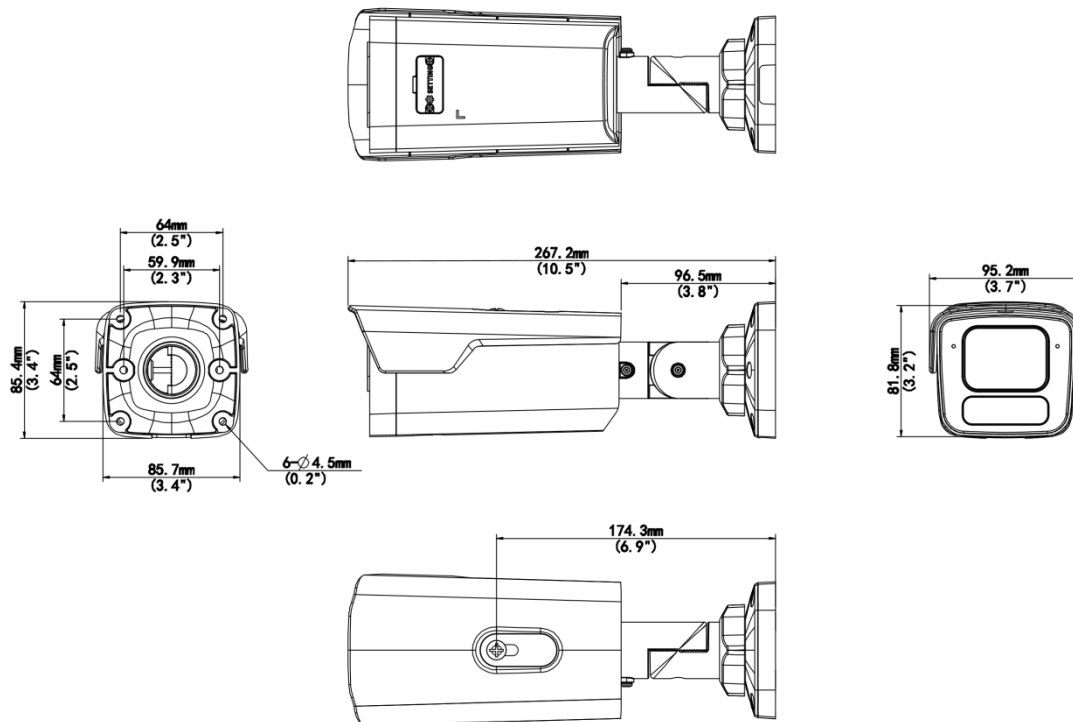
Audio

Audio Compression	G.711U, G.711A
Audio Bitrate	128 Kbps
Two-way Audio	Support
Suppression	Support
Sampling Rate	16 kHz

Storage	
Edge Storage	Micro SD, up to 512 GB
Network Storage	ANR, NAS (NFS)
Network	
Protocols	SSH, IGMP, RTP, RTCP, SMTP, IPv4, IPv6, ICMP, ARP, TCP, UDP, DHCP, PPPoE, RTSP, RTMP, DNS, DDNS, NTP, FTP, UPnP, HTTP, HTTPS, 802.1x, SNMP, QoS, SSL/TLS
Compatible Integration	ONVIF (Profile S, Profile G, Profile T, Profile M), API, SDK
User/Host	Up to 32 users. 3 user levels: administrator, common user and operator
Security	TLS1.3, Password Protection, Strong Password, HTTPS Encryption, Export Operation Logs, Basic and Digest Authentication for RTSP, Digest Authentication for HTTP, TLS 1.2, WSSE and Digest Authentication for ONVIF
Client	UNV-Link, UNV-Link Pro, EZStation
Web Browser	Plug-in required live view: IE 10+, Chrome 45+, Firefox 52+, Edge 79+
Interface	
Audio I/O	1/1
Alarm I/O	1/1
Serial Port	1 channel RS485 interface
Built-in Mic	Built-in two mics
Built-in Speaker	N/A
Network	1 × RJ45 10 M/100 M Base-TX Ethernet
Certification	
EMC	CE-EMC (EN 55032, EN 61000-3-3, EN IEC 61000-3-2, EN 50130) FCC-SDoC (47 CFR Part15, Subpart B)
Safety	CE LVD (EN IEC 62368-1) UL (UL 62368-1)
Environment	CE-RoHS (2011/65/EU;(EU)2015/863); WEEE (2012/19/EU)
Protection	IP67 (IEC 60529) IK10 (IEC 62262)
General	
Heater	N/A
Power	DC12V (±25%) , PoE (IEEE 802.3af)
Power Consumption	Max 8W

Power Interface	Ø5.5 mm coaxial power plug
Dimensions	268 x 96 x 86 mm (10.5" x 3.7" x 3.4") (L x W x H)
Weight	0.94kg(2.07lb)
Storage Environment	-40 °C to 70 °C (-40 °F to 158 °F), Humidity: ≤ 95% RH (non-condensing)
Working Environment	-30 °C to 60 °C (-22 °F to 140 °F), Humidity: ≤ 95% RH (non-condensing)
Surge Protection	6 KV
Reset Button	Support

Dimensions



Accessories

TR-JB07-D-IN

Bullet Junction Box(Support wiring from behind)



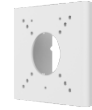
TR-UP06-C-IN

Pole Mounting Bracket for Bullet Junction Box Only



TR-UP06-B-IN

Bullet Pole Mounting Bracket



TR-A01-IN

NPT 3/4" Waterproof Cable Gland



Zhejiang Uniview Technologies Co., Ltd.

No. 369, Xietong Road, Xixing Sub-district, Binjiang District, Hangzhou City, 310051, Zhejiang Province, China (Zhejiang) Pilot Free Trade Zone, China

Email: overseasbusiness@uniview.com; globalsupport@uniview.com

<http://www.uniview.com>

©2024 Zhejiang Uniview Technologies Co., Ltd. All rights reserved.

*Product specifications and availability are subject to change without notice.

*Despite our best efforts, technical or typographical errors may exist in this document. Uniview cannot be held responsible for any such errors and reserves the right to change the contents of this document without prior notice.