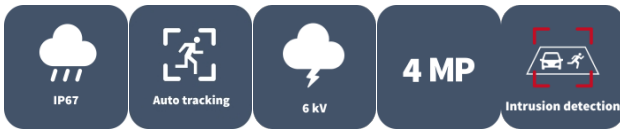


4MP 33X Dual-Light T-Type Network Camera HIC7542-FW@X33-E-VD2



주요 특징

- Built-in high-precision encoder with accuracy up to $\pm 0.04^\circ$; smooth PT operation with automatic deviation correction
- Wise-ISP image processing engine, intelligent noise reduction, stunning visual effects in low-light conditions
- People counting: supports people flow counting and crowd density monitoring, applicable to various scenarios
- automatic selection of best snapshots, supports face detection masked area
- Achieve 360° horizontal rotation (0° to 360°) and vertical tilt ranging from -90° to +90°
- Auto-Tracking: supports classification-based tracking of motor vehicles, non-motor vehicles, and pedestrians. Automatically returns to the preset position after reaching the set tracking duration
- Dual-Light Illumination for Extended Night Vision Supports white light up to 100m and infrared (IR) illumination up to 250m
- •

사양

Model	HIC7542-FW@X33-E-VD2-PH
카메라	
최대 해상도	4 MP
센서	1/1.8" CMOS
주간/야간	IR-cut filter with auto switch (ICR)
셔터	Auto/Manual, 1 to 1/100000 s
WDR	120 dB
S/N	> 56 dB
최저 조도	Color: 0.001 Lux (F1.5, AGC ON), 0 Lux with IR
렌즈	
초점 거리	6.5 to 214.5 mm
디지털 줌	16X
광학 줌	33X
Iris	F1.5 to F3.4
DORI	
DORI 거리(감지)	98.7 m to 2149.1 m (323.8 ft. to 7051.0 ft.)
DORI 거리(관찰)	39.5 m to 859.7m (129.5 ft. to 2820.4 ft.)
DORI 거리(인식)	19.5 m to 429.8 m (64.8 ft. to 1410.2 ft.)
DORI 거리(식별)	9.9 m to 214.9 m (32.4 ft. to 705.1 ft.)
비디오	
비디오 압축	H.265, H.264, MJPEG
프레임 속도	Main Stream Max: 4 MP (2688 × 1520), 30 fps Sub Stream Max: 1080P (1920 × 1080), 30 fps Third Stream Max: D1 (720 × 576), 30 fps

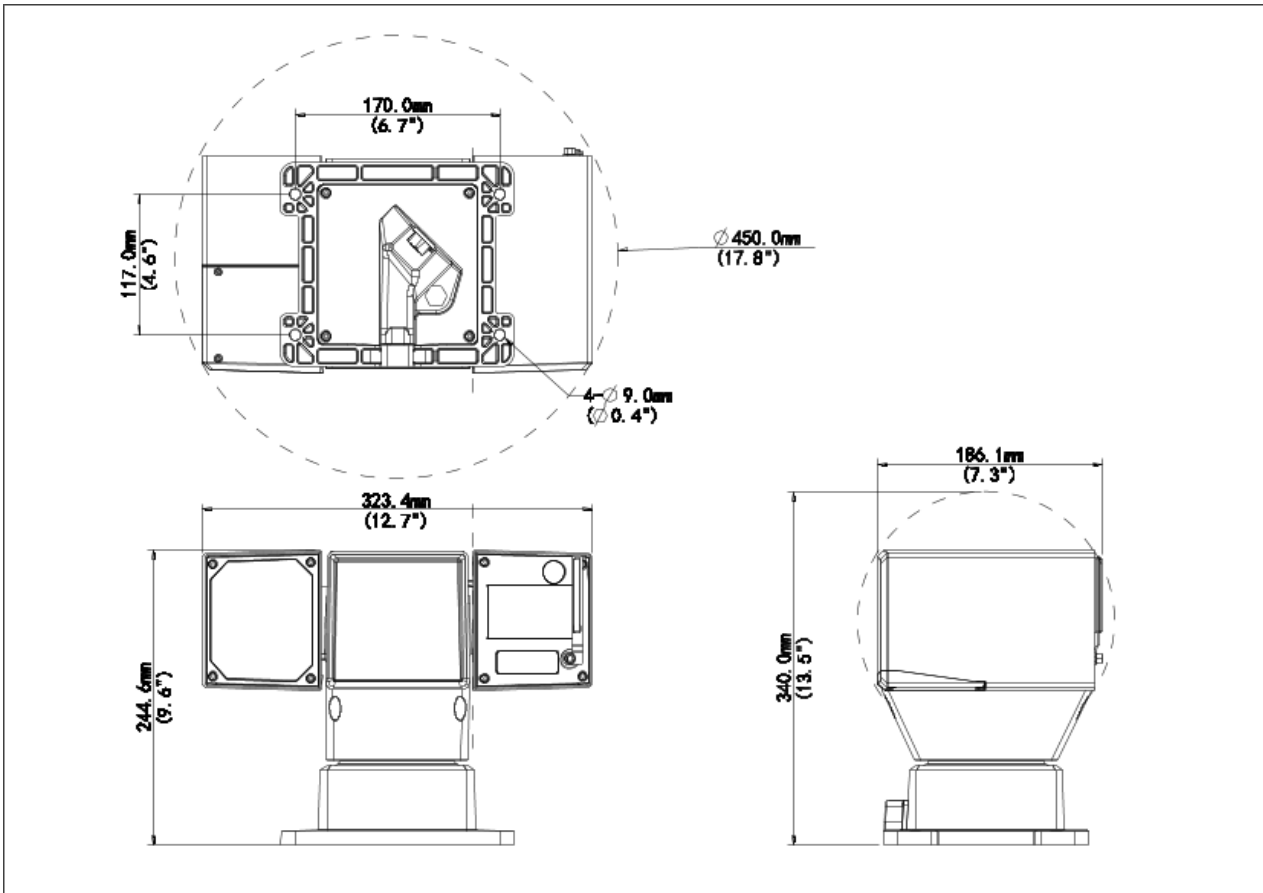
	Fourth Stream Max: D1 (720 × 576), 30 fps Fifth Stream Max: D1 (720 × 576), 30 fps
비디오 비트 전송률	128 Kbps to 16 Mbps
U-code	Support
프라이버시 마스크	24 areas, up to 8 areas per scene
ROI	Up to 8 areas
비디오 스트림	Five streams
OSD	Up to 10 OSDs
프레임 속도 권장값	2688 × 1520@60 fps + 1080P@60 fps + D1@30 fps 2688 × 1520@60 fps + 720P@60 fps + D1@60 fps + D1@60 fps + D1@60 fps 2560 × 1440@30 fps + 1080P@60 fps + D1@60 fps 1080P@60 fps + 1080P@60 fps + D1@60fp + D1@60fp + D1@60fp
이벤트	
기본 기능	Watermark, IP address filtering, Access policy, ARP protection, RTSP authentication, User authentication, Alarm input, Alarm output, HTTP authentication
오디오	
오디오 압축	G.711U, G.711A
샘플링 레이트	8 kHz, 16 kHz
저장 장치	
엣지 스토리지	MicroSD, up to 512 GB
네트워크	
사용자/호스트	Up to 32 users. 3 user levels: administrator, common user and operator
프로토콜	SSH, IGMP, RTP, RTMP, RTCP, IPv4, SSL/TLS, QoS, 802.1x, HTTPS, HTTP, UPnP, NTP, DDNS, DNS, RTSP, DHCP, UDP, TCP, ARP, ICMP, IPv6, SMTP, PPPoE, SNMP
호환 통합	SDK, API, ONVIF (Profile S, Profile G, Profile T, Profile M)
보안	Password Protection, Strong Password, HTTPS Encryption, Export Operation Logs, Basic and Digest Authentication for RTSP, Digest Authentication for HTTP, WSSE and Digest Authentication for ONVIF, TLS 1.3
웹 브라우저	Plug-in required live view: IE 10+, Chrome 45+, Firefox 52+, Edge 79+, Plug-in free live view: Chrome 57+, Firefox 58+, Edge 16+
PTZ	

프리셋 순찰	16 patrols, up to 64 presets for each patrol
순찰 대기 시간	15 s to 1800 s
프리셋 이미지 정지	Support
틸트 범위	-90° to 90°
홈 위치	Support
팬 속도	0.1°/s to 300°/s
팬 범위	360° (endless)
틸트 속도	0.1°/s to 240°/s
프리셋 개수	1024
이미지	
화이트 밸런스	Auto, Outdoor, Fine tune, Sodium lamp, Locked, Auto2, Area white balance
BLC	Support
디지털 노이즈 제거	2D/3D DNR
이미지 회전	Normal, Flip vertical, Flip horizontal, 180°
HLC	Support
디포그	Optical defog
저조도 특성	ColorHunter with Wise-ISP
이미지 안정화	EIS (Gyroscope)
인터페이스	
오디오 I/O	1 Input: impedance 1 kΩ, amplitude 2.5 V [p-p], 1 Output: impedance 600 Ω, amplitude 2.5 V [p-p]
네트워크	1 × RJ45 10 M/100 M Base-TX Ethernet
알람 I/O	7/2

시리얼 포트	1 × RS485
지능형	
피플 카운팅	Support people flow counting and crowd density detection
예외 감지	Object removed, Object Left Behind
자동 추적	Support
얼굴 캡처	Support
멀티 타겟 감지	Support human body, human face, motor vehicle and non-motor vehicle image capture and attribute collection
스마트 침입 방지	Cross line detection, intrusion detection, enter area detection, leave area detection (support false alarm filtering and the classification of human, non-motor vehicle and vehicle)
조명	
조명 거리(웜라이트)	100 m (328.1 ft.)
IR 켜짐/꺼짐 컨트롤	Auto/Manual
조명 거리(IR)	250 m (820.2 ft.)
일반	
크기	323.4mm*186.1mm*244.6mm
무게	8.28 kg
저장 환경	-40 °C to 70 °C (-40 °F to 158 °F), Humidity: ≤ 95% RH (non-condensing)
서지 보호	6 KV
작업 환경	-40 °C to 70 °C (-40 °F to 158 °F), Humidity: ≤ 95% RH (non-condensing)
재료	Metal
전원	DC 24 V±25%, AC 24 V±25%
전력 소비량	Max. 60 W

인증	
보호	IP67 (IEC 60529) ; IK10 (IEC62262; Anti-Vandalism Except for the Front Window)
라이브 뷰	
3D 사생활 보호	Support

크기



Unlimited New View

浙江宇视科技有限公司



<http://www.uniview.com>



overseasbusiness@uniview.com; globalsupport@uniview.com



South Tower, Building 10, Wanlun Science Park, 88 Jiangling Road, Hangzhou, P.R.China



©2023-2025 Zhejiang Uniview Technologies Co., Ltd. All rights reserved.

*Product specifications and availability are subject to change without notice.

虽然我试图在本资料中提供准确的信息，但不保证资料的内容不含有技术性误差或印刷性错误，为此我司对本资料中的不准确不承担任何责任。我司保留在没有通知或提示的情况下对本资料的内容进行修改的权利。