

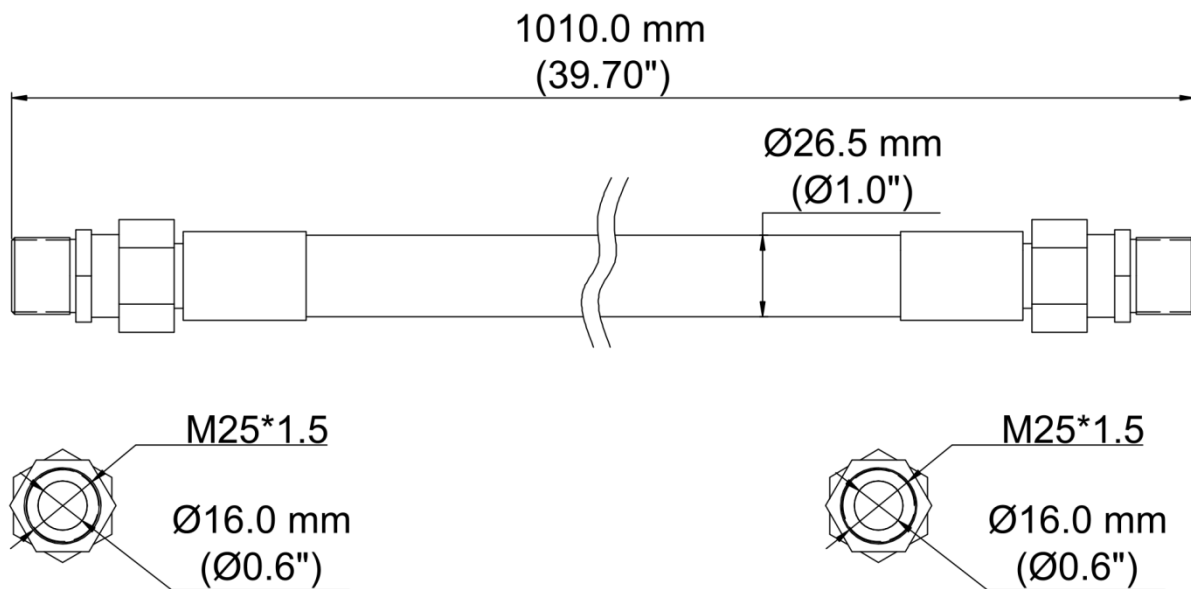
## Explosion-proof flexible conduit TR-FP10-L



## Features

- This explosion-proof flexible conduit is equipped with 316L stainless steel threaded fittings on both ends and features a high-quality rubber outer jacket.
- Features flame resistance, oil resistance, corrosion resistance, water resistance, abrasion resistance, aging resistance, excellent flexibility, and structural stability, thereby enhancing on-site reliability.
- Explosion-proof, waterproof, and dustproof design
- Flexible structure, suitable for indoor and outdoor use, easy to install and maintain.
- Specifically designed for the installation of explosion-proof cameras and explosion-proof control boxes, this component provides a flexible connection between steel conduits and explosion-proof equipment.

## Dimensions



## Accessories

<p><b>TR-JB13-L</b> Explosion-proof Control Box</p>	<p><b>TR-JB16-L</b> Explosion-proof Control Box</p>	
		

# Unlimited New View

## Zhejiang Uniview Technologies Co., Ltd.



<http://www.uniview.com>



[overseasbusiness@uniview.com](mailto:overseasbusiness@uniview.com); [globalsupport@uniview.com](mailto:globalsupport@uniview.com)



No. 369, Xietong Road, Xixing Sub-district, Binjiang District, Hangzhou City, 310051, Zhejiang Province, China



©2023-2025 Zhejiang Uniview Technologies Co., Ltd. All rights reserved.

\*Product specifications and availability are subject to change without notice.

Despite our best efforts, technical or typographical errors may exist in this document. Uniview cannot be held responsible for any such errors and reserves the right to change the contents of this document without prior notice.