

8MP WDR LightHunter IR Network Bullet Camera

IPC2228SB-ADF40KM-I1



Features

- Ultra high quality image with 8MP, 1/2.8" CMOS sensor
- 3840*2160@30fps in the main stream, sub stream can be 1080P@30fps simultaneously
- Ultra 265, H.265, H.264, MJPEG
- Smart intrusion prevention, support false alarm filtering, include Cross Line, Intrusion, Enter Area, Leave Area detection
- LightHunter technology ensures ultra-high image quality in low illumination environment
- Support 9:16 Corridor Mode
- Up to 120 dB Optical WDR (Wide Dynamic Range)
- Support Smart IR, up to 80m IR range
- DC12V or PoE (IEEE 802.3af) power supply
- Audio 1 in and 1 out, Alarm 1 in and 1 out
- Built-in Mic
- IP67, IK10

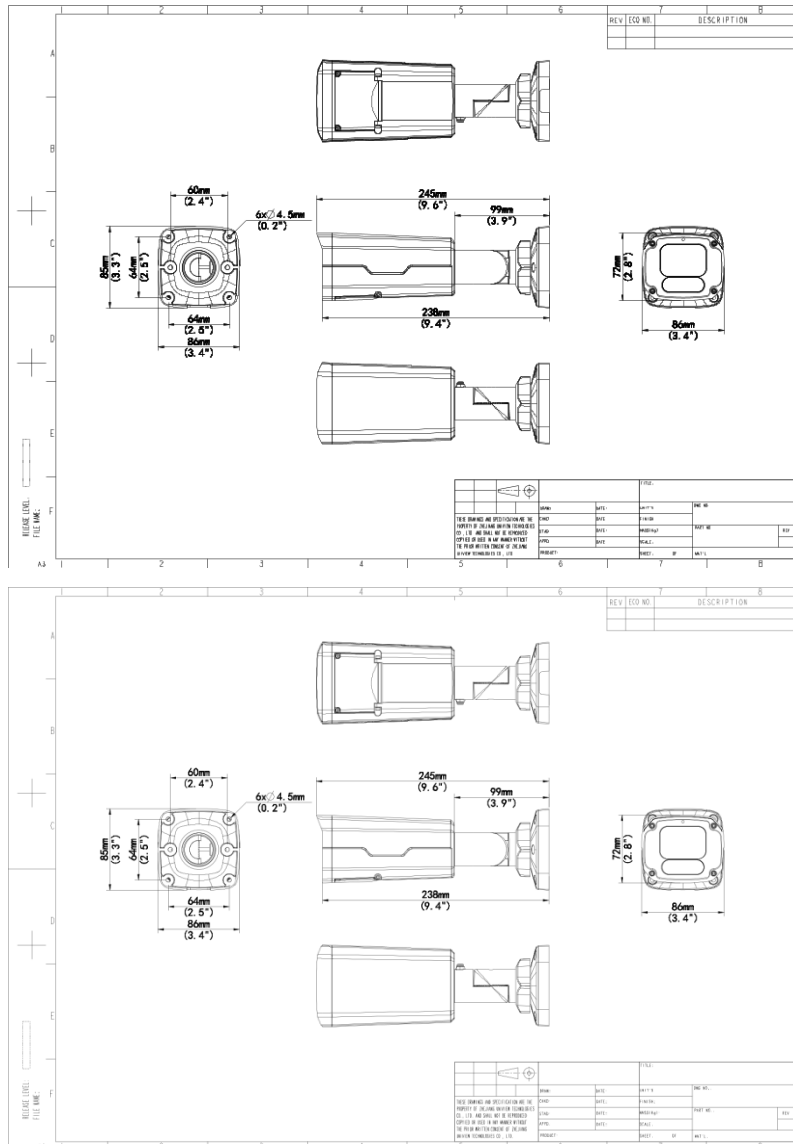
Specifications

Camera	Description
Max Resolution	8MP
Sensor	1/2.8" CMOS
Min. Illumination	Colour:0.002 lux (F1.6, AGC ON) 0 lux with IR
Day/Night	IR-cut filter with auto switch (ICR)
Shutter	Auto/Manual, 1 ~ 1/100000s
WDR	120dB
S/N	>56dB
Lens	Description
Focal Length	4.0 mm
Iris Type	Fixed
Iris	F1.6
Field of View (H)	84°
Field of View (V)	47°
Field of View (D)	103.3°
DORI	Description
DORI Distance(Lens)	4.0mm
DORI Distance(Detect)	124.2m(407.6ft)
DORI Distance(Observe)	49.7m(163.0ft)
DORI Distance(Recognize)	24.8m(81.5ft)
DORI Distance(Identify)	12.4m(40.8ft)
Illuminator	Description
Illumination Distance(IR)	80 m (262 ft)
Wavelength	850 nm
Video	Description
Video Compression	Ultra 265; H.265; H.264; MJPEG
Frame Rate—Main Stream	8MP (3840*2160), Max 30fps
Frame Rate—Sub Stream	1080P (1920*1080), Max 30fps

Frame Rate-Third Stream	D1 (720*576), Max 30fps
Video Bit Rate	128 Kbps ~ 16 Mbps
ROI	Up to 8 areas
Video Stream	Triple Streams
OSD	Up to 10 OSDs
Privacy Mask	Up to 8 areas (8 blacks/ 8 mosaics)
Image	Description
White Balance	Auto; Outdoor; Fine Tune; Sodium Lamp; Locked; Auto2
Digital Noise Reduction	2D/3D DNR
Smart IR	Support
Flip	Normal; Flip Vertical; Flip Horizontal; 180°; 90°Clockwise; 90°Anti-clockwise
HLC	Support
Defog	Digital Defog
Intelligent	Description
Smart Intrusion Prevention	Support False Alarm Filtering: Cross Line Detection, Intrusion Detection, Enter Area Detection, Leave Area Detection
Events	Description
Basic Detection	Motion Detection; Ultra Motion Detection; Tampering Alarm; Audio Detection
General Function	Watermark; IP Address Filtering; Access Policy; ARP Protection; RTSP Authentication; User Authentication; HTTP Authentication; Alarm Input; Alarm Output
Audio	Description
Audio Compression	G.711U; G.711A
Two-way Audio	Support
Suppression	Support
Sampling Rate	8KHz, 16KHz
Storage	Description
Edge Storage	Micro SD, up to 512 GB
Network Storage	ANR; NAS (NFS)
Network	Description
Protocols	IGMP; RTP; SMTP; IPv4; IPv6; ICMP; ARP; TCP; UDP; DHCP; PPPoE; RTSP; RTCP; RTMP; DNS; DDNS; NTP; FTP; UPnP; HTTP; HTTPS; 802.1x; SNMP; QoS; SSL/TLS; SSH
Compatible Integration	ONVIF (Profile S, Profile G, Profile T, Profile M)

User/Host	Up to 32 users. 3 user levels: administrator, common user and operator
Security	Password Protection; Strong Password; HTTPS Encryption; Export Operation Logs; Basic and Digest Authentication for RTSP; Digest Authentication for HTTP; TLS 1.2; WSSE and Digest Authentication for ONVIF; TLS1.3
Client	EZStation; EZLive; EZView
Web Browser	Plug-in required live view: IE 10 and above, Chrome 45 and above, Firefox 52 and above, Edge 79 and above
Interface	Description
Audio I/O	1/1
Alarm I/O	1/1
Built-in Mic	Support
Network	1 x RJ45 10M/100M Base-TX Ethernet
Certification	Description
EMC	CE-EMC (EN 55032: 2015+A1:2020, EN 61000-3-3: 2013+A1: 2019, EN IEC 61000-3-2: 2019+A1: 2021, EN 55035: 2017+A11:2020) FCC (FCC CFR 47 part15 B, ANSI C63.4-2014)
Safety	CE LVD (EN 62368-1:2014+A11:2017) UL (UL 62368-1, 3rd Ed., 2021-10-22)
Environment	CE-RoHS (2011/65/EU;(EU)2015/863); WEEE (2012/19/EU); Reach (Regulation (EC) No 1907/2006)
Protection	IP67 (IEC 60529:1989+AMD1:1999+AMD2:2013) IK10 (IEC 62262:2002)
General	Description
Power	DC12V(±25%), PoE (IEEE 802.3af)
Built-in DC12V Output	Support
Power Consumption	Max 10W
Power Interface	Ø 5.5mm coaxial power plug
Dimensions	245 x 87 x 86mm(9.6"x 3.4" x 3.4")
Weight	0.82kg(1.81lb)
Working Environment	-30 °C ~ 60 °C (-22 °F ~ 140 °F), Humidity: ≤95% RH (non-condensing)
Storage Environment	-40 °C ~ 70 °C (-40 °F ~ 158 °F), Humidity: ≤95% RH (non-condensing)

Dimensions



Zhejiang Uniview Technologies Co., Ltd.

No. 369, Xietong Road, Xixing Sub-district, Binjiang District, Hangzhou City, 310051, Zhejiang Province, China

Email: overseasbusiness@uniview.com; globalsupport@uniview.com

<http://www.uniview.com>

©2024 Zhejiang Uniview Technologies Co., Ltd. All rights reserved.

*Product specifications and availability are subject to change without notice.

*Despite our best efforts, technical or typographical errors may exist in this document. Uniview cannot be held responsible for any such errors and reserves the right to change the contents of this document without prior notice.