

UNV 4MP LPR Bullet Camera (8 to 32mm, PoE, H.265, warm light(IR)) Datasheet V1.00

PKC2640@Z80(-IR)-P



Features

- Features
- Optics
 - Built-in lens supports motorized zoom to adapt to different scenes and allows for easy installation.
 - Automatic gain control, white balance, and WDR for various light conditions.
- Compression
 - Supports triple streams.
 - Advanced H.265 encoding technology improves compression efficiency.
 - Custom OSD allows various vehicle information to be overlaid on the video image.
- Functions
 - Built-in vehicle and license plate recognition algorithm can recognize standard license plates of multiple countries.
 - Supports capturing vehicle head only.
 - Supports plate allowlist and blocklist configuration.
 - Supports vehicle access control when connected to a barrier.
 - Supports Micro SD cards of up to 256GB.
 - Automatic network replenishment (ANR) allows to automatically store video to SD card in case of network disconnection.
 - Supports audio collection and intercom.

- Network
- Network auto-adaptability ensures smooth live video in relatively bad network conditions such as packet loss.
- Supports SNMP.
- Supports UNP for NAT traversal between public and private networks.
- Supports integration with the third party via SDK or HTTP.
- Network Security
- Supports authorized user access by password. Weak password detection and account lock-up when failed login attempts reach the upper limit enhance password security.
- Supports Web access via HTTPS.
- RTSP authentication prevents unauthorized video stream requests.
- IP address filtering prevents illegal access from untrusted IP addresses.
- Gateway ARP protection prevents MAC address spoofing.
- Structure
- Supports DC 12V and PoE (802.3at) power supplies.
- Cast aluminum body offers excellent heat dissipation.
- 3-axis mounting bracket for various installation scenarios.
- A junction box on the mounting bracket is convenient for storing tail cables.
- IP67 and IK10 protection.

Specifications

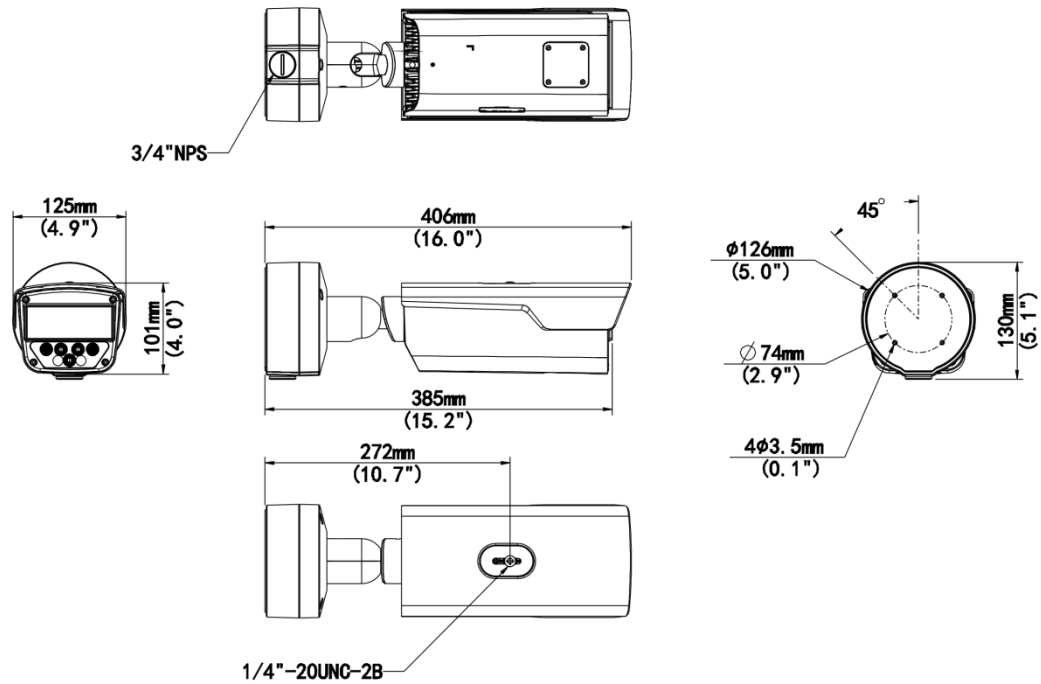
Model	PKC2640@Z80-P	PKC2640@Z80-IR-P	PKC2640@Z80-P	PKC2640@Z80-IR-P
Camera				
Sensor	1/1.8-inch 4MP CMOS			
Focal length	8 to 32mm	8 to 32mm, motorized zoom	8 to 32mm, motorized zoom	8 to 32mm, motorized zoom
Shutter	Auto/Manual, range: 1/30 to 1/100000s			
Minimum illumination	0.002lux (F1.7)			
FOV	Horizontal FOV: 42.4° to 15.9°, Vertical FOV: 23.9° to 9.8°, Diagonal FOV: 52.5° to 17.8°			
Image				

Image collection format	2688*1520@30 (default), 2688*1520@25			
Resolution	Main stream: 2688*1520, 1080P (default), 720P, D1; Sub stream: 720P (default), D1, 2CIF, CIF; Third stream: D1 (default), 2CIF, CIF			
Frame rate	30 (default), 25, 22, 20, 18, 16, 15, 12.5, 10, 8, 6, 5, 4, 3, 2, 1			
Video compression	H.264 (default), H.265			
ROI	Supports up to 8 regions			
Video OSD	Supports 8 overlay areas and allows contents including date, time, date&time, zoom ratio, custom contents			
Image OSD	Supports 8 overlay areas and allows contents including time, license plate number, device ID, camera ID, allowlist, image authentication ID, custom contents (3 items), location			
Smart				
Application scenario	≤ 80km/h for regular roads; Camera with the focal length of 8 to 32mm can be used for regular roads			
Vehicle detection mode	Supports video detection			
License plate number recognition	Supports recognition of license plates with numbers and letters by default			
List configuration	Supports allowlist and blocklist configuration, each list allows 20,000 items Supports import, export, add, and delete operations			
Barrier opening policy	Open barrier only for the recognized vehicles Open barrier for all vehicles Open barrier only for vehicles on the allowlist Open barrier for vehicles not on the blocklist Configurable Boolean output ID			
Storage				
Edge storage	Supports ANR with a Micro SD card, up to 256GB			
Structure				
Illumination	Built-in integrated illumination module, including 4 warm light LEDs, 50m illumination distance, automatic on/off control	Built-in integrated illumination module, including 4 IR LEDs, 50m illumination distance, automatic on/off control	Built-in integrated illumination module, including 4 warm light LEDs, 50m illumination distance, automatic on/off control	Built-in integrated illumination module, including 4 IR LEDs, 50m illumination distance, automatic on/off control
Bracket	3-axis mounting bracket			

Junction box	The camera comes with a junction box for storing tail cable
Network	
Protocols	IGMP,IPv6,ICMP,ARP,TCP,UDP,DHCP,PPPoE,RTSP,DNS,DDNS,NTP,UPnP,HTTP,HTTPS,802.1x,SNMP,QoS,SSL/TLS,SSH,IPv4
Compatible Integration	ONVIF (Profile S, Profile G, Profile T),SDK,API
Interface	
Network interface	1×10M/100M RJ45
Serial port	1 × RS485
Boolean output	1 relay output, withstand voltage: AC 125V/0.3A, DC 30V/1A
Boolean input	2 x input, supports level (up to DC 5V) and switch signal
Audio interface	1 × audio input, 1 × audio output
Storage interface	1 × Micro SD card slot
BNC	PAL,NTSC
Reset button	Support
General	
Power supply	DC12V + 25% - 10% Max. power consumption: 20W Supports PoE (802.3at, class 4)
Dimensions (L×W×H)	406mm x 126mm x 130mm
Weight	2.1kg
Operating environment	-40°C to 60°C, ≤90% RH
Ingress protection	IP67, IK10
Heater	N/A

Dimensions

Aggregate product size diagram using "main model" as an example



Ordering Info

Product Model	Config	Description
PKC2640	Z80-P	4MP LPR Bullet Camera (8 to 32mm, PoE, H.265, warm light)
	Z80-P	4MP LPR Bullet Camera (8 to 32mm, PoE, H.265, warm light)
	Z80-IR-P	4MP LPR Bullet Camera (8 to 32mm, PoE, H.265, IR)
	Z80-IR-P	4MP LPR Bullet Camera (8 to 32mm, PoE, H.265, IR)

Zhejiang Uniview Technologies Co., Ltd.

No. 369, Xietong Road, Xixing Sub-district, Binjiang District, Hangzhou City, 310051, Zhejiang Province, China

Email: overseasbusiness@uniview.com; globalsupport@uniview.com

<http://www.uniview.com>

©2023-2025 Zhejiang Uniview Technologies Co., Ltd. All rights reserved.

*Product specifications and availability are subject to change without notice.

*Despite our best efforts, technical or typographical errors may exist in this document. Uniview cannot be held responsible for any such errors and reserves the right to change the contents of this document without prior notice.