

8MP 41X LightHunter Intelligent Network Positioning System

IPC7628EL-L-X41-VH1



Optical defog	Smart IR	automatic wiper	6kv	Edge Storage	Gyroscope	WDR	Lighthouse
Ultra H.265	ONVIF	Auto tracking	Smart Intrusion Prevention	Multi-target Detection	People Counting	cross line detection	Serial connection of optical and electrical interfaces
IP 66							

Features

- 3840*2160@30fps in the main stream
- Triple streams
- 41X Optical Zoom
- Smart intrusion prevention, Support false alarm filtering: Cross line detection, Intrusion detection, Enter area detection, Leave area detection
- automatic selection of best snapshots, support face detection masked area
- People Counting, Support people flow counting and crowd density monitoring

- Support Optical defog, Self-adaptive defog
- LightHunter technology ensures ultra-high image quality in low illumination environment
- Smart IR, up to 1000m (3281ft) IR distance
- Rain-sensing auto wiper
- Power supply: DC $\pm 48V \pm 25\%$, DC $24V \pm 15\%$ (DC20V~DC60V), AC $24V \pm 25\%$
- Alarm 7 in and 2 out, Audio 1 in and 1 out

Specifications

Model	IPC7628EL-L-X41-VH1
Camera	
Max Resolution	8 MP
Sensor	1/1.8" CMOS
Min. Illumination	Colour: 0.0002Lux (F1.2, AGC ON) 0Lux with IR
Day/Night	IR-cut filter with auto switch (ICR)
Shutter	Auto/Manual, 1 to 1/100000 s
WDR	120 dB
S/N	>56 dB
Lens	
Focal Length	6~246mm
Digital Zoom	16X
Optical Zoom	41X
Iris	F1.2(W)~F4.6(T)
Field of View (H)	57.96°(W)~2.15°(T)
Field of View (V)	34.61°(W)~1.21°(T)
Field of View (D)	75.3°(W)~2.6°(T)
DORI	
DORI Distance (Detect)	155.5m~4829.4m(510.1ft~15844.5ft)
DORI Distance (Observe)	62.2m~1931.8m(204.0ft~6337.8ft)
DORI Distance (Recognize)	31.1m~965.9m(102.0ft~3168.9ft)
DORI Distance (Identify)	15.5m~482.9m(51.0ft~1584.4ft)

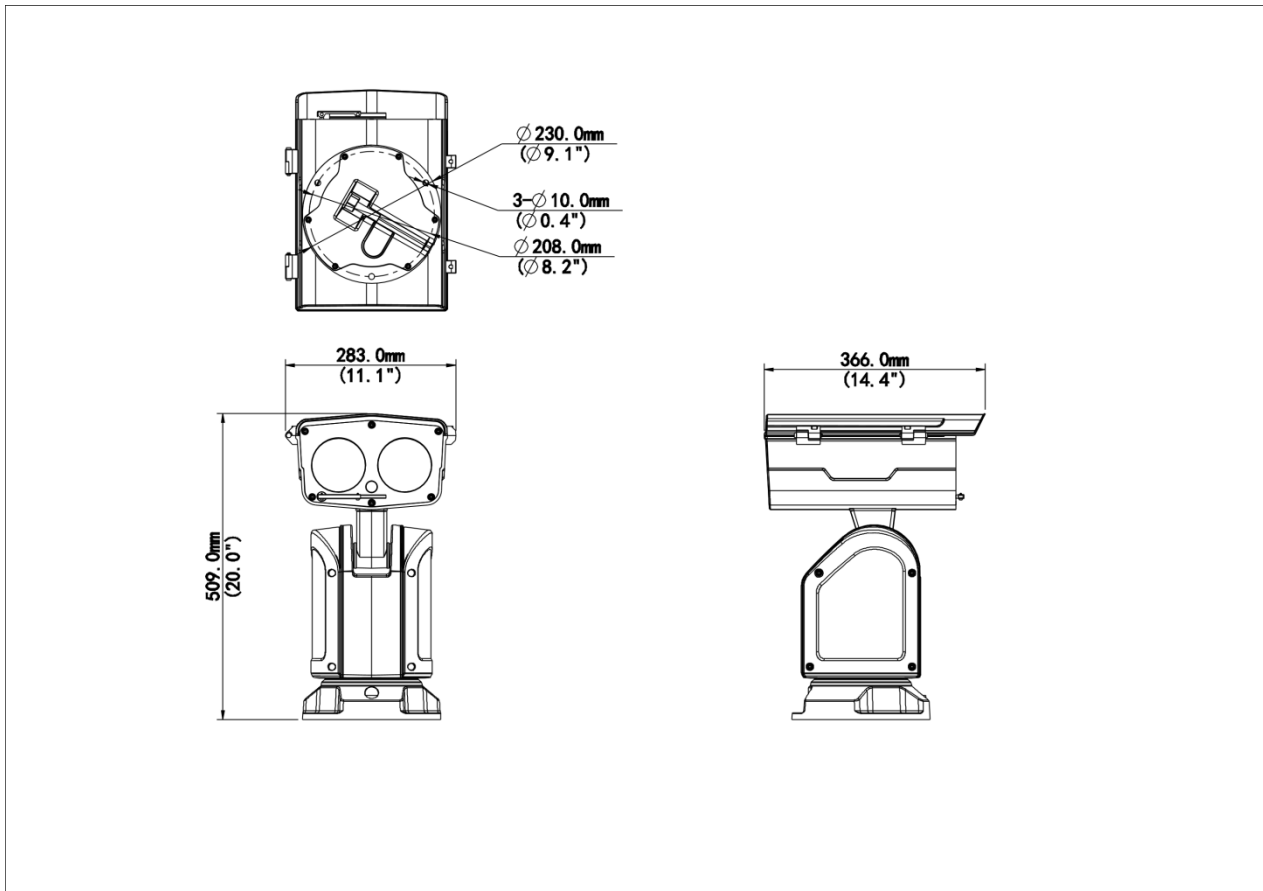
Illuminator	
Illumination Distance (IR)	1000m
IR On/Off Control	Auto/Manual
Wavelength	850 nm
Video	
Privacy Mask	24 areas, up to 8 areas per scene
Video Compression	Ultra 265, H.265, H.264, MJPEG
Frame Rate	Main Stream: 8MP (3840*2160), Max 30fps; Sub Stream: 2MP (1920*1080), Max 30fps; Third Stream: D1 (720*576), Max 30fps;
Video Bit Rate	128Kbps~16384Kbps
U-code	Support
ROI	Support
Video Stream	Triple Streams
OSD	Up to 10 OSDs
Frame Rate Recommendation	8MP@30fps+1080P@30fps+D1@30fps
Intelligent	
People Counting	Support People Flow Counting and Crowd Density Monitoring
Smart Intrusion Prevention	Cross line detection, intrusion detection, enter area detection, leave area detection (support false alarm filtering and the classification of human, non-motor vehicle and vehicle)
Multi-target Detection	Support
Image	
Defog	Support
White Balance	Auto, Outdoor, Fine Tune, Sodium Lamp, Locked, Auto2
Digital Noise Reduction	2D/3D DNR
Flip	Normal, Flip Vertical, Flip Horizontal, 180°
HLC	Support
BLC	Support
Events	
Basic Detection	Motion Detection, Ultra Motion Detection, Tampering Alarm, Audio Detection, Voltage Detection, Object Removed, Object Left Behind

General Function	Watermark, IP Address Filtering, Alarm Input, Alarm Output, Access Policy, ARP Protection, RTSP Authentication, User Authentication, HTTP Authentication
Audio	
Audio Compression	G.711U, G.711A
Audio Bitrate	128 Kbps
Two-way Audio	Support
Suppression	Support
Sampling Rate	16KHZ
Storage	
Edge Storage	Micro SD, up to 512 GB
Network Storage	ANR, NAS (NFS)
PTZ	
Pan Range	360° (endless)
Pan Speed	0.1°/s~140°/s
Tilt Range	+45°~-90°
Tilt Speed	0.1°/s ~ 50°/s
Number of Presets	1024
Route Patrol	16 patrols, up to 32 actions for each patrol
Recorded Patrol	Support
Preset Patrol	16 patrols, up to 64 presets for each patrol
Patrol Stay Time	15 s to 1800 s
Preset Image Freeze	Support
Home Position	Support
Number of Presets (IPC)	1024
3D Location	Support
Number of Patrol	16
Snow Removal Mode	Support
Patrol Recording	Support
Network	
User/Host	Up to 32 users. 3 user levels: administrator,common user and operator

Protocols	IPv4, IGMP, ICMP, ARP, TCP, UDP, DHCP, PPPoE, RTP, RTSP, RTCP, DNS, DDNS, NTP, FTP, UPnP, HTTP, HTTPS, 802.1x, SNMP, QoS, RTMP, SSL/TLS, IPv6
Compatible Integration	ONVIF (Profile S, Profile G, Profile T, Profile M), API, SDK
Security	Password Protection, Strong Password, HTTPS Encryption, Export Operation Logs, Basic and Digest Authentication for RTSP, Digest Authentication for HTTP, TLS 1.2, WSSE and Digest Authentication for ONVIF
Client	EZStation, UNV-Link, UNV-Link Pro
Web Browser	Plug-in required live view: IE 10 and above, Chrome 45 and above, Firefox 52 and above, Edge 79 and above
Interface	
Audio I/O	1 Input: impedance 1 kΩ, amplitude 2.5 V [p-p], 1 Output: impedance 600 Ω, amplitude 2.5 V [p-p]
Alarm I/O	7/2
Serial Port	1 * RS485
Network	1 × RJ45 10 M/100 M/1000 M Base-TX Ethernet + 1 × 100 M/1000 M SFP
Video Output	1 BNC (For debugging)
Certification	
EMC	CE-EMC (EN 55032:2015, EN 50130-4:2011+A1:2014, EN 61000-3-2:2014, EN 61000-3-3:2013) FCC (FCC CFR 47 part15 B, ANSI C63.4-2014)
Safety	CE LVD (EN IEC 62368-1:2020+A11:2020) UL (UL UL 62368-1, 3rd Ed., 2021-10-22)
Environment	CE-ROHS (2011/65/EU; (EU)2015/863)
Protection	IP66 (IEC 60529:1989+AMD1:1999+AMD2:2013)
General	
Power	DC ±48V±25%, DC 24V±15% (DC20V~DC60V), AC 24V±25%
Power Consumption	Max 114W
Power Interface	Wires with cold-pressed terminal
Dimensions	366 x 283 x 509mm (14.4" x 11.1" x 20.0") (L*W*H)
Weight	15.42Kg
Working Environment	-40°C ~ 70°C (-40°F ~ 158°F), Humidity: ≤95% RH (non-condensing)
Storage Environment	-40°C ~ 70°C (-40°F ~ 158°F), Humidity: ≤95% RH (non-condensing)

Surge Protection	6 KV
Reset Button	Support
RTC	Support
Material	Metal
Live View	
Maximum Bitstream	35
Maximum Bandwidth	50 Mbps
Plugin Free	Support
OSD Font	Vector
OSD Color	Support
OSD Character Number	40
3D Privacy Mask	Support
Compliance	
NDAA Compliant	N/A

Dimensions



Accessories

TR-WM08-B

Wall Mounting Bracket for Explosion
-proof Pan-Tilt



Zhejiang Uniview Technologies Co., Ltd.

No. 369, Xietong Road, Xixing Sub-district, Binjiang District, Hangzhou City, 310051, Zhejiang Province, China (Zhejiang) Pilot Free Trade Zone, China

Email: overseasbusiness@uniview.com; globalsupport@uniview.com

<http://www.uniview.com>

©2024-2025 Zhejiang Uniview Technologies Co., Ltd. All rights reserved.

*Product specifications and availability are subject to change without notice.

*Despite our best efforts, technical or typographical errors may exist in this document. Uniview cannot be held responsible for any such errors and reserves the right to change the contents of this document without prior notice.