

5MP LPR Bullet Camera (PoE H.265 IR) PKC2650S-Z28-IR-P



Features

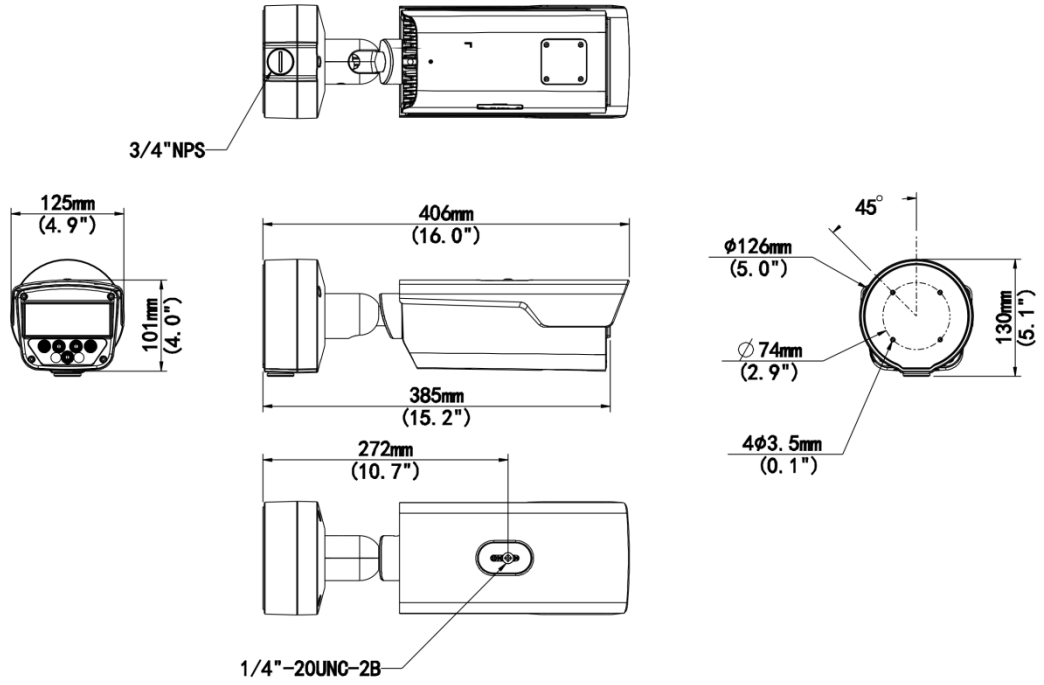
- 1/2.7" progressive scan CMOS.
- Up to 2880 × 1620 resolution with real-time video.
- Supports AI ISP for enhanced image quality.
- Automatic gain control, white balance, and WDR for various light conditions.
- Video frame rate up to 60 fps.
- Built-in vehicle and license plate recognition algorithm can recognize standard license plates of multiple countries.
- Supports plate allowlist and blocklist configuration.
- Supports Micro SD cards of up to 512GB.
- IP67 and IK10 protection.

Specifications

Model	PKC2650S-Z28-IR-P
Camera	
Sensor	1/2.7 inch 5MP CMOS
Focal length	2.8 to 12mm
Shutter	Auto/Manual, range: 1/25 to 1/100000s
Minimum illumination	0.001lux (F1.6)
FOV	Horizontal FOV: 107.6° to 57.8°, Vertical FOV: 57.8° to 21.3°, Diagonal FOV: 128.3° to 42.9°
WDR	120 dB
Image	
Image collection format	2880*1620@30(default), 2880*1620@25, 1920*1080@60,1920*1080@50
Frame rate	60, 50, 30, 25, 22, 20, 18, 16, 15, 12.5, 10, 8, 6, 5, 4, 3, 2, 1
Video compression	H.264 (default), H.265
ROI	Supports up to 8 regions
Video OSD	Supports 8 overlay areas and allows contents including date, time, date&time, zoom ratio, custom contents
Image OSD	Supports 8 overlay areas and allows contents including time, license plate number, device ID, camera ID, allowlist, image authentication ID, custom contents (3 items), location
Display Parameters	
Resolution	Main stream: 2880*1620, 1080P, 720P, D1; Sub stream: 720P (default), D1, 2CIF, CIF; Third stream: D1 (default), 2CIF, CIF
Smart	
Vehicle detection mode	Supports video detection
License plate number recognition	Supports recognition of license plates with numbers and letters by default
List configuration	Supports allowlist and blocklist configuration, each list allows 10,000 items Supports import, export, add, and delete operations
Barrier opening policy	Open barrier only for the recognized vehicles Open barrier for all vehicles Open barrier only for vehicles on the allowlist Open barrier for vehicles not on the blocklist Configurable Boolean output ID
Storage	
Edge storage	Supports ANR with a Micro SD card, up to 512GB
Structure	
Illumination	Built-in integrated illumination module, including 4 IR LEDs, 50m illumination distance, automatic on/off control
Bracket	3-axis mounting bracket
Junction box	The camera comes with a junction box for storing tail cable
Network	

Protocols	IGMP,IPv6,ICMP,ARP,TCP,UDP,DHCP,PPPoE,RTSP,DNS,DDNS,NTP,UPnP,HTTP,HTTPS,802.1x,SNMP,QoS,SSL/TLS,SSH,IPv4
Compatible Integration	ONVIF (Profile S, Profile G, Profile T),SDK,API
Interface	
Network interface	1×10M/100M RJ45
Serial port	1 × RS485
Boolean output	1 x output
Boolean input	1 x input
Audio interface	1 × audio input, 1 × audio output
Storage interface	1 × Micro SD card slot
Reset button	Support
General	
Weight	1.42kg
Ingress protection	IP67, IK10
Power supply	DC12V + 25% - 10% Max. Supports PoE (802.3at, class 4)
Dimensions (L×W×H)	262mm*125mm*101mm
Operating environment	-40°C to 60°C, ≤90% RH
Heater	N/A
Compliance	
NDAA Compliant	Support
Certification	
EMC	CE-EMC (EN 55032:2015+A11:2020+A1:2020,EN 61000-3-3:2013+A1:2019+A2:2021,EN IEC 61000-3-2:2019+A1:2021, EN 50130-4:2011+A1:2014) FCC(FCC CFR 47 part15 B,ANSI C63.4 2014)
Safety	EN IEC 62368-1:2020+A11:2020 UL (UL 62368-1, 2nd Ed., Issue Date: 2014-12-01)
Environment	CE-RoHS (2011/65/EU;(EU)2015/863);WEEE (2012/19/EU)
Protection	IP67(IEC60529:1989+AMD1:1999+AMD2:2013) IK10(IEC 62262:2002+AMD1:2021)

Dimensions



Unlimited New View

Zhejiang Uniview Technologies Co., Ltd.

 <http://www.uniview.com>

 overseasbusiness@uniview.com; globalsupport@uniview.com

 No. 369, Xietong Road, Xixing Sub-district, Binjiang District, Hangzhou City, 310051, Zhejiang Province, China



©2023-2025 Zhejiang Uniview Technologies Co., Ltd. All rights reserved.

*Product specifications and availability are subject to change without notice.

Despite our best efforts, technical or typographical errors may exist in this document. Uniview cannot be held responsible for any such errors and reserves the right to change the contents of this document without prior notice.