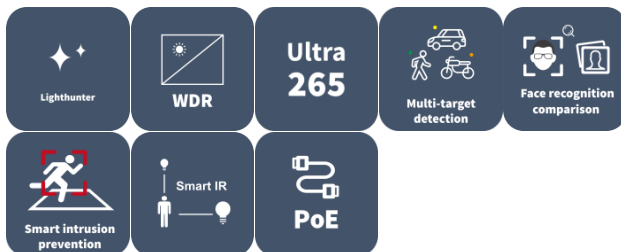


4MP LightHunter WDR Network Bullet Camera IPC264EA



Features

- High quality image with 4 MP, 1/1.8" CMOS sensor
- 2688 × 1520@60 fps in the main stream, offering smoother live video and more details
- Ultra 265, H.265, H.264, MJPEG
- Wise-ISP technology, comprehensive improvement in image quality
- Metadata analysis, supports human body, motor vehicle and non-motor vehicle image capture and attribute collection, realizes data visualization management, allows users to get target information for further data analysis
- supports front-end comparison, supports blacklist and allowlist comparison, increases the concurrent detection number up to 120
- Smart intrusion prevention, supports false alarm filtering, including cross line, intrusion, enter area, leave area detection
- People counting, supports people flow counting and crowd density monitoring, suitable for different statistical scenarios
- LightHunter technology ensures ultra high image quality in low illumination environment
- Up to 140 dB optical WDR (wide dynamic range)
- DC 12 V, PoE (IEEE 802.3at) power supply
- Wide voltage range of $\pm 25\%$ in DC

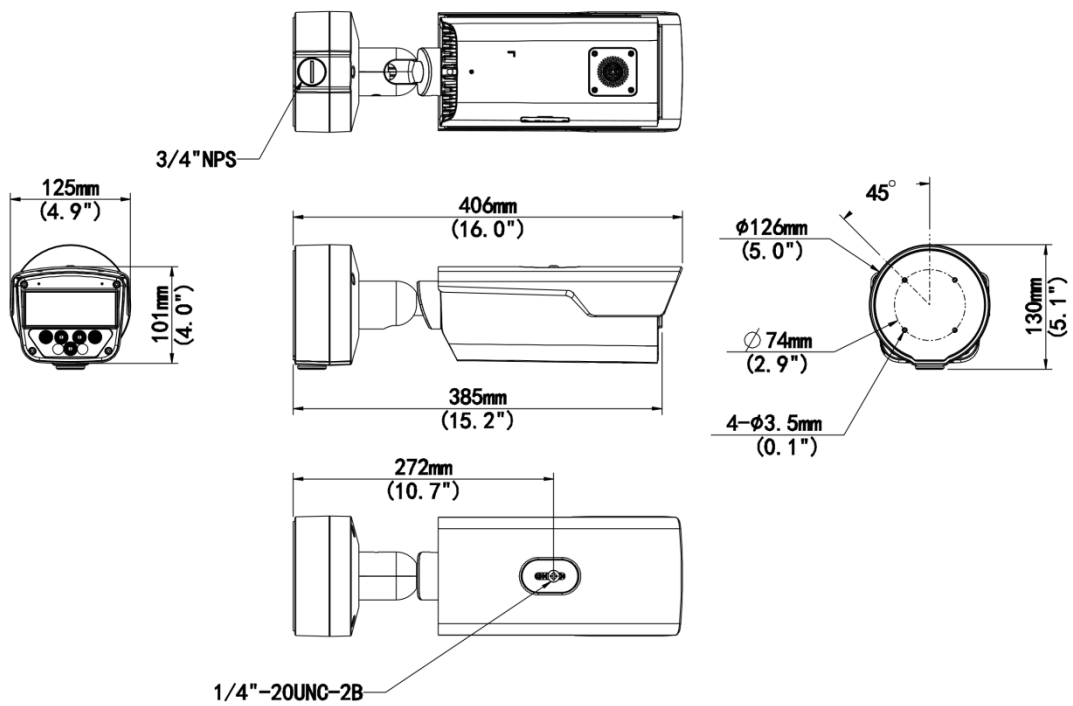
Specifications

| Model | IPC264EA-AHDZK-I1 | IPC264EA-AHDX4K-I1 |
|----------------------------|--------------------------------------------------------------------------------------------------------------------------------------------------------------------------------------|--------------------------------------------------------------------------------|
| Camera | | |
| Sensor | 1/1.8" CMOS | |
| Min. Illumination | Color: 0.0003 Lux (F1.2, AGC ON), BW: 0.0001 Lux (F1.2, AGC ON), 0 Lux with IR | Color: 0.0005 Lux (F1.6, AGC ON), BW: 0.0003 Lux (F1.6, AGC ON), 0 Lux with IR |
| Day/Night | IR-cut filter with auto switch (ICR) | |
| Shutter | Auto/Manual, 1 to 1/100000 s | |
| WDR | 140 dB | |
| S/N | >56 dB | |
| Lens | | |
| Focal Length | 2.8 to 12 mm | 8 to 32 mm |
| Optical Zoom | 4X | |
| Iris | F1.2 | F1.6 |
| Field of View (H) | 106.6° to 51.3° | 42.6° to 15.2° |
| Field of View (V) | 56.9° to 28.6° | 23.5° to 8.9° |
| Field of View (D) | 131.1° to 63.1° | 52.4° to 17.9° |
| Iris Type | P-iris | |
| DORI | | |
| DORI Distance (Detect) | 68.0 m to 166.2 m (223.0 ft. to 545.2 ft.) | 124.1 m to 496.6 m (407.3 ft. to 1629.1 ft.) |
| DORI Distance (Observe) | 27.2 m to 66.5 m (89.2 ft. to 218.1 ft.) | 49.7 m to 198.6 m (163.1 ft. to 651.6 ft.) |
| DORI Distance (Recognize) | 13.6 m to 33.2 m (44.6 ft. to 109.0 ft.) | 24.8 m to 99.3 m (81.4 ft. to 325.8 ft.) |
| DORI Distance (Identify) | 6.8 m to 16.6 m (22.3 ft. to 54.5 ft.) | 12.4 m to 49.7 m (40.7 ft. to 162.9 ft.) |
| Video | | |
| Video Compression | Ultra 265, H.265, H.264, MJPEG | |
| Video Bit Rate | 128 Kbps to 16 Mbps | |
| ROI | Support | |
| Video Stream | Triple streams | |
| Privacy Mask | Up to 8 areas (8 blacks / 8 mosaics) | |
| OSD | Up to 10 OSDs | |
| Frame Rate-Main Stream | 4 MP (2688 × 1520), max. 60 fps | |
| Frame Rate-Sub Stream | 1080P (1920 × 1080), max. 60 fps | |
| Frame Rate-Third Stream | D1 (720 × 576), max. 60 fps | |
| Frame Rate Recommendation | 2688 × 1520@60 fps + 1080P@60 fps + D1@60 fps | |
| Intelligent | | |
| Recognition | Face recognition: Max support 16 face libraries; Max supports 100000 faces in face library | |
| Metadata Analyse | Support human body, human face, motor vehicle and non-motor vehicle image capture and attribute collection | |
| Exception Detection | Object removed Object Left Behind Scene change Defocus detection | Object removed Object Left Behind |
| Smart Intrusion Prevention | Cross line detection, intrusion detection, enter area detection, leave area detection (support false alarm filtering and the classification of human, non-motor vehicle and vehicle) | |

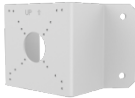

| | | |
|----------------------------|-----------------------------------------------------------------------------------------------------------------------------------------------------------------------------------------------------|------------------------------------------------------------------------------------|
| People Counting | Support people flow counting and crowd density detection | |
| Image | | |
| White Balance | Auto&Outdoor&Fine Tune&Sodium Lamp&Locked&Auto2 | |
| Digital Noise Reduction | 2D/3D DNR | |
| Flip | Normal&Flip Vertical&Flip Horizontal&180°&90°Clockwise&90°Anti-clockwise | |
| HLC | Support | |
| Smart IR | Support | |
| Defog | Digital defog | |
| Events | | |
| Basic Detection | Motion detection Tampering alarm Audio detection Object removed Object Left Behind Scene change Defocus detection | Motion detection Tampering alarm Audio detection Object removed Object Left Behind |
| General Function | Watermark&IP Address Filtering&Access Policy&ARP Protection&RTSP Authentication&User Authentication&HTTP authentication&Alarm input&Alarm output | |
| Audio | | |
| Audio Compression | G.711U&G.711A | |
| Audio Bitrate | 128 Kbps | |
| Sampling Rate | 16KHZ | |
| Storage | | |
| Edge Storage | MicroSD, up to 512 GB | |
| Network Storage | ANR&NAS(NFS) | |
| Network | | |
| Protocols | IGMP, RTP, SMTP, IPv4, IPv6, ICMP, ARP, TCP, UDP, DHCP, PPPoE, RTSP, RTCP, RTMP, DNS, DDNS, NTP, FTP, UPnP, HTTP, HTTPS, 802.1x, SNMP, QoS, SSL/TLS, SSH, TLS1.3 | |
| Compatible Integration | API, SDK, ONVIF (Profile S, Profile G, Profile T, Profile M) | |
| User/Host | Up to 32 users. 3 user levels: administrator, common user and operator | |
| Security | Password protection&Strong password&HTTPS encryption&Export operation logs&Basic and digest authentication for RTSP&Digest authentication for HTTP&TLS 1.2&WSSE and digest authentication for ONVIF | |
| Client | EZStation, UNV-Link, UNV-Link Pro | |
| Web Browser | Plug-in required live view: IE 10 and above, Chrome 45 and above, Firefox 52 and above, Edge 79 and above&Plug-in free live view: Chrome 57.0 and above, Firefox 58.0 and above, Edge 16 and above | |
| Illuminator | | |
| Illumination Distance (IR) | 100 m (328.1 ft.) | |
| IR On/Off Control | Auto/Manual | |
| Wavelength | 850 nm | |
| Interface | | |
| Audio I/O | 2 Input: impedance 1 kΩ, amplitude 2.5 V [p-p], 1 Output: impedance 600 Ω, amplitude 2.5 V [p-p] | |
| Alarm I/O | 3/2 | |
| Serial Port | 1 × RS485 | |
| Built-in Mic | Support, built-in mic*2 | |
| Built-in Speaker | Support | |

| | | |
|----------------------|-------------------------------------------------------------------------------------------------------------------------------------------------------------------|--------------------|
| Network | 1 × RJ45 10 M/100 M/1000 M Base-TX Ethernet | |
| Certification | | |
| EMC | CE-EMC (EN 55032: 2015+A1:2020,EN 61000-3-3: 2013+A1: 2019,EN IEC 61000-3-2: 2019+A1: 2021,EN 55035: 2017+A11:2020) FCC (FCC CFR 47 part15 B, ANSI C63.4-2014) | |
| Safety | CE LVD (EN 62368-1:2014+A11:2017) UL (UL 62368-1, 2nd Ed., Issue Date: 2014-12-01) | |
| Environment | CE-RoHS (2011/65/EU;(EU)2015/863); WEEE (2012/19/EU); Reach (Regulation (EC) No 1907/2006) | |
| Protection | IP67 (IEC 60529:1989+AMD1:1999+AMD2:2013) IK10 (IEC 62262:2002) | |
| General | | |
| Power | DC 12 V (±25%), PoE+ (IEEE 802.3at) | |
| Power Consumption | 16 W | 19 W |
| Power Interface | Ø5.5 mm coaxial power plug | |
| Dimensions | 406 mm × 126 mm × 130 mm (16.0" × 5.0" × 5.1") (L × W × H) | |
| Weight | 1.92 kg (4.23 lb.) | 1.86 kg (4.10 lb.) |
| Working Environment | -40 °C to 60 °C (-40 °F to 140 °F), Humidity: ≤ 95% RH (non-condensing) | |
| Surge Protection | 6 KV | |
| Reset Button | Support | |
| Heater | Support | |
| Configurable | | |
| P/N | Support | |

Dimensions



Accessories

| <p>TR-UC08-C Bullet&Dome Corner Mounting Bracket</p> | <p>TR-UP06-C-IN-V2 Pole Mounting Bracket for Bullet Junction Box Only</p> | |
|-------------------------------------------------------------------------------------|------------------------------------------------------------------------------------------|--|
|  |  | |

Unlimited New View

Zhejiang Uniview Technologies Co., Ltd.



<http://www.uniview.com>



overseasbusiness@uniview.com; globalsupport@uniview.com



No. 369, Xietong Road, Xixing Sub-district, Binjiang District, Hangzhou City, 310051, Zhejiang Province, China



©2023-2025 Zhejiang Uniview Technologies Co., Ltd. All rights reserved.

*Product specifications and availability are subject to change without notice.

Despite our best efforts, technical or typographical errors may exist in this document. Uniview cannot be held responsible for any such errors and reserves the right to change the contents of this document without prior notice.