

9MP Checkpoint Camera Unit HC191



Features

- 9MP industrial camera with wide field of view.
- Built in lens supports motorized zoom to adapt to different scenes and allows for easy installation.
- Excellent performance in low light environments.
- Ample space in the housing, easier operation.
- Advanced H.265 encoding technology improves compression efficiency.
- Three streams are available for live view and storage to meet different bandwidth and frame rate requirements.
- Supports speeding detection.
- Vehicle feature recognition: license plate, vehicle color, vehicle type, logo, model, etc. .

Specifications

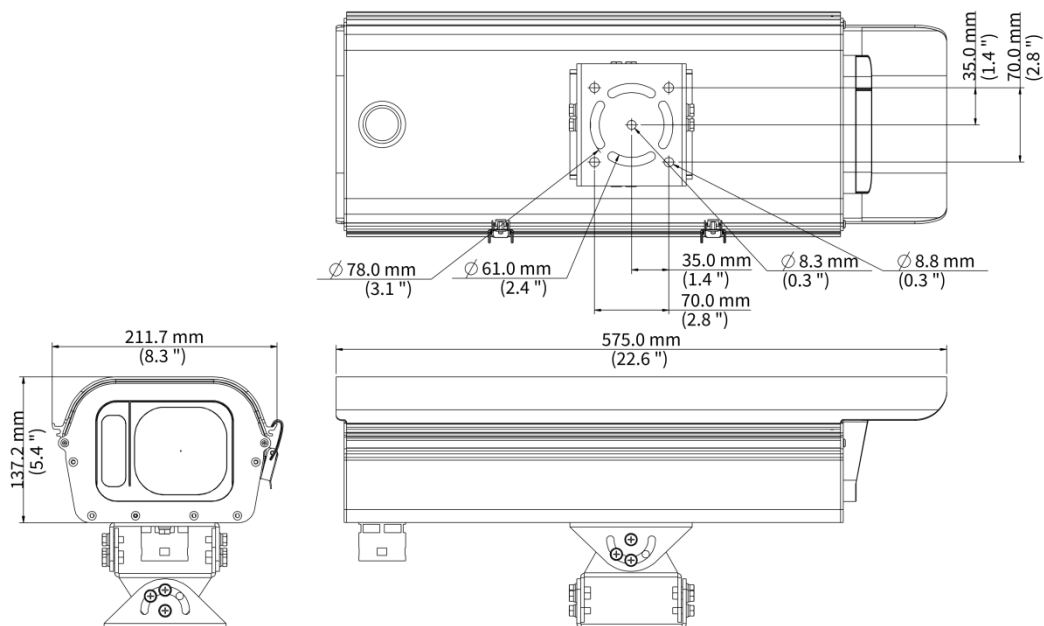
Model	HC191-GJN-1640-OS
Camera	
Sensor	1.1" 9MP Global Shutter CMOS
Max. Resolution	4096 × 2160
Min. Illumination	0.001 Lux
Shutter Time	50 us to 20000 us
Day/Night	24/7 color imaging
Lens	
Lens Type	Motorized varifocal lens, 16-40 mm (built-in)
Max. Aperture	F1.5
Iris Type	P-iris

Field of View(H)	50.1° to 21.2°
Field of View (V)	34.4° to 14.7°
Field of View (D)	60.3° to 25.3°
Focus	Motorized
Zoom	Motorized
Illuminato	
Built-in Illuminator Type	Warm light
Light Beads	3
Built-in Illumination Range	Up to 30 m
External Illuminator	Strobe and flash light
Video	
Video Compression	H.265, H.264, MJPEG
Video Resolution	Main stream: 4096×2160, 1920×1080, 1600×1200, 1280×720 Sub stream: 1920×1080, 1280×720, 720×576, 704×288, 352×288 Third stream: 720×576, 704×288, 352×288
Video Frame Rate	4096×2160@50 fps 3840×2336@50 fps
Video Bit Rate	128-16384 Kbps
Video OSD	Up to 8 OSDs
ROI	Up to 8 ROIs
Image	
Composite Image	Supports merging up to 4 violation images into a single composite image
Image Resolution	4096 × 2160
Image Encoding Format	JPEG
Image Settings	Shutter, gain, white balance
Digital Noise Reduction	2DNR/3DNR
Image OSD	Supports various overlays with adjustable overlay position, overlay order, font size, font style, font color, etc.
Intelligent	
Lane Coverage	Up to 3 lanes (depends on lens type)
Vehicle Detection Mode	Radar (external radar) , video
Target Detection	Motor vehicle, motorcycle
ANPR	Supports plate recognition Support speed measurement Supports vehicle attributes: vehicle type, vehicle color, vehicle brand, plate color (customization) Supports speeding detection (external radar required)
Speed Capture Range	5 km/h–300 km/h (external radar required)
Vehicle Type Recognition	10 types: Car/Van/Large Bus/Medium Bus/Heavy Truck/Light Truck/SUV/MPV/Pickup/Motorcycle
Vehicle Color Recognition	12 colors: Red, Yellow, green, blue, purple, pink, brown, white, Grey, black, silver, orange Not available during nighttime
Vehicle Manufacturer Recognition	133 Manufacturers: Audi, ALFA ROMEO, AION, ANKAI, ACURA, Aston Martin, ARCFox, BYD, BUICK, BENTLEY, BMW, BAIC MOTOR, BUGATTI, BORGWARD, Beiben Truck, Besturn, CHANGAN, Citroën, Cadillac, CHERY, CHRYSLER, Chevrolet, CHTC, DONGFENG, DACIA, Daihatsu, DATSUN, DODGE, DS,

	DAEWOO, Dongnan, EXEED, FAW, Ford, FORLAND, Ferrari, FIAT, Foton, GEEL, GAC, GREAT WALL, GMC, Geometry, HONDA, HYUNDAI, HIGER, Hino, Hong Qi, Hava, Haima, INFINITI, Isuzu, IVECO, IM, JAC, JEEP, JAGUAR, JOYLONG, JMC, JETTA, JETOUR, KIA, Karry, King Long, KMULLER, LYNK&CO, LINCOLN, LEXUS, LOTUS, LANDWIND, LANDROVER, LAMBORGHINI, LIFAN, LEVC, LUXGEN, LEOPARD, LADA, LUMMA, LI AUTO, LEAPMOTOR, Mercedes-Benz, MINI, MAZDA, McLaren, MASERATI, MAN, MG, MITSUBISHI, MAXUS, MORGAN, MUSTANG, MODERN AUTO, NISSAN, NIO, OPEL, ORA, OUSHANG, PEUGEOT, PORSCHE, Polestar, QOROS, Roewe, ROLLS ROYCE, RENAULT, SINOTRUK, SXACT, SKODA, SSANGYONG, SMART, SUZUKI, SUBARU, SAAB, SCANIA, SEAT, SWM, SANY, SILVER, SKYWORTH, TOYOTA, TESLA, TANK, Volkswagen, VOLVO, VOYAH, Wuling, WEY, XCMG, Xiaopeng Motors, XINYUAN, YUTONG, ZHONGTONG, ZOTYE, ZEEKER, ZHONGHUA, ZHINUO
License Plate Color Recognition	Supports customization
Violation Capture	Captures speeding vehicles (external radar required)
LPR Countries/Regions	Countries/regions where license plates consist of English letters and numbers; supports customization for other countries
Smart-PL	Built-in
Storage	
Edge Storage	8GB eMMC, supports expansion to 256 GB micro SD (TF) card
Automatic Network Replenishment (ANR)	Support, available when used with a Uniview NVR
Network	
Protocols	SSH; RTP; RTCP; IPv4; ARP; TCP; UDP; DHCP; RTSP; RTMP; DNS; DDNS; NTP; FTP; UPnP; HTTP; HTTPS; 802.1x; SNMP; LAPI
Compatible Integration	ONVIF; SDK
User/Host	Up to 32 users; 3 user levels: administrator, common user, and operator
Security	TLS1.3; Password protection; Strong password; HTTPS encryption; Export operation logs; Basic and digest authentication for RTSP; Digest authentication for HTTP; TLS 1.2; WSSE and digest authentication for ONVIF
Web Browser	IE 10 or higher, Chrome 45.0 or higher, FireFox 52.0 or higher, Edge 79 or higher
Interface	
I/O control	4 × synchronous signal output interface (switch) 4 × synchronous signal output interface (TTL) or 4 × signal input interface (switch) 1 × standard relay interface 3 × RS485, 1 × RS232
Network	2 × RJ45 10M/100M/1000M Base T adaptive Ethernet interface
USB	1 USB 3.0 interface
Reset Button	Support
General	
Power Supply	100-240 V AC (50 Hz/60 Hz)
Power Consumption	≤ 16 W
Dimensions	211.7mm (W) ×137.2mm (H)×575mm (D)
Weight	Approx. 5.67 kg
Operating Environment	- 40°C to 70°C, 10% to 90% RH (non-condensing)

Lightning and Surge Protection	Support, ≤ 6KV
Ingress Protection	IP65
Material	Aluminum alloy
Heater	N/A
Fan	Support

Dimensions



Accessories

TR-UP0627

Universal Pole Mounting Bracket(Elegant White,Diameter100-300mm,Domestic Version),Universal Type



Ordering Info

Product Model	Description
HC191-GJN-1640-OS	9MP Checkpoint Camera Unit

Zhejiang Uniview Technologies Co., Ltd.

-  <http://www.uniview.com>
-  overseasbusiness@uniview.com; globalsupport@uniview.com
-  No. 369, Xietong Road, Xixing Sub-district, Binjiang District, Hangzhou City, 310051, Zhejiang Province, China



©2023-2025 Zhejiang Uniview Technologies Co., Ltd. All rights reserved.

*Product specifications and availability are subject to change without notice.

*Despite our best efforts, technical or typographical errors may exist in this document.

Uniview cannot be held responsible for any such errors and reserves the right to change the contents of this document without prior notice.