

# 4MP 42X LightHunter Laser Wiper Network PT Z Camera

IPC6824EL-X42-W-VH1



## Features

- 2688 x 1520 @ 60 fps in the main stream
- 42X optical zoom
- Smart intrusion prevention, support false alarm filtering, include Cross Line, Intrusion, Enter Area, Leave Area detection
- face detection, support front-end face detection, support blocklist and allowlist comparison
- People counting, support people flow counting and crowd density monitoring
- Multi-target detection, support human body, , motor vehicle and non-motor vehicle image capture and attribute collection, realize data visualization management, allow users to get target information for further data analysis
- Support optical defog, Self-adaptive defog
- Lighthunter technology ensures ultra-high image quality in low illumination environment
- IR illumination: 500 m (1640 ft) distance, proportional to optical zoom of camera module
- Gyroscope stabilization for stable picture

- Support wiper
- Power supply: AC24V ± 25%, DC24V ± 25%, PoE
- Alarm 7 in and 2 out, Audio 1 in and 1 out
- IP67 ingress protection

## Specifications

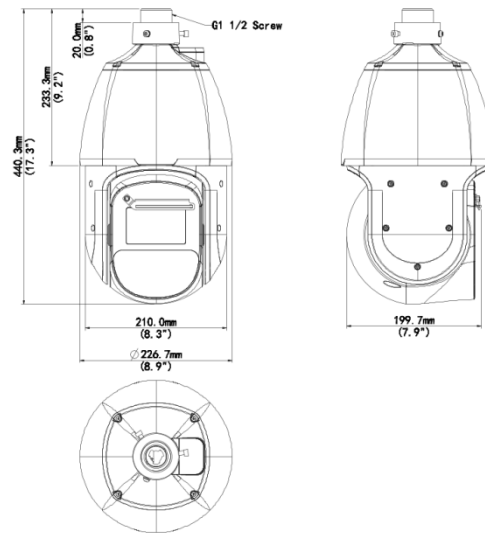
Camera	Description
Sensor	1/1.8" CMOS
Min. Illumination	Colour: 0.0003 Lux (F1.2, AGC ON) 0 Lux with IR
Day/Night	IR-cut filter with auto switch (ICR)
Shutter	Auto/Manual, 1 ~ 1/100000s
WDR	120dB
S/N	>56dB
Lens	Description
Focal Length	6.0~252mm
Digital Zoom	16X
Optical Zoom	42X
Iris	F1.2 ~ F4.6
Field of View (H)	59.47° ~ 2.20°
Field of View (V)	35.62° ~ 1.24°
Field of View (D)	73.15° ~ 2.60°
DORI	Description
DORI Distance (Detect)	107.2 m ~ 3330.6 m (351.8 ft ~ 10927.2 ft)
DORI Distance (Observe)	42.9 m ~ 1332.2 m (140.7 ft ~ 4370.9 ft)
DORI Distance (Recognize)	21.4 m ~ 666.1 m (70.4 ft ~ 2185.4 ft)
DORI Distance (Identify)	10.7 m ~ 333.1 m (35.2 ft ~ 1092.7 ft)
Illuminator	Description
Illumination Distance (IR)	500m
IR On/Off Control	Auto/Manual

Wavelength	850 nm
<b>Video</b>	<b>Description</b>
Video Compression	Ultra 265; H.265; H.264; MJPEG
Frame Rate	Main Stream: 4MP (2688*1520), Max 60fps Sub Stream: 2MP (1920*1080), Max 60fps Third Stream: D1 (720*576), Max 60fps
Video Bit Rate	128 Kbps ~ 16 Mbps
Privacy Mask	24 areas, up to 8 areas per scene
U-code	Support
ROI	Support
Video Stream	Triple Streams
OSD	Up to 10 OSDs
<b>Image</b>	<b>Description</b>
EIS	Support
Defog	Digital Defog; Optical Defog
White Balance	Auto; Outdoor; Fine Tune; Sodium Lamp; Locked; Auto2
Digital Noise Reduction	2D/3D DNR
Flip	Normal; Flip Vertical; Flip Horizontal; 180°
HLC	Support
BLC	Support
<b>Intelligent</b>	<b>Description</b>
Smart Intrusion Prevention	Cross line detection, Intrusion detection, Enter area detection, Leave area detection (support false alarm filtering and the classification of human, non-motor vehicle and vehicle)
Auto Tracking	Support, target filtering: human, non-motor vehicle and vehicle
face detection	Support
Multi-target Detection	Support
People Counting	Support People Flow Counting and Crowd Density Monitoring
<b>Events</b>	<b>Description</b>
Basic Detection	Motion Detection; Ultra Motion Detection; Tampering Alarm; Audio Detection; Object Removed; Object Left Behind
General Function	Watermark; IP Address Filtering; Access Policy; ARP Protection; RTSP Authentication; User Authentication; Alarm Input; Alarm Output

Audio	Description
Audio Compression	G.711U; G.711A
Audio Bitrate	128 Kbps
Two-way Audio	Support
Suppression	Support
Sampling Rate	16 KHz
Storage	Description
Edge Storage	Micro SD, up to 512 GB
Network Storage	ANR; NAS (NFS)
PTZ	Description
Pan Range	360° (endless)
Pan Speed	0.1°/s ~ 180°/s
Tilt Range	- 15° ~ 90° (auto flip)
Tilt Speed	0.1°/s ~ 180°/s
Route Patrol	16 patrols, up to 32 actions for each patrol
Number of Presets	1024
Recorded Patrol	16 patrols, up to 128 actions for each patrol
Preset Patrol	16 patrols, up to 64 presets for each patrol
Patrol Stay Time	15s ~ 1800s
Preset Image Freeze	Support
Home Position	Support
Network	Description
Protocols	SSH; IGMP; RTP; RTCP; SMTP; IPv4; IPv6; ICMP; ARP; TCP; UDP; DHCP; PPPoE; RTSP; RTMP; DNS; DDNS; NTP; FTP; UPnP; HTTP; HTTPS; 802.1x; SNMP; QoS; SSL/TLS
Compatible Integration	ONVIF (Profile S, Profile G, Profile T, Profile M); API; SDK
User/Host	Up to 32 users. 3 user levels: administrator, common user and operator
Security	Password Protection; Strong Password; HTTPS Encryption; Export Operation Logs; Basic and Digest Authentication for RTSP; Digest Authentication for HTTP; TLS 1.2; TLS1.3; WSSE and Digest Authentication for ONVIF
Client	EZStation; UNV-Link; UNV-Link Pro
Web Browser	Plug-in required live view: IE 10 and above, Chrome 45 and above, Firefox 52 and above,

	Edge 79 and above; Plug-in free live view: Chrome 57.0 and above, Firefox 58.0 and above, Edge 16 and above
<b>Interface</b>	<b>Description</b>
Audio I/O	1 Input: impedance 1k $\Omega$ ; amplitude 2.5V [p-p]; 1 Output: impedance 600 $\Omega$ ; amplitude 2.5V [p-p]
Alarm I/O	7/2
Serial Port	1 * RS485
Network	1 x RJ45 10M/100M Base-TX Ethernet
Video Output	1 BNC (For debugging)
<b>Certification</b>	<b>Description</b>
EMC	CE-EMC (EN 55032: 2015+ A11: 2020; EN IEC 61000-3-2: 2019; EN 61000-3-3: 2013+ A: 2019; EN 55035: 2017+ A11: 2020)
Safety	CE LVD (EN IEC 62368-1: 2020+ A11: 2020)
Environment	CE-ROHS (2011/65/EU;(EU)2015/863)
Protection	IP67 (IEC 60529:1989+AMD1:1999+AMD2:2013)
<b>General</b>	<b>Description</b>
Power	AC24V $\pm$ 25%, DC24V $\pm$ 25%, PoE (IEEE802.3bt)
Power Consumption	Max 67 W
Power Interface	Wires with cold-pressed terminal
Dimensions	$\varnothing$ 226.7 x 440.3 mm ( $\varnothing$ 8.93" x 17.33") ( $\varnothing$ x H)
Weight	6.9 kg (15.21 lb)
Working Environment	-40 $^{\circ}$ C ~ 70 $^{\circ}$ C (-40 $^{\circ}$ F ~ 158 $^{\circ}$ F), Humidity: $\leq$ 95% RH (non-condensing)
Storage Environment	-40 $^{\circ}$ C ~ 70 $^{\circ}$ C (-40 $^{\circ}$ F ~ 158 $^{\circ}$ F), Humidity: $\leq$ 95% RH (non-condensing)
Surge Protection	6KV
Reset Button	Support

## Dimensions



**Zhejiang Uniview Technologies Co., Ltd.**

No. 369, Xietong Road, Xixing Sub-district, Binjiang District, Hangzhou City, 310051, Zhejiang Province, China (Zhejiang) Pilot Free Trade Zone, China

Email: [overseasbusiness@uniview.com](mailto:overseasbusiness@uniview.com); [globalsupport@uniview.com](mailto:globalsupport@uniview.com)

<http://www.uniview.com>

©2024 Zhejiang Uniview Technologies Co., Ltd. All rights reserved.

\*Product specifications and availability are subject to change without notice.

\*Despite our best efforts, technical or typographical errors may exist in this document. Uniview cannot be held responsible for any such errors and reserves the right to change the contents of this document without prior notice.