

4MP Wi Fi Cube Camera

Uho-C1-M4F2D



Features

- High quality image with 4MP, 1/3.0" CMOS sensor
- Built in Mic & Speaker, support two way audio, offer better interaction
- IR & warm light illumination to deal with different scenes and achieve full color illumination
- Supports 512 GB Micro SD card
- Support TicOn connection
- Support Wi-Fi6 for fast and stable wireless connectivity
- Magnetic base for easy installation and flexible positioning
- Support human detection, vehicle detection, pet detection
- Support Crying detection and High-Decibel detection

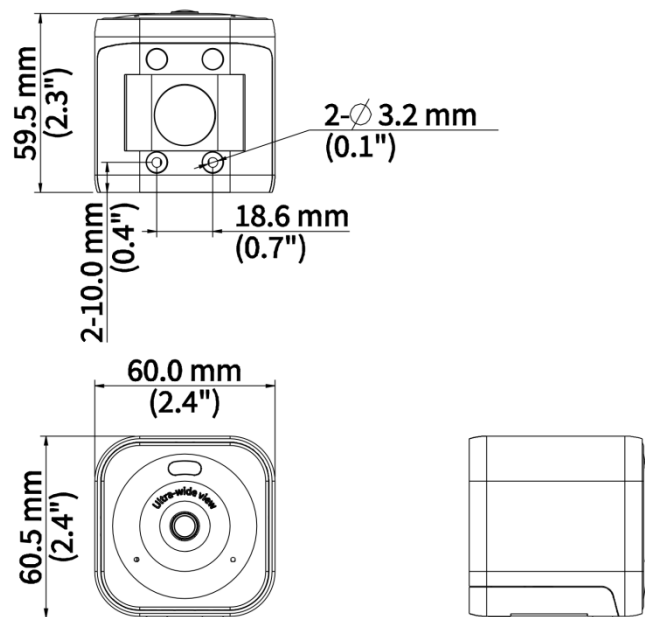
Specifications

Model	Uho-C1-M4F2D
Camera	
Max Resolution	4 MP
Sensor	1/3.0" CMOS
Min. Illumination	Colour: 0.003 lux (F2.0 AGC ON) 0 lux with IR on
Day/Night	IR-cut filter with auto switch (ICR)
Shutter	Auto/Manual, 1 to 1/100000 s
Lens	
Iris Type	Fixed
Iris	F2.0
Field of View (H)	132.2°
Field of View (V)	71.5°
Field of View (D)	157.7°
Lens Type	Fixed
DORI	
DORI Distance (Lens)	2.1mm
DORI Distance (Detect)	47.3 m (155.0 ft)
DORI Distance (Observe)	18.9 m (62.0 ft)
DORI Distance (Recognize)	9.5 m (31.0 ft)
DORI Distance (Identify)	4.7 m (15.5 ft)
Illuminator	
Supplemental Light	Dual light
Illumination Distance (IR)	10 m (32.8 ft.)
Wavelength	850 nm
IR On/Off Control	Auto/Manual
Video	
Video Compression	H.265, H.264
Frame Rate	Main Stream: 2560*1440@15fps ; Sub Stream: 640*360@15fps;
U-code	Support
OSD	Up to 1 OSD
ROI	N/A
Video Stream	Dual streams
Image	
Smart IR	Support
Flip	Normal, Flip vertical, Flip horizontal, 180°
Events	
Basic Detection	Crying detection, High-Decibel detection, Ultra motion detection (human/ vehicle/ pet detection)
Interface	

Video Output	N/A
Built-in Mic	Support
Built-in Speaker	Support
WIFI	Support
Network	N/A
Audio	
Audio Compression	G.711U
Audio Bitrate	64 Kbps
Two-way Audio	Support
Suppression	Support
Sampling Rate	8 kHz
Storage	
Edge Storage	MicroSD, up to 512 GB
Network	
Wi-Fi	2.4G Wi-Fi (IEEE802.11b/g/n/ax), built-in antenna
Compatible Integration	API
Client	APP
Wi-Fi	
Wireless Standards	IEEE802.11b/g/n/ax
Frequency Range	2.4 GHz to 2.4835 GHz
Channel Bandwidth	20/40 MHz Support
Modulation Mode	802.11b: CCK 802.11g/n: OFDM 802.11ax: OFDMA
Wi-Fi Security	WPA-PSK/WPA2-PSK
Transmit Power	802.11b: 17±1.5 dBm@11 Mbps 802.11g: 16±1.5 dBm@54 Mbps 802.11n: 16±1.5 dBm@MCS7 802.11ax: 16±1.5 dBm@MCS11
Receive Sensitivity	802.11b: -90 dBm@11 Mbps (Typical) 802.11g: -75 dBm@54 Mbps (Typical) 802.11n: -74 dBm@150 Mbps (Typical) 802.11ax: -62 dBm@MCS11, HE40 (Typical)
Transmission Rate	802.11b: 11 Mbps 802.11g: 54 Mbps 802.11n: up to 150 Mbps 802.11ax: up to 270 Mbps
General	
Material	Plastic
Power Consumption	Max 2.9W
Power	DC 5V/1.5A USB typeA-C interface
Dimensions	Φ60mm*60mm*60mm (Φ2.4"x 2.4"x 2.4")
Weight	0.09 kg (0.2 lb)
Working Environment	-10 °C to 50 °C (14 °F to 122 °F), Humidity: ≤ 95% RH (non-condensing)
Storage Environment	-10 °C to 50 °C (14 °F to 122 °F), Humidity: ≤ 95% RH (non-condensing)
Reset Button	Support
LED Indicator	1, red/blue
Certification	
EMC	CE-EMC (EN 55032, EN 61000-3-2, EN IEC 61000-3-3, EN 50130)

	FCC (SDoC 47 CFR Part 15, Subpart B)
RF	FCC ID (FCC CFR 47 part15 ,SubpartC)CE RED (EN 301 489-1, EN 301 489-17, EN 300 328, EN IEC 62311)
Safety	CE LVD (EN IEC 62368-1)
Environment	CE-RoHS (2011/65/EU;(EU)2015/863); WEEE (2012/19/EU);

Dimensions



Zhejiang Uniview Technologies Co., Ltd.



<http://www.uniview.com>



overseasbusiness@uniview.com; globalsupport@uniview.com



No. 369, Xietong Road, Xixing Sub-district, Binjiang District, Hangzhou City, 310051, Zhejiang Province, China



©2023-2025 Zhejiang Uniview Technologies Co., Ltd. All rights reserved.

*Product specifications and availability are subject to change without notice.

*Despite our best efforts, technical or typographical errors may exist in this document.

Uniview cannot be held responsible for any such errors and reserves the right to change the contents of this document without prior notice.