

280KG Single Door Electromagnetic Lock U-Shaped Bracket OEA-MS12-280U



Overview

OEA-MS12-280U is a U-Bracket for 280kg magnetic locks

Features

- Used to install the armature plate of 280kg magnetic locks, suitable for 8mm to 12mm thick frameless glass doors

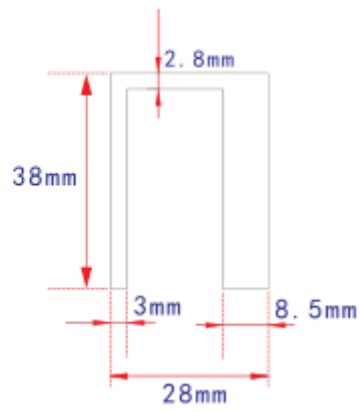
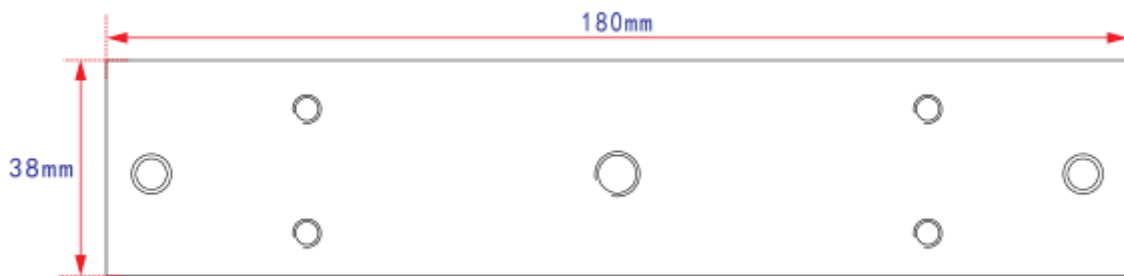
Specifications

Model	OEA-MS12-280U
Physical	
Material	Aluminum alloy
Hardware Specification	
Dimensions (L x W x H)	180*38*28mm
Weight	0.32kg

Ordering Info

Product Model	Description
OEA-MS12-280U	280KG Single Door Electromagnetic Lock U-Shaped Bracket

Dimensions



Unlimited New View

Zhejiang Uniview Technologies Co., Ltd.



<http://www.uniview.com>



overseasbusiness@uniview.com; globalsupport@uniview.com



No. 369, Xietong Road, Xixing Sub-district, Binjiang District, Hangzhou City, 310051, Zhejiang Province, China



©2023-2025 Zhejiang Uniview Technologies Co., Ltd. All rights reserved.

*Product specifications and availability are subject to change without notice.

Despite our best efforts, technical or typographical errors may exist in this document. Uniview cannot be held responsible for any such errors and reserves the right to change the contents of this document without prior notice.