

# 8MP WDR LightHunter IR Network Bullet Camera

IPC2228SB-ADF28KM-I1



## Features

- Ultra high quality image with 8MP, 1/2.8" CMOS sensor
- 3840\*2160@30fps in the main stream, sub stream can be 1080P@30fps simultaneously
- Ultra 265, H.265, H.264, MJPEG
- Smart intrusion prevention, support false alarm filtering, include Cross Line, Intrusion, Enter Area, Leave Area detection
- LightHunter technology ensures ultra-high image quality in low illumination environment
- Support 9:16 Corridor Mode
- Up to 120 dB Optical WDR (Wide Dynamic Range)
- Support Smart IR, up to 80m IR range
- DC12V or PoE (IEEE 802.3af) power supply
- Audio 1 in and 1 out, Alarm 1 in and 1 out
- Built-in Mic
- IP67, IK10

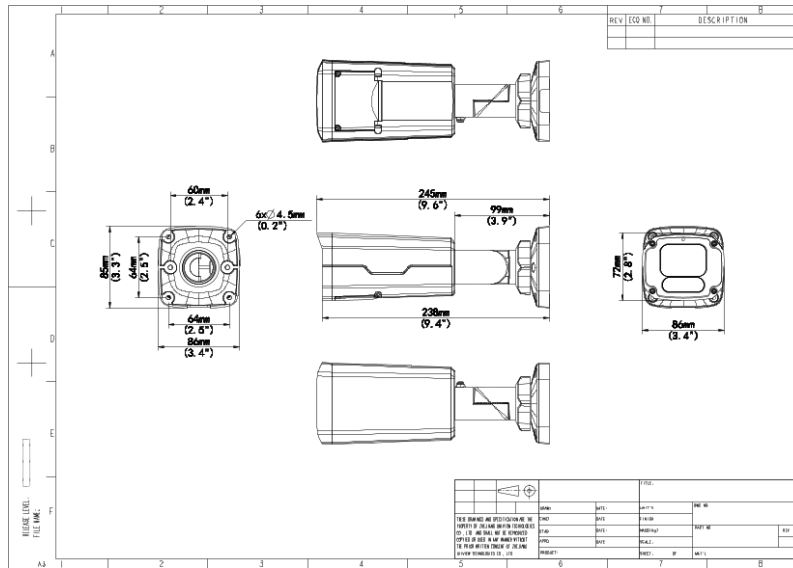
## Specifications

| Camera                     | Description                                      |
|----------------------------|--|
| Max Resolution             | 8MP  |
| Sensor                     | 1/2.8" CMOS                                      |
| Min. Illumination          | Colour:0.002 lux (F1.6, AGC ON)<br>0 lux with IR |
| Day/Night                  | IR-cut filter with auto switch (ICR)             |
| Shutter                    | Auto/Manual,<br>1 ~ 1/100000s                    |
| WDR                        | 120dB  |
| S/N                        | >56dB  |
| Lens                       | Description                                      |
| Focal Length               | 2.8 mm   |
| Iris                       | F1.6   |
| Field of View (H)          | 97°  |
| Field of View (V)          | 53°  |
| Field of View (D)          | 126.1°   |
| Iris Type                  | Fixed  |
| DORI                       | Description                                      |
| DORI Distance (Lens)       | 2.8mm  |
| DORI Distance (Detect)     | 87.0m(285.3ft)                                   |
| DORI Distance (Observe)    | 34.8m(114.1ft)                                   |
| DORI Distance (Recognize)  | 17.4m(57.1ft)                                    |
| DORI Distance (Identify)   | 8.7m(28.5ft)                                     |
| Illuminator                | Description                                      |
| Illumination Distance (IR) | 80 m (262 ft)                                    |
| Wavelength                 | 850 nm   |
| Video                      | Description                                      |
| Frame Rate-Main Stream     | 8MP (3840*2160), Max 30fps                       |
| Frame Rate-Sub Stream      | 1080P (1920*1080), Max 30fps                     |
| Video Compression          | Ultra 265; H.265; H.264; MJPEG                   |

|                            |  |
|----------------------------|--|
| Privacy Mask               | Up to 8 areas (8 blacks/ 8 mosaics)  |
| Video Bit Rate             | 128 Kbps ~ 16 Mbps   |
| Frame Rate-Third Stream    | D1 (720*576), Max 30fps  |
| ROI                        | Support  |
| Video Stream               | Triple Streams   |
| OSD                        | Up to 10 OSDs  |
| <b>Image</b>               | Description  |
| White Balance              | Auto; Outdoor; Fine Tune; Sodium Lamp; Locked; Auto2   |
| Digital Noise Reduction    | 2D/3D DNR  |
| Smart IR                   | Support  |
| Flip                       | Normal; Flip Vertical; Flip Horizontal; 180°; 90°Clockwise; 90°Anti-clockwise  |
| HLC                        | Support  |
| Defog                      | Digital Defog  |
| <b>Intelligent</b>         | Description  |
| Smart Intrusion Prevention | Cross line detection, Intrusion detection, Enter area detection, Leave area detection (support false alarm filtering and the classification of human, non-motor vehicle and vehicle) |
| <b>Events</b>              | Description  |
| Basic Detection            | Motion Detection; Ultra Motion Detection; Tampering Alarm; Audio Detection   |
| General Function           | Watermark; IP Address Filtering; Access Policy; ARP Protection; RTSP Authentication; User Authentication; HTTP Authentication; Alarm Input; Alarm Output                             |
| <b>Audio</b>               | Description  |
| Audio Compression          | G.711U; G.711A   |
| Two-way Audio              | Support  |
| Suppression                | Support  |
| Sampling Rate              | 8 KHz, 16 KHz  |
| <b>Storage</b>             | Description  |
| Edge Storage               | Micro SD, up to 512 GB   |
| Network Storage            | ANR; NAS (NFS)   |
| <b>Network</b>             | Description  |
| Protocols                  | IGMP; RTP; SMTP; IPv4; IPv6; ICMP; ARP; TCP; UDP; DHCP; PPPoE; RTSP; RTCP; RTMP; DNS; DDNS; NTP; FTP; UPnP; HTTP; HTTPS; 802.1x; SNMP; QoS; SSL/TLS; SSH                             |
| Compatible Integration     | ONVIF (Profile S, Profile G, Profile T, Profile M);  |

|                       |  |
|-----------------------|--|
|                       | API; SDK   |
| User/Host             | Up to 32 users. 3 user levels: administrator, common user and operator   |
| Security              | Password Protection; Strong Password; HTTPS Encryption; Export Operation Logs; Basic and Digest Authentication for RTSP; Digest Authentication for HTTP; TLS 1.2; WSSE and Digest Authentication for ONVIF; TLS1.3 |
| Client                | EZStation; UNV-Link; UNV-Link Pro  |
| Web Browser           | Plug-in required live view: IE 10 and above, Chrome 45 and above, Firefox 52 and above, Edge 79 and above  |
| <b>Interface</b>      | <b>Description</b>   |
| Audio I/O             | 1 Input: impedance 1k $\Omega$ ; amplitude 2.5V [p-p]; 1 Output: impedance 600 $\Omega$ ; amplitude 2.5V [p-p]   |
| Alarm I/O             | 1/1  |
| Built-in Mic          | Support  |
| Network               | 1 x RJ45 10M/100M Base-TX Ethernet   |
| <b>General</b>        | <b>Description</b>   |
| Built-in DC12V Output | Support  |
| Power                 | DC12V( $\pm$ 25%), PoE (IEEE 802.3af)  |
| Power Consumption     | Max 10W  |
| Power Interface       | $\varnothing$ 5.5 mm coaxial power plug  |
| Dimensions            | 245 x 87 x 86 mm (9.6" x 3.4" x 3.4") (L x W x H)  |
| Weight                | 0.82kg(1.81lb)   |
| Working Environment   | -30 °C ~ 60 °C (-22 °F ~ 140 °F), Humidity: $\leq$ 95% RH (non-condensing)   |
| Storage Environment   | -40 °C ~ 70 °C (-40 °F ~ 158 °F), Humidity: $\leq$ 95% RH (non-condensing)   |
| <b>Certification</b>  | <b>Description</b>   |
| EMC                   | CE-EMC (EN 55032: 2015+A1:2020,EN 61000-3-3: 2013+A1: 2019,EN IEC 61000-3-2: 2019+A1: 2021,EN 55035: 2017+A11:2020)<br>FCC (FCC CFR 47 part15 B, ANSI C63.4-2014)  |
| Safety                | CE LVD (EN 62368-1:2014+A11:2017)<br>UL (UL 62368-1, 3rd Ed., 2021-10-22 )   |
| Environment           | CE-RoHS (2011/65/EU;(EU)2015/863); WEEE (2012/19/EU); Reach (Regulation (EC) No 1907/2006)   |
| Protection            | IP67 (IEC 60529:1989+AMD1:1999+AMD2:2013)<br>IK10 (IEC 62262:2002)   |

## Dimensions



## Accessories

TR-JB07-D-IN

Bullet Junction Box(Support wiring from behind)

TR-JB06-A-IN

Middle Bullet Junction Box(Elegant White)

TR-UP06-B-IN

Bullet Pole Mounting Bracket



TR-UP06-C-IN

Pole Mounting Bracket for Bullet Junction Box Only

TR-A01-IN

NPT 3/4" Waterproof Cable Gland



**Zhejiang Uniview Technologies Co., Ltd.**

No. 369, Xietong Road, Xixing Sub-district, Binjiang District, Hangzhou City, 310051, Zhejiang Province, China (Zhejiang) Pilot Free Trade Zone, China

Email: [overseasbusiness@uniview.com](mailto:overseasbusiness@uniview.com); [globalsupport@uniview.com](mailto:globalsupport@uniview.com)

<http://www.uniview.com>

©2024 Zhejiang Uniview Technologies Co., Ltd. All rights reserved.

\*Product specifications and availability are subject to change without notice.

\*Despite our best efforts, technical or typographical errors may exist in this document. Uniview cannot be held responsible for any such errors and reserves the right to change the contents of this document without prior notice.