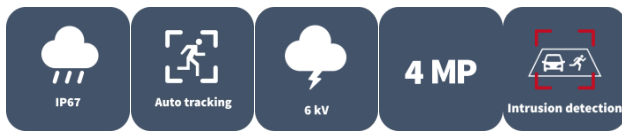


4MP 33X Dual-Light T-Type Network Camera HIC7542-FW@X33-E-VD2



Features

- Built-in high-precision encoder with accuracy up to $\pm 0.04^\circ$; smooth PT operation with automatic deviation correction
- Wise-ISP image processing engine, intelligent noise reduction, stunning visual effects in low-light conditions
- People counting: supports people flow counting and crowd density monitoring, applicable to various scenarios
- automatic selection of best snapshots, supports face detection masked area
- Achieve 360° horizontal rotation (0° to 360°) and vertical tilt ranging from -90° to $+90^\circ$
- Auto-Tracking: supports classification-based tracking of motor vehicles, non-motor vehicles, and pedestrians. Automatically returns to the preset position after reaching the set tracking duration
- Dual-Light Illumination for Extended Night Vision Supports white light up to 100m and infrared (IR) illumination up to 250m
- •

Specifications

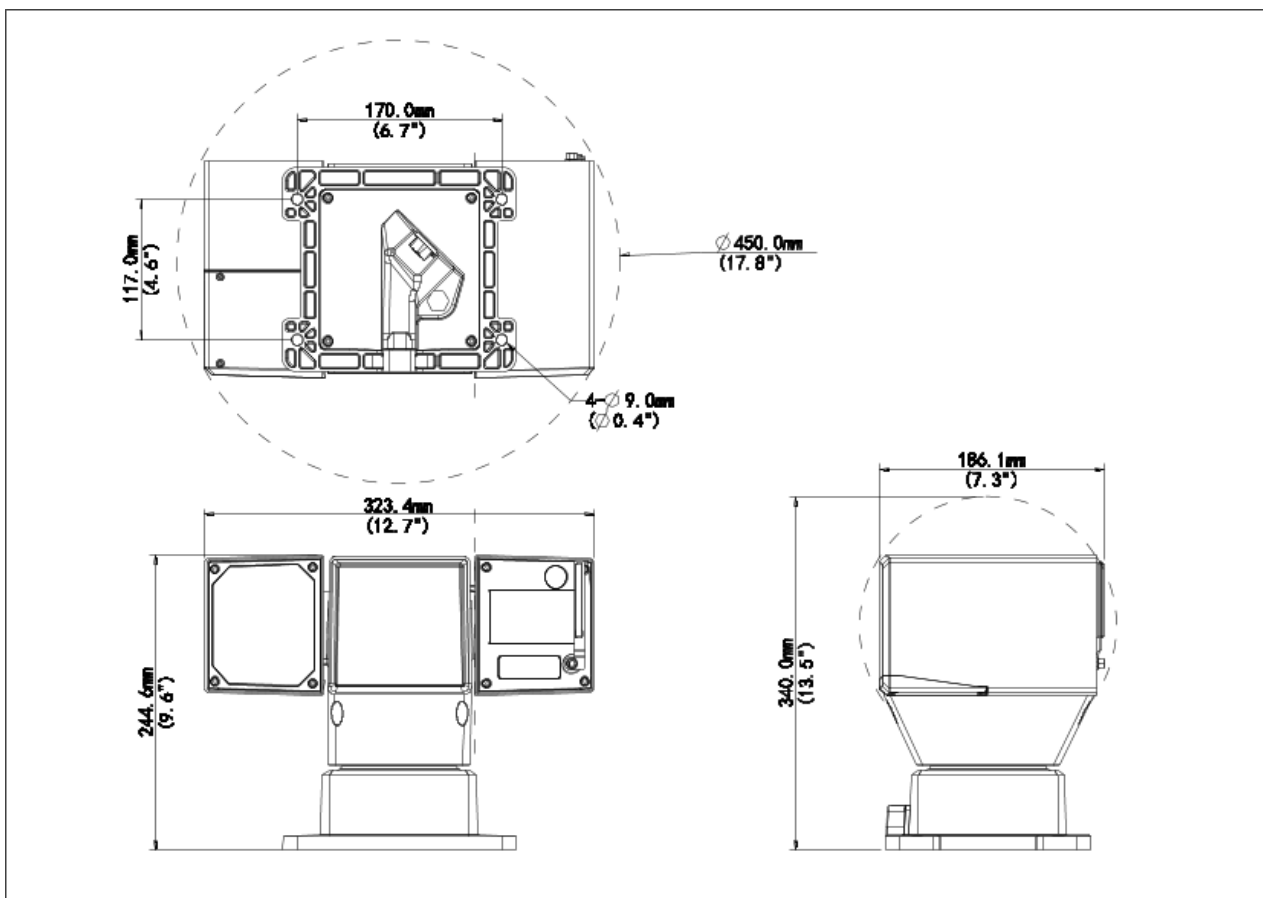
Model	HIC7542-FW@X33-E-VD2-PH
Camera	
Max Resolution	4 MP
Sensor	1/1.8" CMOS
Day/Night	IR-cut filter with auto switch (ICR)
Shutter	Auto/Manual, 1 to 1/100000 s
WDR	120 dB
S/N	> 56 dB
Min. Illumination	Color: 0.001 Lux (F1.5, AGC ON), 0 Lux with IR
Lens	

Focal Length	6.5 to 214.5 mm
Digital Zoom	16X
Optical Zoom	33X
Iris	F1.5 to F3.4
DORI	
DORI Distance (Detect)	98.7 m to 2149.1 m (323.8 ft. to 7051.0 ft.)
DORI Distance (Observe)	39.5 m to 859.7m (129.5 ft. to 2820.4 ft.)
DORI Distance (Recognize)	19.5 m to 429.8 m (64.8 ft. to 1410.2 ft.)
DORI Distance (Identify)	9.9 m to 214.9 m (32.4 ft. to 705.1 ft.)
Video	
Video Compression	H.265, H.264, MJPEG
Frame Rate	Main Stream Max: 4 MP (2688 × 1520), 30 fps Sub Stream Max: 1080P (1920 × 1080), 30 fps Third Stream Max: D1 (720 × 576), 30 fps Fourth Stream Max: D1 (720 × 576), 30 fps Fifth Stream Max: D1 (720 × 576), 30 fps
Video Bit Rate	128 Kbps to 16 Mbps
U-code	Support
Privacy Mask	24 areas, up to 8 areas per scene
ROI	Up to 8 areas
Video Stream	Five streams
OSD	Up to 10 OSDs
Frame Rate Recommendation	2688 × 1520@60 fps + 1080P@60 fps + D1@30 fps 2688 × 1520@60 fps + 720P@60 fps + D1@60 fps + D1@60 fps + D1@60 fps 2560 × 1440@30 fps + 1080P@60 fps + D1@60 fps 1080P@60 fps + 1080P@60 fps + D1@60fp + D1@60fp + D1@60fp
Events	
General Function	Watermark, IP address filtering, Access policy, ARP protection, RTSP authentication, User authentication, Alarm input, Alarm output, HTTP authentication
Audio	
Audio Compression	G.711U, G.711A
Sampling Rate	8 kHz, 16 kHz
Storage	
Edge Storage	MicroSD, up to 512 GB
Network	
User/Host	Up to 32 users. 3 user levels: administrator, common user and operator
Protocols	SSH, IGMP, RTP, RTMP, RTCP, IPv4, SSL/TLS, QoS, 802.1x, HTTPS, HTTP, UPnP, NTP, DDNS, DNS, RTSP, DHCP, UDP, TCP, ARP, ICMP, IPv6, SMTP, PPPoE, SNMP
Compatible Integration	SDK, API, ONVIF (Profile S, Profile G, Profile T, Profile M)
Security	Password Protection, Strong Password, HTTPS Encryption, Export Operation Logs, Basic and Digest Authentication for RTSP, Digest Authentication for HTTP, WSSE and Digest Authentication for ONVIF, TLS 1.3
Web Browser	Plug-in required live view: IE 10+, Chrome 45+, Firefox 52+, Edge 79+, Plug-in free live view:

	Chrome 57+, Firefox 58+, Edge 16+
PTZ	
Preset Patrol	16 patrols, up to 64 presets for each patrol
Patrol Stay Time	15 s to 1800 s
Preset Image Freeze	Support
Tilt Range	-90° to 90°
Home Position	Support
Pan Speed	0.1°/s to 300°/s
Pan Range	360° (endless)
Tilt Speed	0.1°/s to 240°/s
Number of Presets	1024
Image	
White Balance	Auto, Outdoor, Fine tune, Sodium lamp, Locked, Auto2, Area white balance
BLC	Support
Digital Noise Reduction	2D/3D DNR
Flip	Normal, Flip vertical, Flip horizontal, 180°
HLC	Support
Defog	Optical defog
Low Illumination Characteristics	ColorHunter with Wise-ISP
Image Stabilization	EIS (Gyroscope)
Interface	
Audio I/O	1 Input: impedance 1 kΩ, amplitude 2.5 V [p-p], 1 Output: impedance 600 Ω, amplitude 2.5 V [p-p]
Network	1 × RJ45 10 M/100 M Base-TX Ethernet
Alarm I/O	7/2
Serial Port	1 × RS485
Intelligent	
People Counting	Support people flow counting and crowd density detection
Exception Detection	Object removed, Object Left Behind
Auto Tracking	Support
Multi-target Detection	Support human body, human face, motor vehicle and non-motor vehicle image capture and attribute collection
Smart Intrusion Prevention	Cross line detection, intrusion detection, enter area detection, leave area detection (support false alarm filtering and the classification of human, non-motor vehicle and vehicle)
Illuminator	
Illumination Distance (Warm Light)	100 m (328.1 ft.)
IR On/Off Control	Auto/Manual
Illumination Distance (IR)	250 m (820.2 ft.)
General	
Dimensions	323.4mm*186.1mm*244.6mm
Weight	8.28 kg
Storage Environment	-40 °C to 70 °C (-40 °F to 158 °F), Humidity: ≤ 95% RH (non-condensing)

Surge Protection	6 KV
Working Environment	-40 °C to 70 °C (-40 °F to 158 °F), Humidity: ≤ 95% RH (non-condensing)
Material	Metal
Power	DC 24 V±25%, AC 24 V±25%
Power Consumption	Max. 60 W
Certification	
Protection	IP67 (IEC 60529) ; IK10 (IEC62262; Anti-Vandalism Except for the Front Window)
Live View	
3D Privacy Mask	Support

Dimensions



Unlimited New View

Zhejiang Uniview Technologies Co., Ltd.

 <http://www.uniview.com>

 overseasbusiness@uniview.com; globalsupport@uniview.com

 No. 369, Xietong Road, Xixing Sub-district, Binjiang District, Hangzhou City, 310051, Zhejiang Province, China



©2023-2025 Zhejiang Uniview Technologies Co., Ltd. All rights reserved.

*Product specifications and availability are subject to change without notice.

Despite our best efforts, technical or typographical errors may exist in this document. Uniview cannot be held responsible for any such errors and reserves the right to change the contents of this document without prior notice.