

5MP Panoramic IR Fixed Fisheye Network Camera

IPC815SB-ADF14K-I0



Features

- High quality image with 5MP, 1/2.8"CMOS sensor
- 5MP (2592*1944):@ 30/25fps;
- Ultra 265, H.265, H.264, MJPEG
- 120dB true WDR technology enables clear image in strong light scene
- Built-in 2 Mic, Supports the detection of sounds over longer distances
- Alarm:1 in/1 out, Audio: 1 in/1 out
- Smart IR, up to 10m (33ft) IR distance
- Supports 512 G Micro SD card
- IK10 vandal resistant
- IP66 protection
- Support PoE power supply

Specifications

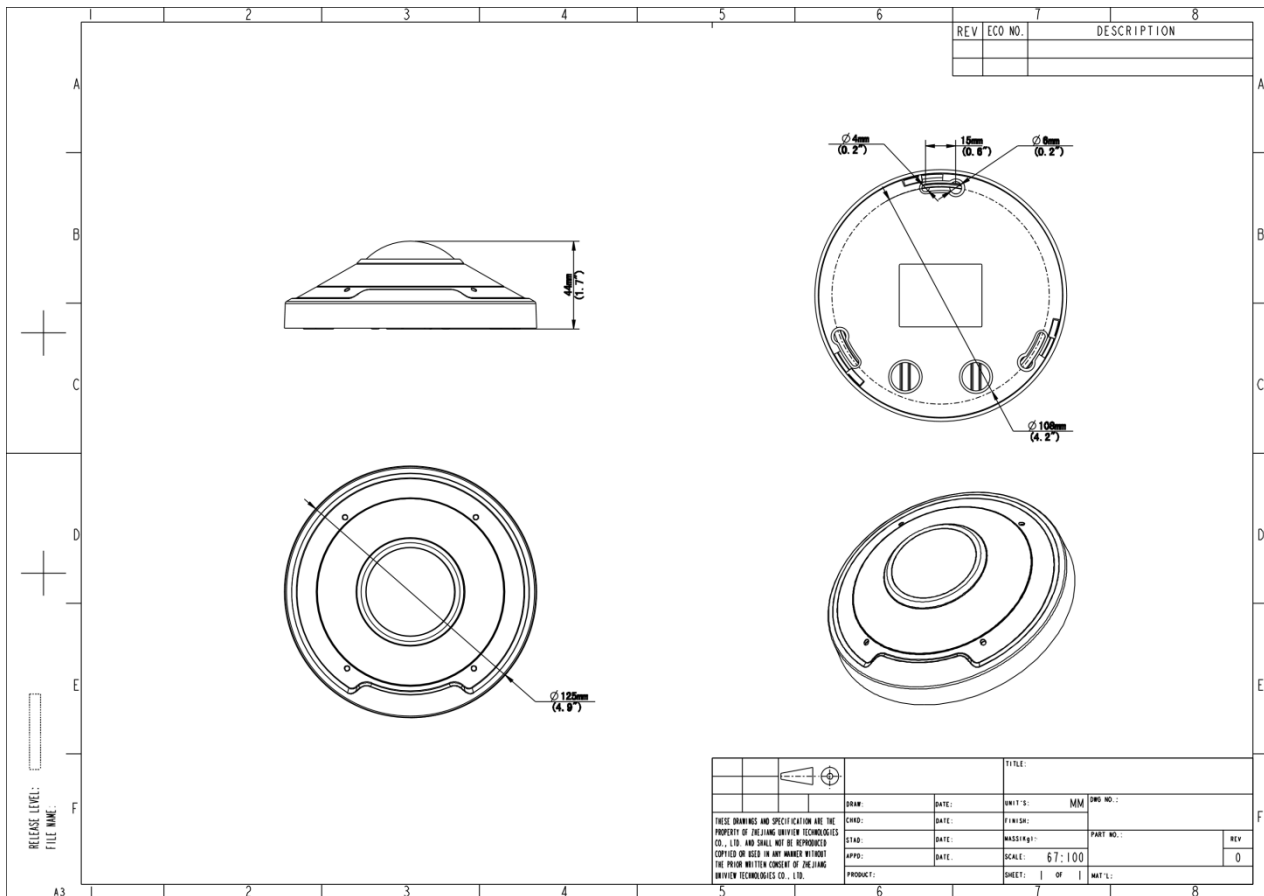
Model	IPC815SB-ADF14K-I0
Camera	
Max Resolution	5 MP
Sensor	1/2.8" CMOS
Min. Illumination	Colour: 0.01 Lux (F2.0, AGC ON) 0 Lux with IR
Day/Night	IR-cut filter with auto switch (ICR)
Shutter	Auto/Manual, 1 ~ 1/100000s
S/N	>52 dB
WDR	120 dB
Lens	
Focal Length	1.4 mm
Field of View	360°
Iris Type	Fixed
Iris	F2.0
Lens Type	Fixed
DORI	
DORI Distance (Lens)	1.4mm
DORI Distance (Detect)	31.5(103.4ft)
DORI Distance (Observe)	12.6(41.3ft)
DORI Distance (Recognize)	6.3(20.7ft)
DORI Distance (Identify)	3.2(10.5ft)
Video	
Main Stream	5MP (2592*1944): Max.30fps;
Sub Stream	Fisheye View:1080P (1920*1080): Max.30fps; 720P (1280*720), Max 30fps;
Third Stream	Fisheye View:D1 (720*576), Max 30fps; 640*360,Max 30fps; 2CIF(704*288), Max 30fps; CIF(352*288), Max 30fps;
Video Compression	Ultra 265, H.265, H.264, MJPEG
H.264 Code Profile	Baseline profile, Main profile, High profile
Video Bit Rate	128 Kbps to 16 Mbps

U-code	Support
OSD	Up to 8 OSDs
Privacy Mask	Up to 4 areas
ROI	Support
Video Stream	Triple Streams
Illuminator	
Supplemental Light	IR
Illumination Distance (IR)	10 m (32.8 ft)
IR On/Off Control	Auto/Manual
Wavelength	850 nm
Live View Display	
Hardware Decoding	N/A
Software Decoding	<p>Ceiling mount: fisheye view, 360° panorama + 1PTZ, 180° panorama view, fisheye+3PTZ, fisheye+4PTZ, fisheye+8PTZ, 360° panorama + 6PTZ</p> <p>Table mount: fisheye view, 360° panorama + 1PTZ, 180° panorama view, fisheye+3PTZ, fisheye+4PTZ, fisheye+8PTZ, 360° panorama + 6PTZ</p> <p>Wall mount: fisheye view, 180° panorama view, 180° panorama view+3PTZ, 180° panorama view+4PTZ, 180° panorama view+8PTZ</p>
Image	
White Balance	Auto, Outdoor, Fine Tune, Sodium Lamp, Locked, Auto2
Smart IR	Support
Digital Noise Reduction	2D/3D DNR
Flip	Normal, Flip Vertical, Flip Horizontal, 180°
Dewarping	N/A
HLC	N/A
BLC	Support
Defog	Digital Defog
Image Stabilization	N/A
Intelligent	
Statistical Analysis	Heat map (Working with management platform)
Events	
Basic Detection	Motion Detection, Tampering Alarm, Audio Detection

General Function	Watermark, IP Address Filtering, Access Policy, ARP Protection, RTSP Authentication, User Authentication, HTTP Authentication
Audio	
Audio Compression	G.711U, G.711A
Audio Bitrate	64 Kbps
Two-way Audio	Support
Suppression	Support
Sampling Rate	8 kHz
Storage	
Edge Storage	Micro SD, up to 512 GB
Network Storage	ANR, NAS (NFS)
Network	
Protocols	IPv4, IPv6, IGMP, ARP, TCP, UDP, DHCP, PPPoE, RTP, RTSP, RTCP, RTMP, DNS, DDNS, NTP, FTP, HTTP, HTTPS, SMTP, 802.1x, SNMP, QoS
Compatible Integration	ONVIF (Profile S, Profile G, Profile T), API, SDK
User/Host	Up to 32 users. 3 user levels: administrator, common user and operator
Security	Password Protection, Strong Password, HTTPS Encryption, Export Operation Logs, Basic and Digest Authentication for RTSP, Digest Authentication for HTTP, TLS 1.2, WSSE and Digest Authentication for ONVIF
Client	EZView, EZLive, EZStation
Web Browser	Plug-in required live view: IE 10+, Chrome 45+, Firefox 52+, Edge 79+
Interface	
Audio I/O	1 Input: impedance 35 k Ω , amplitude 2 V [p-p], 1 Output: impedance 600 Ω , amplitude 2 V [p-p]
Alarm I/O	1/1
Serial Port	1 channel RS485 interface
Built-in Mic	Built-in two mics
Built-in Speaker	N/A
Network	1 \times RJ45 10 M/100 M Base-TX Ethernet
Video Output	1 BNC, impedance 75 Ω , amplitude 1 V [p-p]
Certification	

EMC	FCC CFR 47 Part 15 EN 55032:2015 EN 55024:2010 EN 61000-3-2:2014 EN 61000-3-3-2013
Safety	IEC 62368-1 EN 62368-1 UL 62368-1
Environment	CE-ROHS (2011/65/EU;(EU)2015/863); WEEE (2012/19/EU); REACH (Regulation (EC) No 1907/2006)
Protection	IP66 (IEC 60529-2013) IK10 (IEC 62262:2002)
General	
Power	DC12V±25%, PoE (IEEE 802.3af)
Power Consumption	Max. 8.5W
Power Interface	Ø5.5 mm coaxial power plug
Dimensions	Ø125 × 43.7 mm (Ø4.9" × 1.7") (Ø x H)
Weight	0.36kg (0.79lb)
Material	Metal + Plastic
Working Environment	-30 °C to 60 °C (-22 °F to 140 °F), Humidity: ≤ 95% RH (non-condensing)
Storage Environment	-30 °C to 60 °C (-22 °F to 140 °F), Humidity: ≤ 95% RH (non-condensing)
Surge Protection	4 KV
Reset Button	Support
Web Client Language	20 Languages: Traditional Chinese, English, Simplified Chinese, Polish, German, Russian, French, Korean, Dutch, Czech, Portuguese (Europe), Portuguese (Brazil), Japanese, Thai, Turkish, Spanish (Latin America), Spanish (Europe), Hungarian, Italian, Vietnamese

Dimensions



Accessories

TR-JB03-H-IN

Junction Box for Metal Turret Camera
(Support wiring from behind)



TR-A01-IN

NPT 3/4" Waterproof Cable Gland



TR-SE24-IN

Dome Pendant Mounting Pole 200mm



TR-SE24-A-IN

TR-CM24-IN

Dome Pendent Mounting Pole 500mm

Dome Pendent Mounting Bracket(Indoor)



Zhejiang Uniview Technologies Co., Ltd.

No. 369, Xietong Road, Xixing Sub-district, Binjiang District, Hangzhou City, 310051, Zhejiang Province, China (Zhejiang) Pilot Free Trade Zone, China

Email: overseasbusiness@uniview.com; globalsupport@uniview.com

<http://www.uniview.com>

©2023-2025 Zhejiang Uniview Technologies Co., Ltd. All rights reserved.

*Product specifications and availability are subject to change without notice.

*Despite our best efforts, technical or typographical errors may exist in this document. Uniview cannot be held responsible for any such errors and reserves the right to change the contents of this document without prior notice.