

Switch Box Adapter for 323 Series Fix-dome

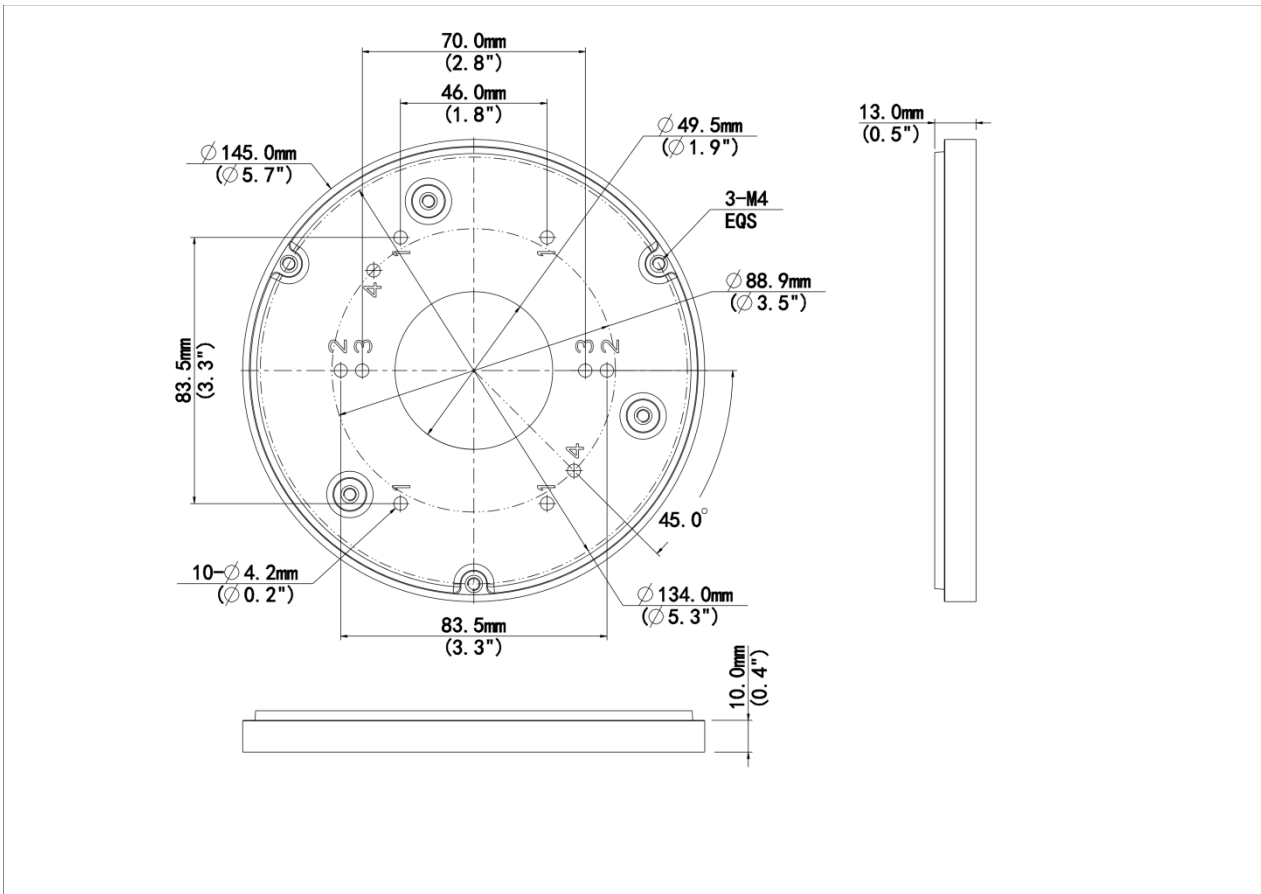
TR-SM04-IN



Specifications

Model	TR-SM04-IN
Bracket	
Application	Indoor, Electric-box Transfer plate for IPC323 Series Fixed Dome
Bracket Dimensions	Φ145mmx13mm (5.7" x0.5")
Bracket Weight	0.13kg(0.29lb)
Bracket Material	Aluminum alloy

Dimensions



Zhejiang Uniview Technologies Co., Ltd.

No. 369, Xietong Road, Xixing Sub-district, Binjiang District, Hangzhou City, 310051, Zhejiang Province, China (Zhejiang) Pilot Free Trade Zone, China

Email: overseasbusiness@uniview.com; globalsupport@uniview.com

<http://www.uniview.com>

©2023-2025 Zhejiang Uniview Technologies Co., Ltd. All rights reserved.

*Product specifications and availability are subject to change without notice.

*Despite our best efforts, technical or typographical errors may exist in this document. Uniview cannot be held responsible for any such errors and reserves the right to change the contents of this document without prior notice.