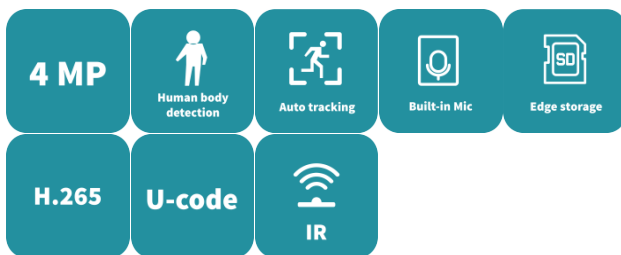


4MP Indoor Pan & Tilt Wi-Fi Camera

Uho-S2E-M4



Features

- High quality image with 4MP, 1/3"CMOS sensor
- 4MP (2560*1440)@25/20fps; 3MP (2304*1296)@30/25fps; 2MP (1920*1080)@30/25fps
- Ultra 265, H.265, H.264
- Built-in Mic & Speaker, support two-way audio, offer better interaction
- IR night vision, up to 10m (33ft) IR distance
- Support 512 G Micro SD card
- Wi-Fi connection and easy installation

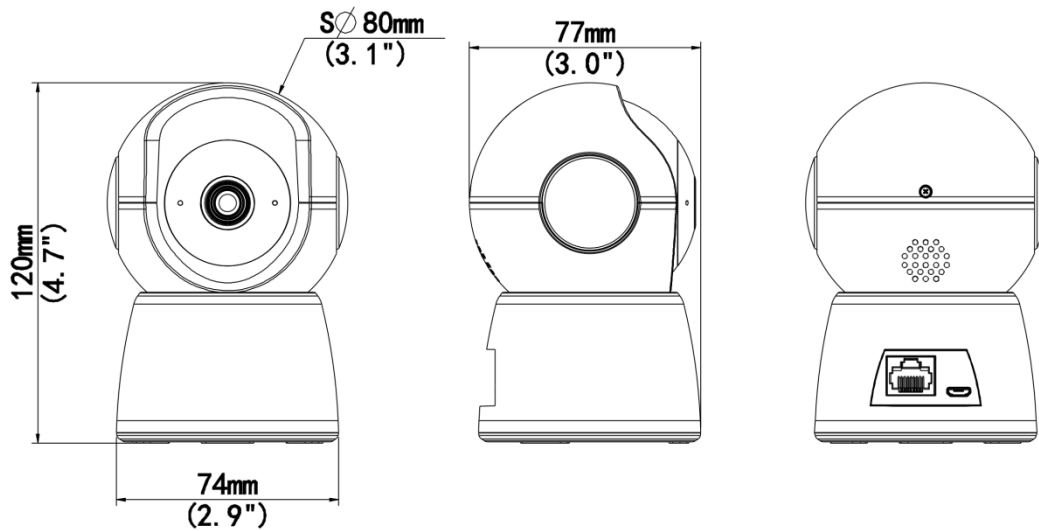
Specifications

Model	Uho-S2E-M4
Camera	
Max Resolution	4 MP
Sensor	1/3.0"CMOS
Min. Illumination	Colour: 0.01 lux (F2.0, AGC ON) 0 lux with IR on
Day/Night	IR-cut filter with auto switch (ICR)
Shutter	Auto/Manual, 1/4 to 1/100000 s
S/N	>52 dB
WDR	DWDR
Lens	
Focal Length	4.0 mm
Iris Type	Fixed
Iris	F2.0
Field of View (H)	79.0°
Field of View (V)	42.3°
Field of View (D)	85.1°
Illuminator	
Illumination Distance (IR)	Up to 10m (33ft)
Wavelength	850 nm
Supplemental Light	IR
IR On/Off Control	Auto/Manual
Video	
Video Compression	Ultra 265, H.265, H.264
Frame Rate	Main Stream: 4MP (2560*1440), Max 25fps; 3MP (2304*1296), Max 30fps; 2MP (1920*1080), Max 30fps; 720P (1280*720), Max 30fps; Sub Stream: 640*360,Max 30fps; 2CIF(704*288), Max 30fps; CIF(352*288), Max 30fps;
U-code	Support
Video Bit Rate	128 Kbps to 6144 Kbps
Privacy Mask	Support (only NVR)
OSD	Up to 2 OSDs
ROI	Up to 8 areas
Video Stream	Dual streams
Image	
Smart IR	Support
White Balance	Auto, Outdoor, Fine tune, Sodium lamp, Locked, Auto2
Digital Noise Reduction	2D/3D DNR
HLC	N/A
BLC	N/A
Dewarping	N/A
Defog	Digital defog

Flip	Normal, Flip vertical, Flip horizontal, 180°
Events	
Basic Detection	Human body detection, Motion detection, Audio detection
General Function	IP address filtering, Access policy, ARP protection, RTSP authentication, User authentication, HTTP authentication
Intelligent	
Auto Tracking	Support
Audio	
Audio Compression	G.711U, G.711A
Audio Bitrate	64 Kbps
Two-way Audio	Support
Suppression	Support
Sampling Rate	8 kHz
Storage	
Edge Storage	MicroSD, up to 512 GB
Network Storage	ANR
Network	
Wi-Fi	2.4G Wi-Fi (IEEE802.11b/g/n), built-in antenna
Protocols	IPv4, TCP, UDP, DHCP, RTSP, DNS, DDNS, NTP, HTTP
Compatible Integration	API
Client	APP, Uniarch client
Web Browser	Plug-in required live view: IE 10+, Chrome 45+, Firefox 52+, Edge 79+
Wi-Fi	
Wireless Standards	IEEE802.11b/g/n
Frequency Range	2.4 GHz to 2.4835 GHz
Channel Bandwidth	20 MHz Support
Modulation Mode	802.11b: CCK, QPSK, BPSK 802.11g/n: OFDM/HT
Wi-Fi Security	64/128-bit WEP, WPA-PSK/WPA2-PSK
Transmit Power	802.11b: 17±1.5 dBm@11 Mbps 802.11g: 14±1.5 dBm@54 Mbps 802.11n: 12.5±1.5 dBm@150 Mbps
Receive Sensitivity	802.11b: -90 dBm@11 Mbps (Typical) 802.11g: -75 dBm@54 Mbps (Typical) 802.11n: -74 dBm@150 Mbps (Typical)
Transmission Rate	802.11b: 11 Mbps 802.11g: 54 Mbps 802.11n: up to 150 Mbps
Interface	
Audio I/O	N/A
Alarm I/O	N/A
Built-in Mic	Support
Built-in Speaker	Support
WIFI	Support
Network	1 × RJ45 10 M/100 M Base-TX Ethernet
Certification	
EMC	CE-EMC (EN 55032, EN 61000-3-3, EN IEC 61000-3-2, EN 55035) FCC (FCC 47 CFR part15 B)

RF	FCC ID (FCC CFR 47 part15 C) CE RED (EN 301 489-1, EN 301 489-17, EN 300 328, EN 62311)
Safety	CE LVD (EN 62368-1)
Environment	CE-RoHS (2011/65/EU;(EU)2015/863); WEEE (2012/19/EU);
General	
Power	DC 5V/1.5A Micro USB interface
Dimensions	Φ80 x 120mm (Ø3.1" x 4.8")
Reset Button	Support
Weight	0.18kg(0.40lb)
Working Environment	-10°C~55°C(-14°F ~ 131°F), Humidity: ≤95% RH (non-condensing)
Storage Environment	-10°C~55°C(-14°F ~ 131°F), Humidity: ≤95% RH (non-condensing)
LED Indicator	1, red/blue
PTZ	
Number of Presets	20
Pan Range	0° ~ 340°
Pan Speed	17°/s ~ 50°/s Preset speed: 50°/s
Tilt Range	-5° ~ 55°
Tilt Speed	17°/s ~ 50°/s Preset speed: 50°/s

Dimensions



Accessories

TR-WM05-A

Indoor Camera PTZ Wall Mount Bracket

Zhejiang Uniview Technologies Co., Ltd.



<http://www.uniview.com>



overseasbusiness@uniview.com; globalsupport@uniview.com



No. 369, Xietong Road, Xixing Sub-district, Binjiang District, Hangzhou City, 310051, Zhejiang Province, China



©2023-2025 Zhejiang Uniview Technologies Co., Ltd. All rights reserved.

*Product specifications and availability are subject to change without notice.

*Despite our best efforts, technical or typographical errors may exist in this document.

Uniview cannot be held responsible for any such errors and reserves the right to change the contents of this document without prior notice.