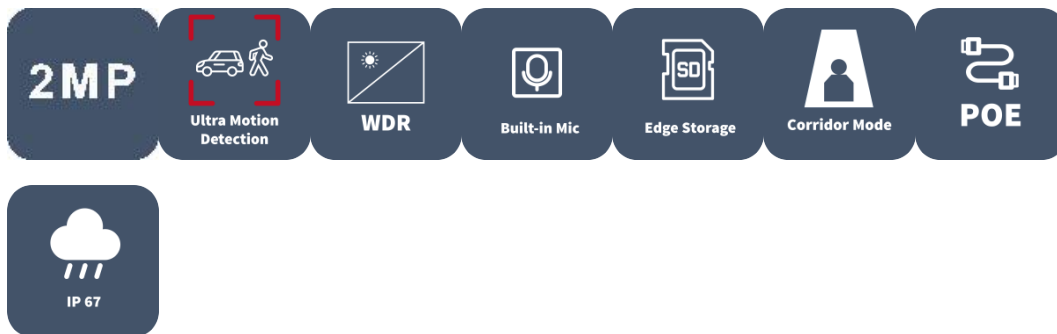


2MP HD WDR Fixed IR Bullet Network Camera

IPC2122LB-ADF28(40)KM-H



Features

- High quality image with 2MP, 1/2.7"CMOS sensor
- 2MP (1920*1080)@30/25fps; 720P (1280*720)@30/25fps
- Ultra 265, H.265, H.264, MJPEG
- 120dB true WDR technology enables clear image in strong light scene
- Support 9:16 Corridor Mode
- Built-in Mic
- Smart IR, up to 30m (98ft) IR distance
- Supports 512 G Micro SD card
- Support PoE power supply
- 3-Axis

Specifications

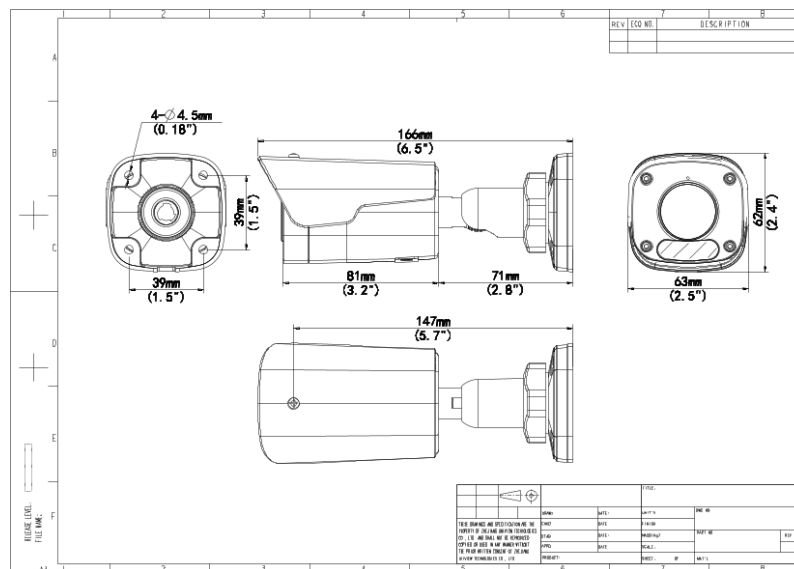
Camera	Description
Max Resolution	IPC2122LB-ADF28KM-H:2MP
Sensor	IPC2122LB-ADF28KM-H:1/2.7" CMOS
Min. Illumination	IPC2122LB-ADF28KM-H:Colour: 0.01 lux (F2.0, AGC ON) 0 lux with IR
Day/Night	IPC2122LB-ADF28KM-H:IR-cut filter with auto switch (ICR)
Shutter	IPC2122LB-ADF28KM-H:Auto/Manual, 1 ~ 1/100000s
Adjustment Angle	IPC2122LB-ADF28KM-H:Pan: 0° ~ 360°, Tilt: 0° ~ 90°, Rotate: 0° ~ 360°
S/N	IPC2122LB-ADF28KM-H:>52dB
WDR	IPC2122LB-ADF28KM-H:120dB
Lens	Description
Focal Length	IPC2122LB-ADF28KM-H:2.8 mm
Iris Type	IPC2122LB-ADF28KM-H:Fixed
Iris	IPC2122LB-ADF28KM-H:F2.0
Field of View (H)	IPC2122LB-ADF28KM-H:112.9°
Field of View (V)	IPC2122LB-ADF28KM-H:59.1°
Field of View (D)	IPC2122LB-ADF28KM-H:121.2°
DORI	Description
DORI Distance(Lens)	IPC2122LB-ADF28KM-H:2.8mm
DORI Distance(Detect)	IPC2122LB-ADF28KM-H:42.0m(137.8ft)
DORI Distance(Observe)	IPC2122LB-ADF28KM-H:16.8m(55.1ft)
DORI Distance(Recognize)	IPC2122LB-ADF28KM-H:8.4m(27.6ft)
DORI Distance(Identify)	IPC2122LB-ADF28KM-H:4.2m(13.8ft)
Illuminator	Description
Supplemental Light	IPC2122LB-ADF28KM-H:IR
Illumination Distance(IR)	IPC2122LB-ADF28KM-H:30 m (98.4 ft)
Wavelength	IPC2122LB-ADF28KM-H:850 nm
IR On/Off Control	IPC2122LB-ADF28KM-H:Auto/Manual
Video	Description
Video Compression	IPC2122LB-ADF28KM-H:Ultra 265; H.265; H.264; MJPEG

H.264 Code Profile	IPC2122LB-ADF28KM-H:Baseline profile, Main profile, High profile
Frame Rate	IPC2122LB-ADF28KM-H:Main Stream: 1080P (1920*1080), Max 30fps; 720P (1280*720), Max 30fps Sub Stream: 720P (1280*720), Max 30fps; D1 (720*576), Max 30fps; 640*360,Max 30fps;
Video Bit Rate	IPC2122LB-ADF28KM-H:128 Kbps ~ 6144 Kbps
U-code	IPC2122LB-ADF28KM-H:Support
OSD	IPC2122LB-ADF28KM-H:Up to 4 OSDs
Privacy Mask	IPC2122LB-ADF28KM-H:Up to 4 areas
ROI	IPC2122LB-ADF28KM-H:Support
Video Stream	IPC2122LB-ADF28KM-H:Dual Streams
Image	Description
White Balance	IPC2122LB-ADF28KM-H:Auto; Outdoor; Fine Tune; Sodium Lamp; Locked; Auto2
Digital Noise Reduction	IPC2122LB-ADF28KM-H:2D/3D DNR
Smart IR	IPC2122LB-ADF28KM-H:Support
Flip	IPC2122LB-ADF28KM-H:Normal; Flip Vertical; Flip Horizontal; 180°; 90°Clockwise; 90°Anti-clockwise
Dewarping	IPC2122LB-ADF28KM-H:N/A
HLC	IPC2122LB-ADF28KM-H:Support
BLC	IPC2122LB-ADF28KM-H:Support
Defog	IPC2122LB-ADF28KM-H:Digital Defog
Events	Description
Basic Detection	IPC2122LB-ADF28KM-H:Motion Detection; Ultra Motion Detection; Tampering Alarm; Audio Detection; Cross Line (based on Human Body Detection); Intrusion (based on Human Body Detection)
General Function	IPC2122LB-ADF28KM-H:Watermark; IP Address Filtering; Access Policy; ARP Protection; RTSP Authentication; User Authentication
Audio	Description
Audio Compression	IPC2122LB-ADF28KM-H:G.711U; G.711A
Audio Bitrate	IPC2122LB-ADF28KM-H:64 Kbps
Two-way Audio	IPC2122LB-ADF28KM-H:N/A
Suppression	IPC2122LB-ADF28KM-H:Support
Sampling Rate	IPC2122LB-ADF28KM-H:8 KHz
Storage	Description

Edge Storage	IPC2122LB-ADF28KM-H:Micro SD, up to 512 GB
Network Storage	IPC2122LB-ADF28KM-H:ANR; NAS (NFS)
Network	Description
Protocols	IPC2122LB-ADF28KM-H:IPv4; IGMP; ICMP; ARP; TCP; UDP; DHCP; RTP; RTSP; RTCP; RTMP; DNS; DDNS; NTP; FTP; UPnP; HTTP; HTTPS; SMTP; QoS; SSL/TLS; SNMP
Compatible Integration	IPC2122LB-ADF28KM-H:ONVIF (Profile S, Profile G, Profile T); API; SDK
User/Host	IPC2122LB-ADF28KM-H:Up to 32 users, 2 user levels: administrator and common user
Security	IPC2122LB-ADF28KM-H>Password Protection; Strong Password; HTTPS Encryption; Export Operation Logs; Basic and Digest Authentication for RTSP; Digest Authentication for HTTP; TLS 1.2; WSSE and Digest Authentication for ONVIF
Client	IPC2122LB-ADF28KM-H:UNV-Link; UNV-Link Pro; EZStation
Web Browser	IPC2122LB-ADF28KM-H:Plug-in required live view: IE 10 and above, Chrome 45 and above, Firefox 52 and above, Edge 79 and above; Plug-in free live view: Chrome 57.0 and above, Firefox 58.0 and above, Edge 16 and above
Interface	Description
Audio I/O	IPC2122LB-ADF28KM-H:N/A
Alarm I/O	IPC2122LB-ADF28KM-H:N/A
Serial Port	IPC2122LB-ADF28KM-H:N/A
Built-in Mic	IPC2122LB-ADF28KM-H:Support
Built-in Speaker	IPC2122LB-ADF28KM-H:N/A
WIFI	IPC2122LB-ADF28KM-H:N/A
Network	IPC2122LB-ADF28KM-H:1 x RJ45 10M/100M Base-TX Ethernet
Video Output	IPC2122LB-ADF28KM-H:N/A
Certification	Description
EMC	IPC2122LB-ADF28KM-H:CE-EMC (EN 55032, EN 61000-3-3, EN IEC 61000-3-2, EN 55035) FCC (FCC 47 CFR part15 B)
Safety	IPC2122LB-ADF28KM-H:CE LVD (EN 62368-1) CB (IEC 62368-1) UL/CUL (UL 62368-1, CAN/CSA C22.2 No. 62368-1)
Environment	IPC2122LB-ADF28KM-H:CE-RoHS (2011/65/EU;(EU)2015/863); WEEE (2012/19/EU);
Protection	IPC2122LB-ADF28KM-H:IP67 (IEC 60529)
General	Description

Power	IPC2122LB-ADF28KM-H:DC 12V ± 25%, PoE (IEEE 802.3af) Power consumption: Max 7.0W
Power Interface	IPC2122LB-ADF28KM-H:Ø 5.5 mm coaxial power plug
Dimensions	IPC2122LB-ADF28KM-H:166 × 63 × 62mm (6.5" × 2.5" × 2.5")
Weight	IPC2122LB-ADF28KM-H:0.39kg (0.86lb)
Material	IPC2122LB-ADF28KM-H:Graphene + Metal
Working Environment	IPC2122LB-ADF28KM-H:-30 °C ~ 60 °C (-22 °F ~ 140 °F), Humidity: ≤95% RH (non-condensing)
Storage Environment	IPC2122LB-ADF28KM-H:-30 °C ~ 60 °C (-22 °F ~ 140 °F), Humidity: ≤95% RH (non-condensing)
Surge Protection	IPC2122LB-ADF28KM-H:4KV
Reset Button	IPC2122LB-ADF28KM-H:N/A
Web Client Language	IPC2122LB-ADF28KM-H:4 Languages English, Russian, Spanish, Vietnamese
Other	Description
Software Version	IPC2122LB-ADF28KM-H:IPC_D1230

Dimensions



Accessories

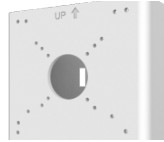
TR-JB05-A-IN

Small Bullet Junction Box(Support wiring from behind,Square)



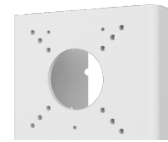
TR-UP06-C-IN

Pole Mounting Bracket for Bullet Junction Box Only



TR-UP06-B-IN

Bullet Pole Mounting Bracket



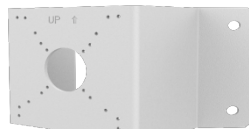
TR-A01-IN

NPT 3/4" Waterproof Cable Gland



TR-UC08-C

Bullet&Dome Corner Mounting Bracket



Zhejiang Uniview Technologies Co., Ltd.

No. 369, Xietong Road, Xixing Sub-district, Binjiang District, Hangzhou City, 310051, Zhejiang Province, China (Zhejiang) Pilot Free Trade Zone, China

Email: overseasbusiness@uniview.com; globalsupport@uniview.com

<http://www.uniview.com>

©2023-2024 Zhejiang Uniview Technologies Co., Ltd. All rights reserved.

*Product specifications and availability are subject to change without notice.

*Despite our best efforts, technical or typographical errors may exist in this document. Uniview cannot be held responsible for any such errors and reserves the right to change the contents of this document without prior notice.