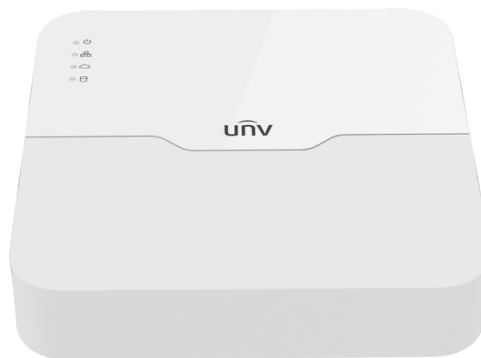


Network Video Recorder NVR301-LX-P Series



Features

- Support Ultra 265/H.265/H.264 video formats
- 4/8/16-channel input
- Plug & Play with 4/8 independent PoE network interfaces
- Support mainstream cameras of ONVIF conformance(Profile S, Profile G, Profile T) and RTSP protocols
- Support 1-ch HDMI, 1-ch VGA
- HDMI and VGA simultaneous output
- Up to 4K resolution recording
- Support cloud upgrade

Specifications

Model	NVR301-04LX-P4	NVR301-08LX-P8	NVR301-16LX-P8
Decoding			
Decoding Format	Ultra 265, H.265, H.264		
Decoding Capability	2 x 4k@30, 3 x 5MP@30, 4 x 4MP@30	2 x 4k@30, 3 x 5MP@30, 4 x 4MP@30, 5 x 3MP@30, 8 x 1080P@30	2 x 4K@30, 3 x 5MP@30, 4 x 4MP@30, 5 x 3MP@30, 8 x 1080P@30, 16 x 720P@30
Decoding Capability Description	The resolution of each channel cannot exceed 4000 pixels in length and 3000 pixels in width		
Audio Compression	G.711A, G.711U		
Network			
Incoming Bandwidth	80 Mbps		
Outgoing Bandwidth	64 Mbps		

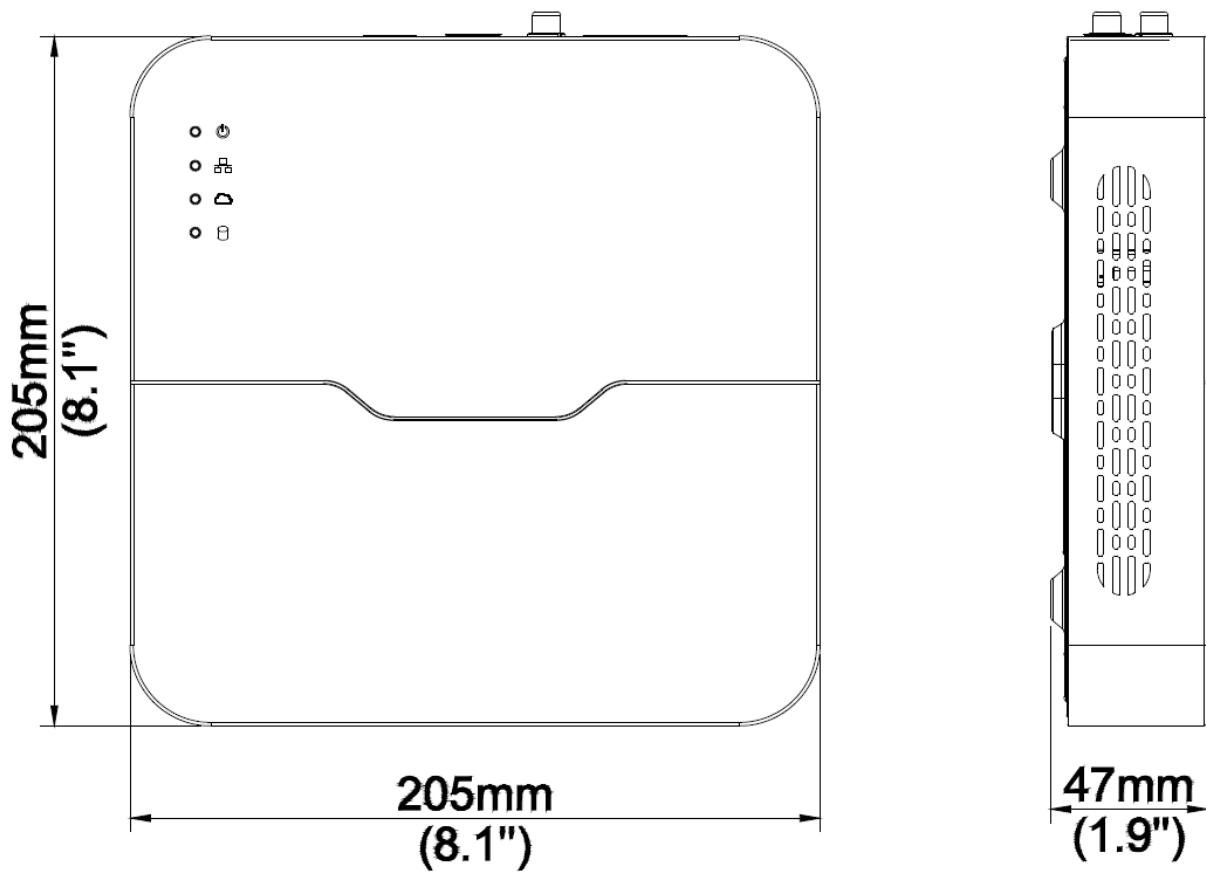
Remote Users	128		
Protocols	TCP/IP, P2P, UPnP, NTP, DHCP, PPPoE, HTTP, HTTPS, DNS, DDNS, SNMP, SMTP, RTSP, IPv4		
Browser (Plugin)	IE10, IE11, Chrome 45+, Edge 79+, Firefox 52+		
Video/Audio Input			
IP Video Input	4-ch	8-ch	16-ch
RCA Audio Input	1-ch		
Video/Audio Output			
HDMI Output	4K (3840 × 2160)/30 Hz, 1920 × 1080/60 Hz, 1920 × 1080/50 Hz, 1600 × 1200/60 Hz, 1280 × 1024/60 Hz, 1280 × 720/60 Hz, 1024 × 768/60 Hz		
VGA Output	1920 × 1080/60 Hz, 1920 × 1080/50 Hz, 1600 × 1200/60 Hz, 1280 × 1024/60 Hz, 1280 × 720/60 Hz, 1024 × 768/60 Hz		
RCA Audio Output	1-ch		
Liveview Display	1/4	1/4/6/8/9	1/4/6/8/9/16
Corridor Mode Screen	3/4	3/4/5/7/9	3/4/5/7/9/10/12/16
Two-way Audio			
Two-way Audio	1-ch, RCA (Using the audio input and output)		
Snapshot			
FTP/Schedule/Event Snapshot	4-ch snapshot (max. D1 (720 × 576) video resolution, with D1 snapshot resolution)		
Recording			
Recording Resolution	8 MP/6 MP/5 MP/4 MP/3 MP/1080P/960P/720P/D1/2CIF/CIF		
Synchronous Playback in Local	4-ch	8-ch	16-ch
Smart			
VCA Detection by IPC	Face Detection, SIP (Intrusion Detection, Cross Line Detection, Enter Area, Leave Area), Ultra Motion Detection (UMD), People Counting (People Flow Counting, Crowd Density Monitoring)		
VCA Search	Face Snapshot Search, Motor Vehicle Search, Non-Motor Vehicle Search, Human Body Search, General Search, People Counting Report		
Smart by IPC	Total 4-ch(Face Detection, SIP, UMD)	Total 8-ch(Face Detection, SIP, UMD)	Total 8-ch(Face Detection, SIP, UMD)
Alarm			
General Alarm	Defocus Detection, Scene Change Detection, Object Left Behind, Object Removed, Auto Tracking, Motion Detection, Tampering, Human Body Detection, Video Loss, Alarm Input, Audio Detection		
Alert Alarm	IP Conflict, Network Disconnected, Disk Offline, Disk Abnormal, Illegal Access, Hard Disk Space Low, Hard Disk Full, Recording/Snapshot Abnormal		
GUI Language			

GUI Language	38 languages: Simplified Chinese, Traditional Chinese, English, Vietnamese, Thai, Turkish, Spanish (Latin America), Portuguese (Brazil), Spanish, Portuguese, French, German, Italian, Dutch, Polish, Czech, Hungarian, Slovak, Russian, Hebrew, Arabic, Ukrainian, Estonian, Bulgarian, Greek, Romanian, Danish, Swedish, Norwegian, Finnish, Croatian, Slovenia, Serbia, Korean, Japanese, Latvian, Lithuanian, Persian	38 languages: Simplified Chinese, Traditional Chinese, English, Vietnamese, Thai, Turkish, Spanish (Latin America), Portuguese (Brazil), Spanish, Portuguese, French, German, Italian, Dutch, Polish, Czech, Hungarian, Slovak, Russian, Hebrew, Arabic, Ukrainian, Estonian, Bulgarian, Greek, Romanian, Danish, Swedish, Norwegian, Finnish, Croatian, Slovenia, Serbia, Korean, Japanese, Latvian, Lithuanian, Persian	/
Hard Disk			
SATA	1 SATA Interface		
Capacity	Up to 10 TB for each HDD (The maximum HDD capacity varies with environment temperature and hard disk size)		
External Interface			
Network Interface	1 RJ45 10 M/100 M self-adaptive Ethernet Interface		
USB	Rear panel: 1 x USB3.0, 1 x USB2.0		
RS485	N/A		
RS232	N/A		
Alarm In	N/A		
Alarm Out	N/A		
Power Supply	DC 48 V/1.35 A	DC 52 V/1.8 A	DC 52 V/1.8 A
PoE			
PoE Interface	4 RJ45 10 M/100 M self-adaptive Ethernet Interface	8 RJ45 10 M/100 M self-adaptive Ethernet Interface	8 RJ45 10 M/100 M self-adaptive Ethernet Interface
Max Power	Max 30 W for single port, Max 54 W in total	Max 30 W for single port, Max 75 W in total	Max 30 W for single port, Max 75 W in total
Supported Standard	IEEE 802.3at, IEEE 802.3af		
Working Environment			
Working Temperature	-10 °C to 55 °C (14 °F to 131 °F)		
Working Humidity	≤ 90% RH (non-condensing)		
Power Consumption (without HDD)	≤ 9W		
Dimensions			
Weight (without HDD)	≤ 0.6Kg (1.32lb)	≤ 0.8Kg (1.76lb)	≤ 0.8Kg (1.76lb)
Dimensions	205mm × 205mm × 47mm (8.1"×8.1"×1.8")	270mm × 205mm × 47mm (10.6"×8.1"×1.9")	270mm × 205mm × 47mm (10.6"×8.1"×1.9")

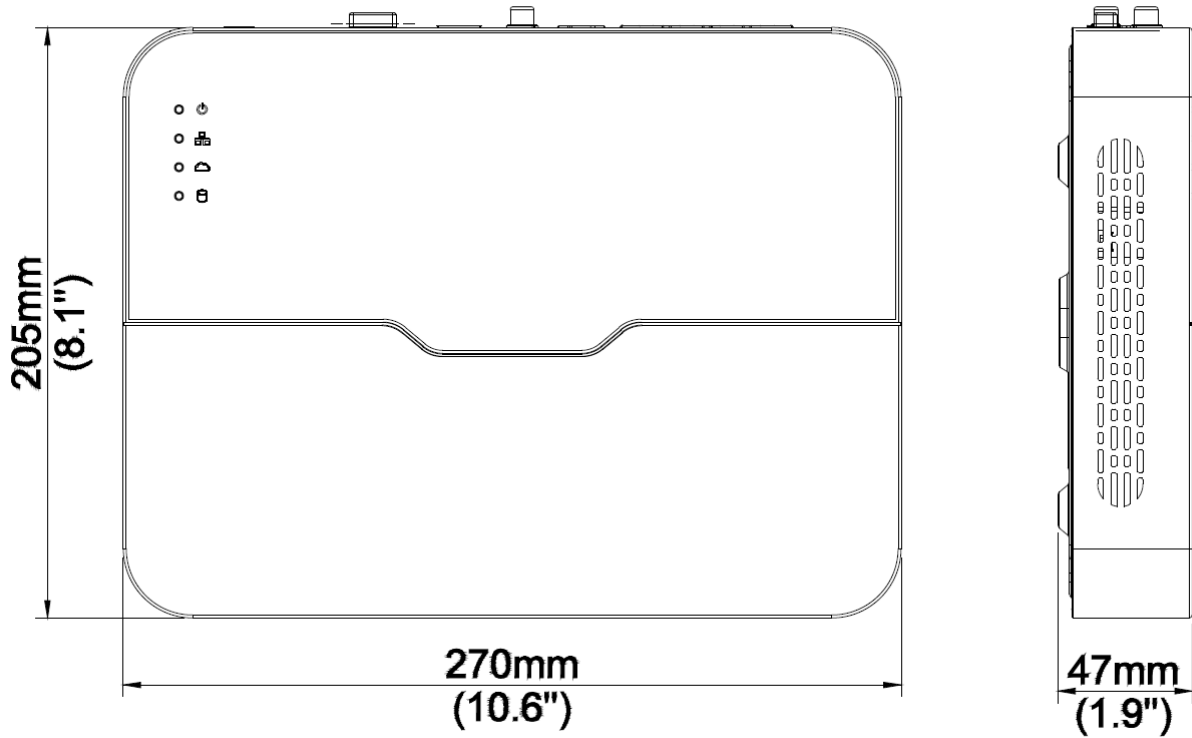
Certification	
Certification	CE; FCC; UL; RoHS; WEEE
CE	EN 55032, EN 61000-3-3, EN IEC 61000-3-2, EN 55035
FCC	Part15 Subpart B

Dimensions

[NVR301-04LX-P4]

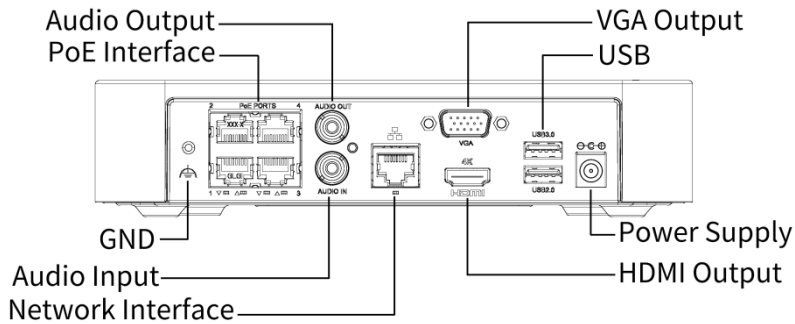


[NVR301-08/16LX-P8]

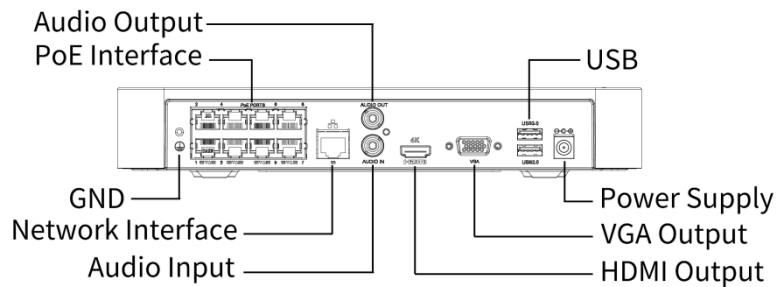


Rear Panel

[NVR301-04LX-P4]



[NVR301-08/16LX-P8]



Unlimited New View

Zhejiang Uniview Technologies Co., Ltd.



<http://www.uniview.com>



overseasbusiness@uniview.com; globalsupport@uniview.com



No. 369, Xietong Road, Xixing Sub-district, Binjiang District, Hangzhou City, 310051, Zhejiang Province, China
(Zhejiang) Pilot Free Trade Zone, China



©2023-2025 Zhejiang Uniview Technologies Co., Ltd. All rights reserved.

*Product specifications and availability are subject to change without notice.

*Despite our best efforts, technical or typographical errors may exist in this document.

Uniview cannot be held responsible for any such errors and reserves the right to change the contents of this document without prior notice.