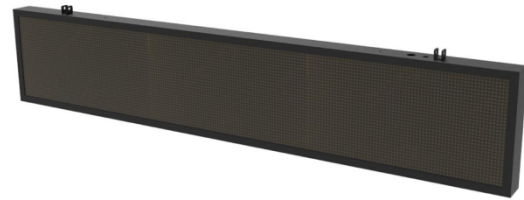


Indoor Tridirectional Parking Guidance Display PKS2503-RG



Features

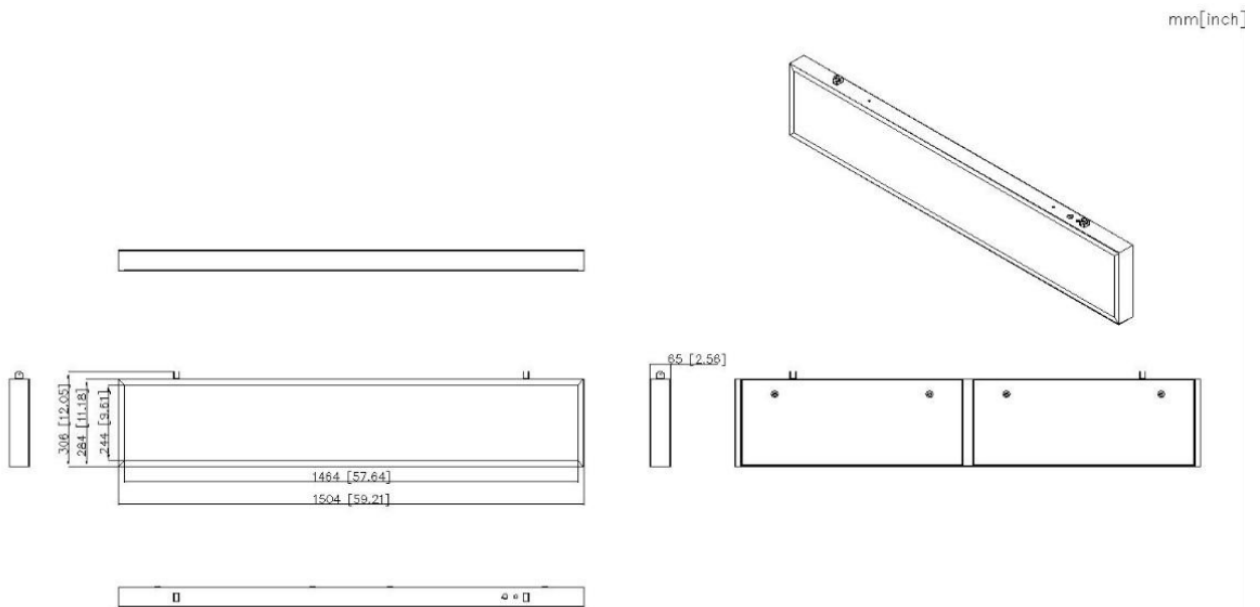
- Supports displaying real-time parking space availability for each direction in red, green, and yellow.
- Displays standard English letters, numerals, and arrow symbols for clear and easy recognition.
- Features a fine pixel pitch for sharp, vivid, and highly legible content.
- Equipped with an RJ45 Ethernet port using TCP/IP communication, enabling easy integration into control systems.

Specifications

Model	PKS2503-RG
Module	
Pixel Pitch	4.75mm
Module Resolution (W × H)	64*32
Display Parameters	
Display size	192*32
Display character	Numbers, letters, symbols
Display color	Red, green, yellow
Processing Image	
Brightness (nits)	1500
Color Temperature (K)	4500 ~ 5500K
Processing performance	
Scanning Mode (S)	16S
Drive Mode	Constant current
Refresh Rate (Hz)	1920

Interface	
Network interface	100M*1
Serial port	RS485*1
Electrical	
Power Supply	AC100 ~ 240V
General	
Product Dimensions (W × H × D) (mm)	1504*306*65
Ingress Protection	IP31
Operating Temperature	-20°C ~ 50°C
Operating Humidity	10% ~ 95% RH (no condensation)
Accessories Included	Hanging rod *2, Key*2, Quick guide*1

Dimensions



Unlimited New View

Zhejiang Uniview Technologies Co., Ltd.

 <http://www.uniview.com>

 overseasbusiness@uniview.com; globalsupport@uniview.com

 No. 369, Xietong Road, Xixing Sub-district, Binjiang District, Hangzhou City, 310051, Zhejiang Province, China



©2023-2025 Zhejiang Uniview Technologies Co., Ltd. All rights reserved.

*Product specifications and availability are subject to change without notice.

Despite our best efforts, technical or typographical errors may exist in this document. Uniview cannot be held responsible for any such errors and reserves the right to change the contents of this document without prior notice.